

JVC®

The Perfect Experience / —
/

0.05 lx * **Super LoLux™**
(in B&W mode)

0.4 lx * **Super LoLux™**
(in color mode)

1/3" CCD COLOR VIDEO CAMERA

TK-C925U

(24 VAC/12 VDC)

Day and Night camera with 540 TV lines resolution and IR-cut filter switching function

Display mode (CRT or LCD)



**540 TV Lines
True Day/Night**

IR ON/OFF function ▶ The camera's IR cut filter switches itself automatically on or off according to whether it is day or night. Thus one single camera can be used for unattended 24 hr operation, providing color images by day and B&W by night.

- 1/3" IT CCD with 380,000 effective pixels
- 540 TV lines horizontal resolution
- Day and Night function (IR-cut filter switching)
- Super LoLux™ sensitivity
 - 0.4 lx (F1.2, AGC ON, 25 IRE, color mode)
 - 0.05 lx (F1.2, AGC ON, 25 IRE, B&W mode)
- Signal-to-noise ratio: 50 dB (AGC OFF)
- Revolutionary integrated 10-bit digital signal processor (DSP)
- Full-featured security camera
 - Built-in camera menu
 - Various White Balance modes (2 ATW modes/AWC/Manual)
- Display mode: select CRT or LCD
- Automatic Gain Control (AGC): OFF/HIGH/SUPER/FIXED
- Back Light Compensation (BLC): OFF/ON (4 patterns)
- Sync systems: INT/Line Lock
- Focus Adjust function
- Supports DC/Video iris lens
- C/CS mount lens-compatible
- Built in AUX terminal
- Automatic Power Detection (24 VAC/12 VDC)

The TK-C925U is true day/night camera with 540 TV lines resolution, allowing for 24-hour monitoring across a broad range of indoor and outdoor applications.

The demand for surveillance grows year by year amid increasing calls for higher monitoring sensitivity and image quality for both indoors and outdoors. The TK-C925U achieves exceptional sensitivity and image quality for 24-hour outdoor monitoring.

Super LoLux Sensitivity

The TK-C925U features a 1/3" Interlines Transfer CCD. Advanced technologies and digital signal processing deliver totally pure color reproduction, and an excellent 50 dB signal-to-noise ratio. Furthermore, the IR-cut filter switching function realizes very low light sensitivity of 0.05 lx in the B&W mode.

Display Mode

While only CRT monitors were once used for CCTV applications. Due to the recent trend toward flat panel displays, LCD monitors are now commonly used for CCTV. Therefore, JVC has incorporated CRT and LCD monitor modes into the cameras to match the camera.

Automatic White Balance

Cameras are operated in a diverse range of environments. JVC provides two Automatic White Balance modes to handle monitoring in a variety of color temperature conditions outdoors. White balance can also be set up manually.

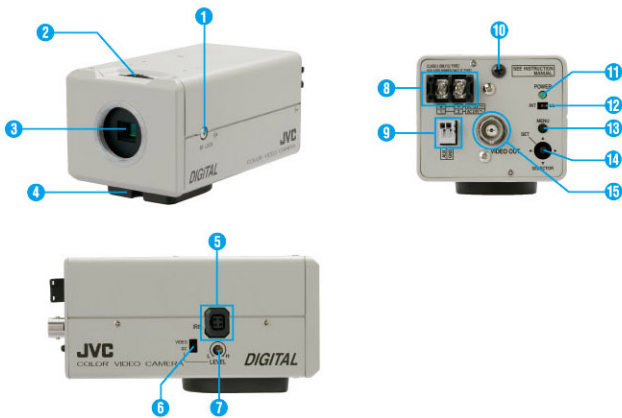
Focus Adjustment Function

When the focus adjustment function is turned ON, focusing is conducted with the lens iris fully open for about 30 seconds before returning to its original position. This results in a shallow depth of field (high-speed shutter) and simplifies focus adjustment.

Specifications

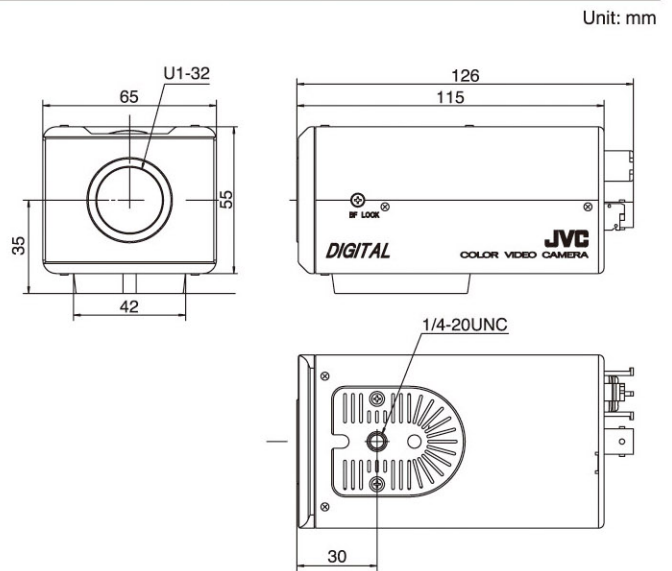
Item	TK-C925U
Pick-up Device	1/3" IT CCD
Effective Pixels	768 (H) × 494 (V)
Synchronization	Internal, line-locked
Line-locked Phase	Adjustable
Video output	1.0 V (p-p), 75 Ω, BNC
Horizontal Resolution	540 TV lines
Signal to Noise Ratio	50dB (TYP) at AGC OFF
Minimum illumination	
Color mode:	0.4 lx (25%, F1.2, AGC SUPER)
B&W mode:	0.05 lx (25%, F1.2, AGC SUPER)
AUX Input/Output	Input: B/W mode selection input Output: B&W/Color output B/W: make Color: break
Camera Menu	Built-in
Focus Adjust Switch	By menu
Gain Control	OFF/ON (HIGH/SUPER/FIXED)
White Balance	ATW (wide/narrow)/AWC/Manual
Display Mode	CRT or LCD selectable
Electronic Shutter	Manual/Normal (1/60 s)/AES (1/60~1/10000 s)
Iris Level	Adjustable
BLC	ON/OFF
Auto Iris Lens Control	DC/Video
Lens Mount	C or CS
Power Source	24V AC (60Hz)/12V DC
Power Consumption	4.8W
Ambient Temperature	14°F to 122°F (-10°C to 50°C)
Dimensions	2-1/2" (W) × 2-1/8" (H) × 5" (D) (Approx.) (65 (W) × 55 (H) × 126 (D) mm)(Approx.)
Weight	Approx. 0.88 lbs (480 g)

Controls, connectors and indicators



- 1 Back focus fastening screw
- 2 Back focus adjustment ring
- 3 Lens mount
- 4 Camera-mounting bracket
- 5 Iris terminal
- 6 Iris selector switch
- 7 Iris level adjustment dial
- 8 Power input terminal
- 9 External terminals
- 10 Mounting screw for fall prevention wire
- 11 Power indicator lamp
- 12 Selector switch for synchronizing system
- 13 Menu button
- 14 Selector switch/Set button
- 15 Video signal output connector

Dimensions



Design and specifications subject to change without notice.

JVC®

DISTRIBUTED BY



■ The Hachioji Plant of Victor Company of Japan, Ltd., has received ISO14001 and ISO9001 Certifications under the global standard for environmental management.