



PRELIMINARY

# VF-HP840U

8.4" LCD Studio Viewfinder

## *New Product News*



- 8.4" XGA (1024x768) Color LCD viewfinder
- HD/SD and 50/60Hz multi format display
- Video interface and power supply via single multicore cable
- Assignable 2-pattern zebra, aspect marker and safety zone indications

- Brightness / Contrast / Peaking adjustments
- Return video input (B/W: SD composite or HD component Y signal)
- Patented Focus assist and 1:1 pixel scanning functions
- Large front tally (ON/OFF selectable) and rear tally (Program / Preview) indications

## Functions and specifications

### Functions

**Brightness adjustment**

**Contrast adjustment**

**Peaking adjustment**

**Peaking frequency:** High / Middle / Low

**Front tally:** ON / OFF

**Rear tally:** Program / Preview

**Focus assist:** ON / OFF

**Focus assist color:** Blue / Red / Green

**Focus assist level:** High / Middle / Low

**1:1 pixel scanning:** ON / OFF

**Safety zone:** 16:9 / 14:9 / 4:3 / 16:9+4:3 / 2.35:1 / 1.85:1 / 1.75:1 / 1.66:1

**Safety marker:** 95% / 93% / 90% / 88% / 80% / OFF

**Aspect marker:** Line / Halftone / Line+Halftone

**Center marker:** ON / OFF

**Zebra indication select:** Range / Over / OFF

**Zebra indication range:** Upper: 60-100% (5% step) / Over Lower: 60-100% (5% step) / Under

**Video input select:** Component (HD/SD) / RGB (SD) / Auto

**Return video (B/W):** SD, HD Y signal (analog)

### General

**Contrast ratio:** 500:1

**Maximum brightness:** 300 cd

**Power input:** XLR 4-pin or Round 20-pin

**Power requirements:** DC 12 V

**Power consumption:** 12 W

**Operating temperature:** -5°C to +40°C (+23°F to +104°F)

**Storage temperature:** -20°C to +60°C (-4°F to +140°F)

**Operating humidity:** 30% to 80% RH

**Dimensions (W x H x D):** 256x243x96 mm (without hood)  
(10-3/32" x 9-9/16" x 3-25/32")

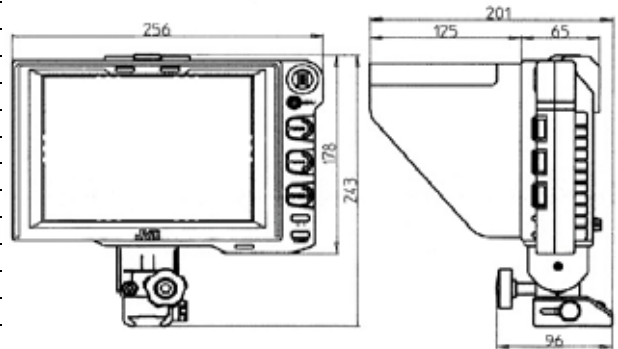
**Mass:** Approx. 2.0 kg (4.4 lbs)

### Accessories

**Hoodx1, Connection cable for KA-HD250Ux1**

## Dimensions

(mm)



## Rear panel

