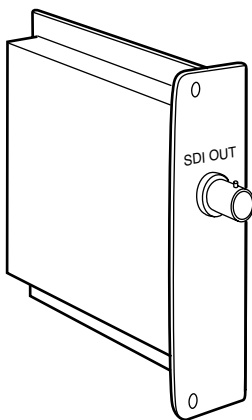




SDI OUTPUT CARD

KA-F5601U

INSTRUCTIONS



This instructions book is made from 100% recycled paper.

Thank you for purchasing this JVC product. Before operating this unit, please read the instructions carefully to ensure the best possible performance.

For Customer Use:

Enter below the Serial No. which is located on this unit. Retain this information for future reference.

Model No. KA-F5601U _____

Serial No. _____

IMPORTANT SAFEGUARDS

1. Read all of these instructions.
2. Save these instructions for later use.
3. All warnings on the product and in the operating instructions should be adhered to.
4. Unplug this appliance system from the wall outlet before cleaning. Do not use liquid cleaners or aerosol cleaners. Use a damp cloth for cleaning.
5. Do not use attachments not recommended by the appliance manufacturer as they may cause hazards.
6. Do not use this appliance near water – for example, near a bathtub, washbowl, kitchen sink, or laundry tub, in a wet basement, or near a swimming pool, etc.
7. Do not place this appliance on an unstable cart, stand, or table. The appliance may fall, causing serious injury to a child or adult, and serious damage to the appliance.


PORTABLE CART WARNING
(symbol provided by RETAC)




S3125A

- Use only with a cart or stand recommended by the manufacturer, or sold with the appliance.
- Wall or shelf mounting should follow the manufacturer's instructions, and should use a mounting kit approved by the manufacturer.
- An appliance and cart combination should be moved with care. Quick stops, excessive force, and uneven surfaces may cause the appliance and cart combination to overturn.
8. Slots and openings in the cabinet and the back or bottom are provided for ventilation, and to insure reliable operation of the appliance and to protect it from overheating, these openings must not be blocked or covered. The openings should never be blocked by placing the appliance on a bed, sofa, rug, or other similar surface. This appliance should never be placed near or over a radiator or heat register. This appliance should not be placed in a built-in installation such as a bookcase unless proper ventilation is provided.
 9. This appliance should be operated only from the type of power source indicated on the marking label. If you are not sure of the type of power supplied to your home, consult your dealer or local power company. For appliance designed to operate from battery power, refer to the operating instructions.
 10. This appliance system is equipped with a 3-wire grounding type plug (a plug having a third (grounding) pin). This plug will only fit into a grounding-type power outlet. This is a safety feature. If you are unable to insert the plug into the outlet, contact your electrician to replace your obsolete outlet. Do not defeat the safety purpose of the grounding plug.
 11. For added protection for this product during a lightning storm, or when it is left unattended and unused for long periods of time, unplug it from the wall outlet and disconnect the antenna or cable system. This will prevent damage to the product due to lightning and power-line surges.
 12. Do not allow anything to rest on the power cord. Do not locate this appliance where the cord will be abused by persons walking on it.
 13. Follow all warnings and instructions marked on the appliance.
 14. Do not overload wall outlets and extension cords as this can result in fire or electric shock.
 15. Never push objects of any kind into this appliance through cabinet slots as they may touch dangerous voltage points or short out parts that could result in a fire or electric shock. Never spill liquid of any kind on the appliance.
 16. Do not attempt to service this appliance yourself as opening or removing covers may expose you to dangerous voltage or other hazards. Refer all servicing to qualified service personnel.
 17. Unplug this appliance from the wall outlet and refer servicing to qualified service personnel under the following conditions:
 - a. When the power cord or plug is damaged or frayed.
 - b. If liquid has been spilled into the appliance.
 - c. If the appliance has been exposed to rain or water.
 - d. If the appliance does not operate normally by following the operating instructions. Adjust only those controls that are covered by the operating instructions as improper adjustment of other controls may result in damage and will often require extensive work by a qualified technician to restore the appliance to normal operation.
 - e. If the appliance has been dropped or the cabinet has been damaged.
 - f. When the appliance exhibits a distinct change in performance – this indicates a need for service.
 18. When replacement parts are required, be sure the service technician has used replacement parts specified by the manufacturer that have the same characteristics as the original part. Unauthorized substitutions may result in fire, electric shock, or other hazards.
 19. Upon completion of any service or repairs to this appliance, ask the service technician to perform routine safety checks to determine that the appliance is in safe operating condition.

SAFETY PRECAUTIONS (FOR USA AND CANADA)



CAUTION
RISK OF ELECTRIC SHOCK
DO NOT OPEN




CAUTION: TO REDUCE THE RISK OF ELECTRIC SHOCK,
DO NOT REMOVE COVER (OR BACK).
NO USER-SERVICEABLE PARTS INSIDE.
REFER SERVICING TO QUALIFIED SERVICE PERSONNEL





ATTENTION
RISQUE D'ELECTROCUTION
NE PAS OUVRIR




ATTENTION: POUR EVITER TOUT RISQUE D'ELECTROCUTION
NE PAS OUVRIR LE BOITIER.
AUCUNE PIECE INTERIEURE N'EST
A REGLER PAR L'UTILISATEUR.
SE REFERER A UN AGENT QUALIFIE EN CAS DE PROBLEME.

 The lightning flash with arrowhead symbol, within an equilateral triangle, is intended to alert the user to the presence of uninsulated "dangerous voltage" within the product's enclosure that may be of sufficient magnitude to constitute a risk of electric shock to persons.

 The exclamation point within an equilateral triangle is intended to alert the user to the presence of important operating and maintenance (servicing) instructions in the literature accompanying the appliance.

 Le symbole de l'éclair à l'intérieur d'un triangle équilatéral est destiné à alerter l'utilisateur sur la présence d'une "tension dangereuse" non isolée dans le boîtier du produit. Cette tension est suffisante pour provoquer l'électrocution de personnes.

 Le point d'exclamation à l'intérieur d'un triangle équilatéral est destiné à alerter l'utilisateur sur la présence d'opérations d'entretien importantes au sujet desquelles des renseignements se trouvent dans le manuel d'instructions.

*Ces symboles ne sont utilisés qu'aux Etats-Unis.

WARNING:
TO REDUCE THE RISK OF FIRE OR ELECTRIC SHOCK, DO NOT EXPOSE THIS APPLIANCE TO RAIN OR MOISTURE.
This unit should be used with 12 VDC only.
CAUTION:
To prevent electric shocks and fire hazards, DO NOT use any other power source.

NOTE:
The rating plate (serial number plate) is on this unit.

INFORMATION
This equipment has been tested and found to comply with the limits for a Class B digital device, pursuant to Part 15 of the FCC Rules. These limits are designed to provide reasonable protection against harmful interference in a residential installation. This equipment generates, uses, and can radiate radio frequency energy and, if not installed and used in accordance with the instructions, may cause harmful interference to radio communications. However, there is no guarantee that interference will not occur in a particular installation. If this equipment does cause harmful interference to radio or television reception, which can be determined by turning the equipment off and on, the user is encouraged to try to correct the interference by one or more of the following measures:

- Reorient or relocate the receiving antenna.
- Increase the separation between the equipment and receiver.
- Connect the equipment into an outlet on a circuit different from that to which the receiver is connected.
- Consult the dealer or an experienced radio/TV technician for help.

CAUTION
CHANGES OR MODIFICATIONS NOT APPROVED BY JVC COULD VOID USER'S AUTHORITY TO OPERATE THE EQUIPMENT.

THIS DEVICE COMPLIES WITH PART 15 OF THE FCC RULES. OPERATION IS SUBJECT TO THE FOLLOWING TWO CONDITIONS: (1) THIS DEVICE MAY NOT CAUSE HARMFUL INTERFERENCE, AND (2) THIS DEVICE MUST ACCEPT ANY INTERFERENCE RECEIVED, INCLUDING INTERFERENCE THAT MAY CAUSE UNDESIRE OPERATION.

AVERTISSEMENT:
POUR EVITER LES RISQUES D'INCENDIE OU D'ELECTROCUTION, NE PAS EXPOSER L'APPAREIL A L'HUMIDITE OU A LA PLUIE.
Cet appareil ne doit être utilisé sur 12 V en courant continu.
ATTENTION:
Afin d'éviter tout resque d'incendie ou d'électrocution, ne pas utiliser d'autres sources d'alimentation électrique.

REMARQUE:
La plaque d'identification (numéro de série) se trouve sur l'appareil.

**INFORMATION (FOR CANADA)
RENSEIGNEMENT (POUR CANADA)**

This Class B digital apparatus complies with Canadian ICES-003.

Cet appareil numérique de la Class B est conforme à la norme NMB-003 du Canada.

SAFETY PRECAUTIONS (FOR EUROPE)

WARNING:

TO REDUCE THE RISK OF FIRE OR ELECTRIC SHOCK, DO NOT EXPOSE THIS APPLIANCE TO RAIN OR MOISTURE.

This unit should be used with 12V DC only.

CAUTION:

To prevent electric shocks and fire hazards, do NOT use any other power source.

Note:

The rating plate (serial number plate) is on this unit.

CAUTION

To prevent electric shock, do not open the cabinet. No user serviceable parts inside. Refer servicing to qualified service personnel.

This equipment is in conformity with the provisions and protection requirements of the corresponding European Directives. This equipment is designed for professional video appliances and can be used in the following environments:

- Residential (including both of the location type class 1 and 2 found in IEC 1000-2-5)
- Commercial and light industrial (including, for example, theatres)
- Urban outdoors (based on the definition of location type class 6 in IEC 1000-2-5)

This apparatus is designed for rack mounting or is used close to other apparatus.

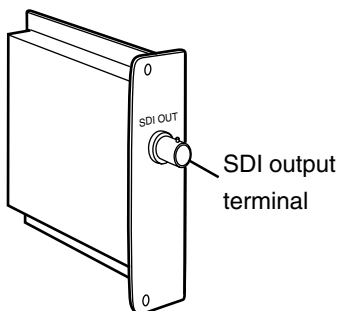
In order to keep the best performance and furthermore for electromagnetic compatibility we recommend to use cables not exceeding the following lengths:

Port	Cable	Length
SDI OUT	Coaxial Cable	5 meters

Caution:

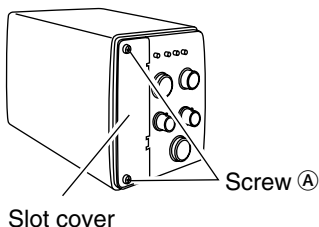
- Where there are strong electromagnetic waves or magnetism, for example near a radio or TV transmitter, transformer, motor, etc., the picture and sound may be disturbed. In such a case, please keep the apparatus away from the sources of the disturbance.

Thank you for purchasing the KA-F5601U SDI output card.



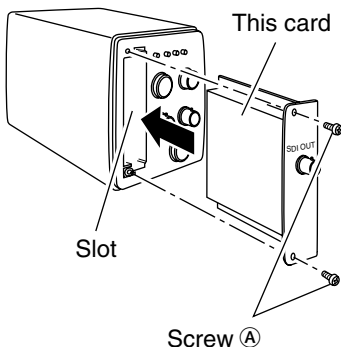
- By inserting this card into JVC's color video camera KY-F560, camera images could be output as serial digital video signal (SMPTE 259M compliant).

Mounting this card on KY-F560 Camera



FY-F560 power must be switched off before mounting the card.

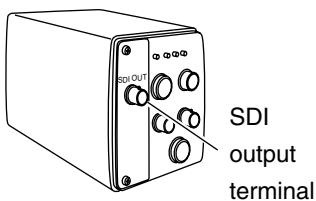
1. Remove 2 screws (A) from the rear of the camera and take out the slot cover.



2. Insert this SDI output card into the slot at the rear of the camera and secure it by screwing back the 2 screws (A) which were taken out earlier in the above-mentioned step 1.

Note

Ensure that the SDI output card is inserted all the way in.



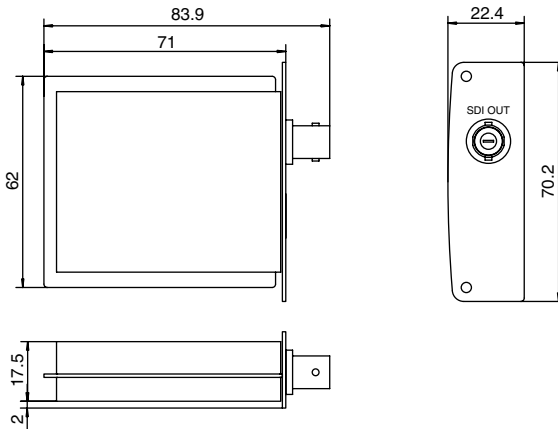
Note to be taken after mounting KY-F560

To avoid causing malfunction, please do not touch the SDI output terminal except when connecting cable to it.

Specifications

- SDI Output signal : Serial digital signal (SMPTE259M compliant)
800 mVp-p, 75 Ω , Unbalanced (Cable length: Maximum 5 m)
- Power supply : Supplied by camera
- Power consumption : 9.6 W (Include KY-F560 camera)
- Operating temperature range : -5 °C to 40 °C (Humidity below 80 %)
- Dimensions : (W) 22.4 mm x (H) 70.2 mm x (D) 71 mm (Exclude protruded part)
- Weight : 60 g
- Accessories and attachments : Instruction Manual

■Dimensions (unit: mm)

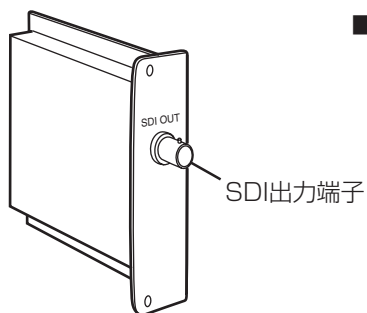


Specification and appearance of this unit are subject to change for further improvement without prior notice.

KA-F5601U SDI出力カード

このたびは、KA-F5601U SDI出力カードを
ご購入いただき、ありがとうございます。

- 私たちは環境・資源を大切にしています。この取扱説明書は再生紙(古紙100%)を使用しています。

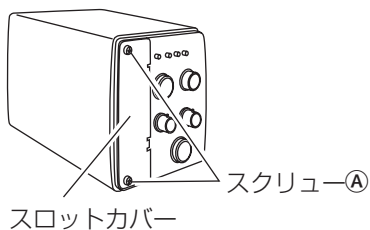


- このカードは、当社カラービデオカメラKY-F560に取り付けることにより、カメラ映像をシリアルデジタルビデオ信号(SMPTE259M準拠)で出力します。

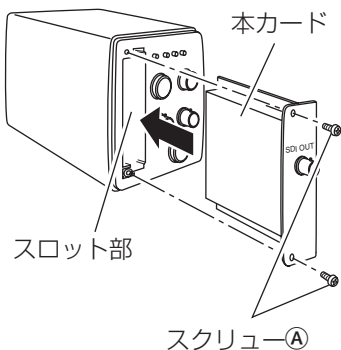
KY-F560カメラに本カードを取り付ける

取付は、必ずKY-F560カメラの電源を切ってから行なってください。

1. カメラ背面部のスクリー①2本を外し、スロットカバーを外します。



2. 本カードをカメラ背面のスロット部に挿入し、上記手順1.で外したスクリー①2本を用いてカメラに固定します。

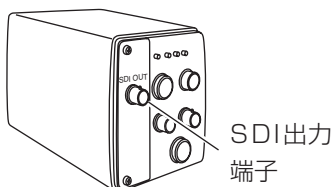


メモ

本カードは奥まで確実に挿入してください。

KY-F560カメラ取り付け後のご注意

故障を防ぐため、ケーブルを接続するとき以外はSDI出力端子に触らないでください。



保証とアフターサービス

保証書の記載内容で確認と保存について

この商品には保証書を別途添付してあります。保証書はお買い上げ販売店でお渡ししますので、所定事項の記載および記載内容をご確認いただき、大切に保存してください。

■ 保証期間について

保証期間はお買い上げ日より1年間です。

以後は有償修理となります。

保証書の記載内容によりお買い上げ販売店が修理いたします。

なお、修理保証以外の補償はいたしかねます。

故障その他による営業上の機会損失は致しません。

その他詳細は保証書をご覧ください。

■ 保証期間経過後の修理について

保証期間経過後の修理については、お買い上げ販売店にご相談ください。修理によって機能が維持できる場合は、お客様のご要望により有料にて修理いたします。

■ アフターサービスについてのお問い合わせ先

アフターサービスについてご不明の点は、お買い上げ販売店または別紙業務機器ビクターサービス窓口案内をご覧くださいの上、最寄りの業務機器ビクターサービス窓口にご相談ください。

■ 商品廃棄について

この商品を廃棄する場合は、法令や地域の条例に従って適正に処理してください。

■ 修理を依頼されるときは

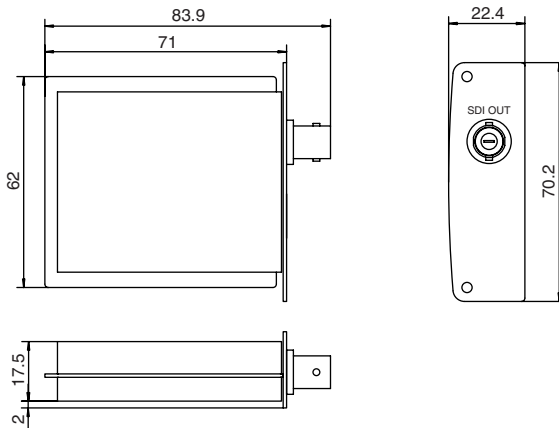
調子が悪いときは、この取扱説明書をもう一度ご覧になってお調べください。簡単な調整で直ることがあります。それでも具合が悪いときは、お買い上げ販売店またはビクターサービスにご相談ください。

- 機種名:KA-F5601U
- 故障の状態をできるだけ詳しく:
- ご購入年月日:
- ご住所、ご氏名、電話番号:

仕様

- SDI出力信号 : シリアルデジタル信号(SMPTE259M準拠)
800 mVp-p、75 Ω、不平衡(ケーブル長:最大5 m)
- 電源供給 : カメラより供給
- 消費電力 : 9.6 W (KY-F560カメラ含む)
- 使用温度範囲 : -5 °C~40 °C(湿度80%以下)
- 外形寸法 : (W) 22.4 mm x (H) 70.2 mm x (D) 71 mm (突起部含まず)
- 質量 : 60 g
- 付属品、添付物 : 取扱説明書

■外形寸法図(単位:mm)



仕様および外観は改良のため、予告なく変更することがありますのでご了承ください。

お客様ご相談センター

フリーダイヤル



0120-2828-17

携帯電話・PHS・FAXなどからのご利用は

電話 **(03)5684-9311** [代表]

FAX **(03)5684-9317**

〒113-0033 東京都文京区本郷3丁目14-7 ビクター本郷ビル

日本ビクター株式会社

プロシステムカンパニー

〒192-8620 東京都八王子市石川町2969-2 電話 (0426) 60-7245

