

JVC[®]

PROFESSIONAL

1/3" CCD CAMERA BUILT-IN TWISTED
PAIR INTERFACE

TK-C720TPU

(24V AC/12V DC)

High Resolution DSP Color Camera with Video
Transmission via Unshielded Twisted Pair Cable



Where Cat 5 or Unshielded Twisted Pair cable is utilised, installation costs of the TK-C720TPU will be low. Either the building will already have Cat 5 cabling or inexpensive new cable can be used. Installation is simple. According to the make and model of TP Receiver, cable runs of up to 2,952ft.(900m) are achievable. Twisted-pair transmission systems will integrate seamlessly with existing coaxial video installations.

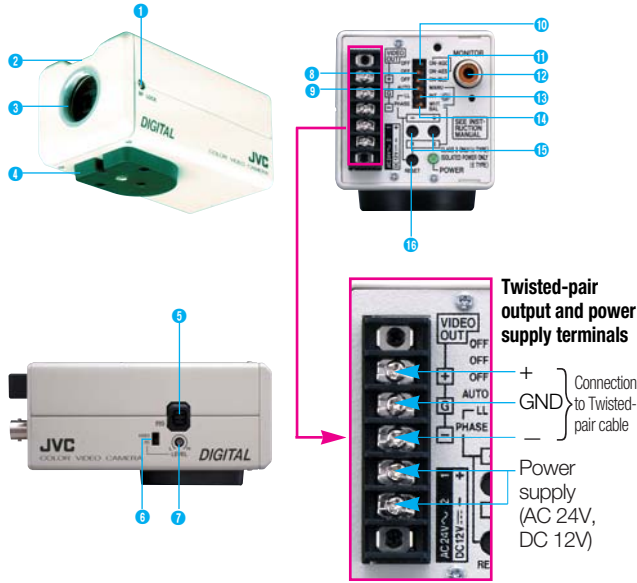
An important factor in JVC's proven track record for high picture quality is the use of coaxial cable for transmission of the video signal. JVC's advanced imaging technology and know-how make it now possible to achieve the same level of signal quality using simple, unshielded Cat 5 twisted-pair cable or standard conventional telephone cable. The twisted-pair cable must always be of the unshielded type. The TK-C720TPU is able to satisfy existing users of twisted-pair cable with excellent picture quality and high reliability, based on JVC's advanced imaging technologies and know-how.

* The TK-C720TPU will operate with various receivers on the market, the specifications of which can vary. Already specially tested and approved are the receivers made by NVT and NITEK (see chart on next page).

- 1/3" CCD with 9 bit Digital Signal Processor
- 470 TVL resolution
- 1.5 lux sensitivity (at 25% video)
- S/N 50dB (AGC OFF)
- Switchable AGC

- Sync selectable: INT or LL
- Video connection via twisted-pair
- AC 24V or DC 12V
- Monitor output for local camera adjustment

Controls, connectors and indicators



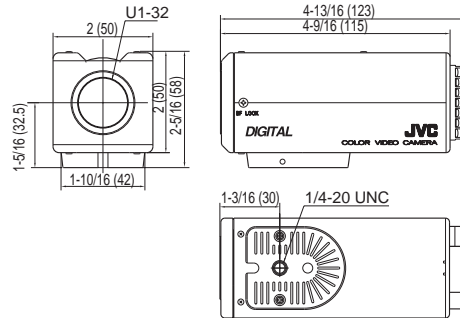
- 1 BACK FOCUS locking screw
- 2 BACK FOCUS adjustment and C/CS mount selector ring
- 3 Lens mount (C or CS)
- 4 Camera mounting bracket
- 5 IRIS connector
- 6 VIDEO/DC IRIS switch
- 7 LEVEL volume
- 8 AUTOMATIC ELECTRONIC SHUTTER switch
- 9 WHITE BALANCE select switch
- 10 AUTOMATIC GAIN CONTROL switch
- 11 BACKLIGHT
- 12 Output for camera set-up
- 13 LL/INT select switch
- 14 PHASE/W.B. select switch
- 15 PHASE/W.B. adjustment button
- 16 RESET button

Specifications

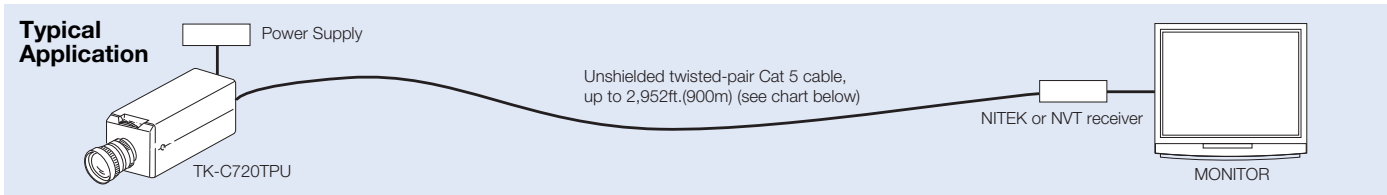
| | |
|-------------------------------|--|
| Signal system | Based on NTSC standard |
| Pickup device | 1/3" Interline-Transfer CCD |
| Number of effective pixels | 380,000 (768 H x 494 V) |
| Pickup area | 4.8 mm (H) x 3.6 mm (V) |
| Sync system | Internal or Line Lock (60 Hz regions only) |
| Scanning frequency | (H) 15.734 kHz (V) 59.94 Hz |
| Video output | Balanced video (twisted-pair): 1.2V(p-p), 100 ohms, ±10% |
| Output for camera set-up | Video (via RCA jack Monitor): 1.0V(p-p), 75 ohms, ±10% |
| Video S/N | 50 dB (AGC OFF) |
| Horizontal resolution | 470 TV lines |
| Minimum required illumination | 1.5 lux (F1.2 AGC ON) — Video level 25% |
| Lens mount | C/CS mount |
| Power requirement | AC 24V, 60 Hz, DC 12V |
| Power consumption | 360mA |
| Operating temperature range | 14°F to 122°F/-10°C to 50°C 32°F to 104°F/0°C to 40°C (recommended) |
| Weight | 1.0 lbs. (380g) |

Dimensions

Unit: inches (mm)



Twisted-Pair Configuration

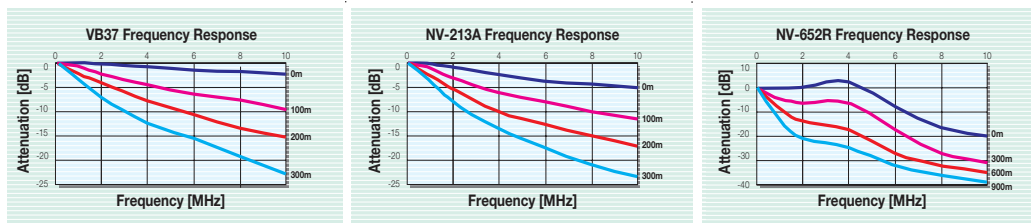


Recommended Receiver

| Manufacture | Model No. | Type | Attenuation | Frequency response | Distance |
|-------------|-----------|---------|-------------------------|--------------------|------------------------------|
| NITEK | VB37 | Passive | 0.5dB | DC to 10MHz | 0 to 984 ft.(0 to 300 m) |
| NVT | NV-213A | Passive | 0.5dB | DC to 5MHz | 0 to 984 ft.(0 to 300 m) |
| NVT | NV-652R | Active | Built-in amp adjustable | DC to 5MHz | 0 to 2,952 ft.(0 to 900 m) |

Recommended Cable Unshielded twisted-pair Wire gauge 0.5mm (24 AWG) or Thicker Category type 5

Frequency Response



Note: These frequency responses are measured by using TK-C720TPU. (reference values)

JVC®

DISTRIBUTED BY

Design and specifications subject to change without notice.

JVC PROFESSIONAL PRODUCTS COMPANY

DIVISION OF JVC AMERICAS CORP.

1700 Valley Road, Wayne, N.J. 07470

TEL: (973) 317-5000, (800) 582-5825

FAX: (973) 317-5030

Internet Web Site <http://www.jvc.com/pro>

E-mail: proinfo@jvc.com

JVC CANADA INC.

21 Finchdene Square, Scarborough, Ontario M1X 1A7

TEL: (416) 293-1311 FAX: (416) 293-8208

Internet Web Site <http://www.jvcpro.com/>

Printed in Japan

KCN-1813

CETKC720TPUKN0303