

JVC

1/3" CCD COLOR VIDEO CAMERA

TK-C8301RU TK-C2301WPRU



SuperLoLux™

COLOR IN VIRTUAL ZERO LUX



600 TV Lines
IR LED
Compact Design



High-Resolution of 600 TV Lines

Newly developed 14-bit DSP enables industry-leading high quality pictures

Super LoLux™ Sensitivity

0.025 lx at color mode (25% video level, F1.2, AGC HIGH)
0.003 lx at B&W mode (25% video level, F1.2, AGC HIGH)
0 lx (with IR LED)

Industry-leading S/N Ratio of 52dB

ExDR Plus – Advanced Wide Dynamic Range

JVC-original technology to reproduce clearer images for both bright and dark areas

Clear 5 Meter (16 ft) IR LED, 65 ft Max. IR Distance

Ideal for installation near entrances with diffusion type IR LED enabling exposure without halation

3D Noise Reduction

Powerful system to reduce noise in dark environments

Area White Balance

New function that can apply Auto White Balance to a specific area

Auto Black Adjustment

Intelligent adjustment for dark areas to provide images without black out

Fine Focus Adjustment Technology

Newly developed mechanism for finer and more accurate focus adjustment

Outdoor-Ready Vandal and Tamper Proof Design (IP66 Compliant)*

* TK-C2301WPRU

An Array of Features to Suit Any Environment

- Automatic Gain Control (AGC)
- Automatic Electronic Shutter (AES)
- 4 Area Patterns for Backlight Compensation (BLC)
- Up to 128x Slow Shutter
- Intelligent Black Level Adjustment avoiding black out of dark areas
- Manual and Auto Tracking White Balance
- 1.2x/2.0x Digital Zoom
- Motion Detect capability
- Privacy Mask for protecting intrusive monitoring
- Display Mode Selection for CRT and LCD
- CCD White Spot Compensation
- Focus Adjustment Mode for accurate focusing
- Triple Axis Rotation for flexible lens angle adjustment
- Optional heater unit for use at low temperatures of down to -30°C (-22°F)
- 24VAC/12VDC Dual Voltage

Reliable Day & Night Surveillance with High-Resolution Images and Precise Color Reproduction

Super LoLux™ "COLOR IN VIRTUAL ZERO LUX"

This camera has been designed to assure precise color reproduction in low light situations. It is possible to identify image colors in darker places.



Normal camera



JVC Super LoLux™

Clear 5 Meter (16 ft) IR LED, 65 ft Max. IR Distance

Equipped with an IR LED light tuned for optimal results in observing scenes at a distance of about 16 feet, such as entranceways. This dispersion type light illuminates a wide area and exposes subjects that are at close range including people, without white-out reflection.



Normal strong IR LED



JVC Clear 5 Meter IR LED

ExDR Plus

ExDR (Extended Dynamic Range) Plus function is able to clearly display people and characters in the foreground even when they're up against an extremely brightly lit background. And to make the dark parts of the image more clearly visible, it combines Dual Shutter with AGC function to achieve optimal image quality throughout the entire picture.



Normal image



ExDR Plus

Fine Focus Adjustment Technology

For assisting focusing to the finest point, the Variable-Focal lens now incorporates a newly developed focus gear mechanism (Patent Pending).



New "Fine Adjust" mechanism
With a very subtle movement, finer, more accurate adjustment is possible.
Normal Focus ring lock screw possible.

Patent Pending

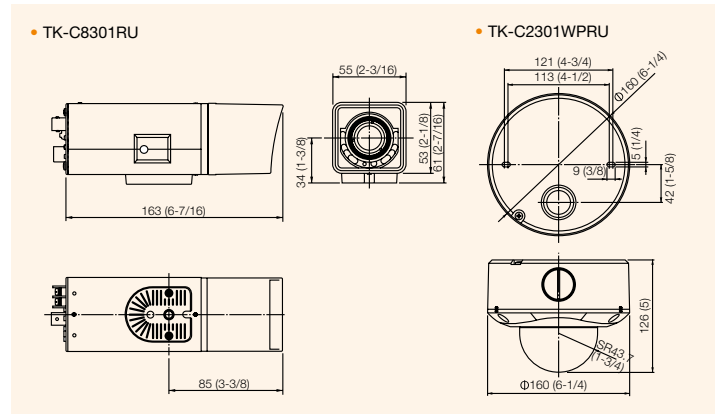
Note: Screen images are for explanatory purposes, and are not actual images attained using this product. All brand or product names may be trademarks and/or registered trademarks of their respective owners.
Copyright© 2012, JVC KENWOOD Corporation

Specifications

| | TK-C8301RU | TK-C2301WPRU |
|--------------------------------|---|--|
| Camera | | |
| Signal system | NTSC | |
| Image device | 1/3 type IT CCD | |
| No. of effective pixels | 380,000 (768H x 494V) | |
| Sync system | Internal | |
| Scanning system | 2:1 interlace, 525 lines | |
| Scanning frequency | 15.734kHz (H), 59.94Hz (V) | |
| Video output | Composite video signal: 1.0V (p-p), 75 ohms (BNC) | |
| Video S/N ratio | 52 dB (AGC off) | |
| Horizontal resolution | 600 TV lines | |
| Minimum illumination (typical) | 0.05 lx (50%, F1.2, AGC HIGH) 0.025 lx (25%, F1.2, AGC HIGH) | |
| B&W mode | 0.006 lx (50%, F1.2, AGC HIGH) 0.003 lx (25%, F1.2, AGC HIGH) 0 lx (with IR LED ON) | |
| Iris control | DC iris | |
| White balance | ATW (wide/narrow) / AWC / Manual | |
| ATW colour temp. range | 2300K to 10,000K | |
| Day/Night | True D/N with IR cut-off filter | |
| Wide dynamic range function | ExDR (by dual shutter) | |
| 3DNR | NORMAL / HIGH | |
| Display mode (Monitor type) | CRT / LCD1 / LCD2 | |
| BLC | ON / OFF (4 patterns) | |
| AGC | HIGH / MID / OFF | |
| Sensitivity-up | off / x2 to x128 | |
| Digital zoom | x1 / x1.4 / x2 | |
| Motion detection | ON / OFF | |
| Privacy mask | 4 areas | |
| Focus adjustment mode | Yes | |
| Lens | | |
| Focal length | 2.8mm to 10.5mm, 3.75x vari-focal | |
| Angle of vision | 100 (H) x 73 (V) to 24 (H) x 21 (V) | |
| Aperture ratio | F1.2 (f=2.8mm) to F3.6 (f=10.5mm) | |
| Angle adjustment range | — | |
| IR LED | 12 LEDs, 20m | |
| General | | |
| Power supply | 24VAC (50Hz/60Hz) / 12VDC | |
| Power consumption | 3.8W | |
| Operating temperature range | -10°C to 50°C (14°F to 122°F) | |
| Dust and water proof | IP66 | |
| Vandal protection | Vandal Proof | |
| Dimensions | 55mm (W) x 61mm (H) x 163mm (D) (2-3/16" x 2-7/16" x 6-7/16") | |
| Weight (approx.) | 350 g (0.8 lbs) | |
| | | Horizontal: 350°, Vertical: ±80°, Rotation: ±100° |
| | | 3.8W without optional heater, 21.8W including heater |
| | | -10°C to 50°C (14°F to 122°F) -30°C to 50°C (-22°F to 122°F) with optional heater |
| | | ø160 mm x 126 mm (H) |
| | | (ø6-1/4" x 5") |
| | | 1.3 kg (2.9 lbs) |

Dimensions

Unit: mm (inch)



DISTRIBUTED BY

Design and specifications subject to change without notice.