

High-Sensitivity 1/2" CCD Color CCTV Video Camera



FEATURES

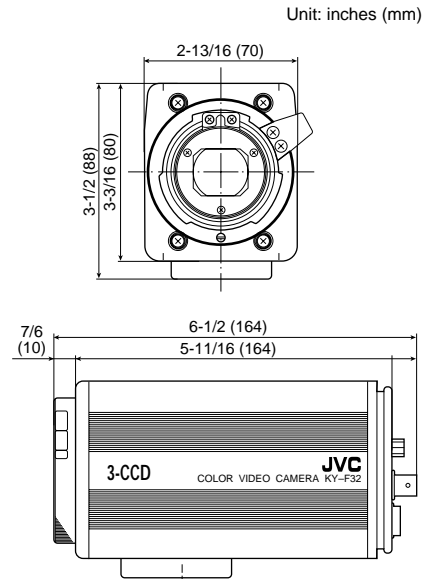
- 750 horizontal lines with a high sensitivity of F9.5 at 2,000 lx and minimum illuminance of 6 lx
- High-resolution frame integration mode boosts vertical resolution to 480 lines
- Full-time automatic operation
- Standard 1/2" bayonet mount
- Memory function
- Comprehensive input and output terminals
- Negative video function



Specifications

Image pickup device	1/2" interline CCD x 3 (R, G, B)
Color separation optical system	1/2" F1.4, R, G, B, 3-color separation prism
Number of pixels (effective)	380,000
Color system	Wideband R-Y, B-Y encoder
Synchronizing system	Internal/external
Color bar generator	Built-in, SMPTE type
Lens mount	1/2" bayonet
Sensitivity	F9.5/2,000 lx
Minimum required illumination	6 lx (F1.4, 18 dB, 100% IRE video level)
Electric gain	0 dB, 6 dB, 9 dB, 12 dB, 18 dB, ALC
S/N ratio (standard)	60 dB (Detail correction OFF, Gamma 1)
Detail correction	Dual-edged
Horizontal resolution	750 TV lines (Y signal), 580 TV lines (R, G, B signal)
Registration	0.05% (excluding lens characteristics)
Electronic shutter	1/60, 1/100, 1/250, 1/500, 1/1000, 1/2000 sec., EEI
Variable scan	1/60.3 to 1/2074.6
Negative video function	Provided
Frame integration mode	Provided
External sync signal input	Composite video signal 1 V(p-p), 75 ohm or black burst signal 0.45 V(p-p), 75 ohm
Output signals	
Composite video signal	1 V(p-p), 75 ohm BNC connector one channel, D-SUB 9-pin connector one channel
Y/C signal	Y: 1 V(p-p), 75 ohm (including sync) C: 0.3 V(p-p), 75 ohm (burst) D-SUB 9-pin connector one channel
RGB signal	0.7 V(p-p), 75 ohm (without sync) each D-SUB 9-pin connector one channel
Component signal	Y: 1V (p-p), 75 ohm D-SUB 9-pin connector one channel
Composite sync signal	2 V(p-p), 75 ohm D-SUB 9-pin connector one channel
Remote input	Applicable to the RM-LP55U/LP57U convertible to RS-232C with optional VC-P893U/894U
Power supply	12 V DC(10.5 to 15 V)
Power consumption	0.7 A (camera only), 1.1 A (maximum load)
Ambient temperature range	-5°C to +40°C (23°F to 104°F)
Weight	1.9 lbs. (850g)
Accessories	DC cable (VC 462-2 2m) x 1

Dimensions



Options



RM-LP55U
Camera remote control unit



RM-713MDU
Lens remote control unit



S14x7.5BMDU
14:1 power zoom lens



VC-P893U
RS-232C interface cable

VC-P894U
RS-232C interface cable for Macintosh



RM-LP57U
Camera remote control unit (Rack mount type)



AA-P700U
AC power adapter (Normal use)