

## 960 Hours High-Resolution Video Cassette Recorder



### FEATURES

- High-resolution color recording of more than 400 lines with VHS tape
- Composite & Y/C signal in/outputs
- Up to 960 hours of high-density & timelapse recording
- Aluminum diecast mechanism for long-lasting reliability
- Optional RS-232C interface
- Series recording
- Timer recording
- Alarm recording
- Tape position search
- Time/date search (FF/REW)
- Automatic recording check mode
- Field recording/playback
- Sensor (event) recording as well as series recording

### ARCHITECTS' AND ENGINEERS' BID SPECIFICATION

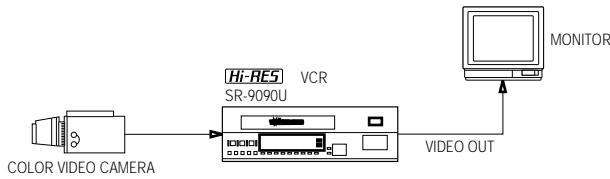
The industrial-grade time-lapse field recorder (NTSC) shall be a JVC Model SR-9090U or equivalent and shall not be a modified consumer unit. The time-lapse recorder shall be VHS compatible.

The unit shall have standard 2-hour and 6-hour VHS recording and provide 12-hour and 24-hour time-lapse (linear slow) recording. Another feature shall be audio recording in both time-lapse modes. In addition to 24-hour and 40-hour time-lapse recording, Event Recording shall be possible, with 8-second sections recorded every 4 minutes in 3d1 mode (2-hour) and with 22-second sections recorded every 4 minutes in 3 d 2 mode (6-hour). This shall allow recording over a 3-day period. Even with power switched off, or when the unit is set to the Stop position, Emergency Recording shall automatically start as soon as an external alarm signal is received. If an alarm signal is received during Time-Lapse or Event Recording, the unit shall automatically switch to Alarm Recording in the previously set mode (2- or 6-hour). The unit itself shall also provide an alarm. The Alarm Search/Recall feature shall find the latest of Alarm Recording, and switch to Pause. Alarm Recall shall allow you to check the date and time of the last six alarms recorded by using the on-screen display. When the Summer Time button is pressed, the time shall advance by 1 hour, and when pressed again shall return to normal. Additional features shall include: Auto Alarm Reset, Daily and Weekly Timer Recording, External Timer Recording, Auto Repeat Recording/Auto Rewind, 1-Week Timer Backup, Built-in Time-Date Generator, Optional Wired Remote Control, Dual Mode Record Lock Function, LCD with Back Light, Hour Meter, Camera Switching Output, Auto Off Output and Tape End Output.

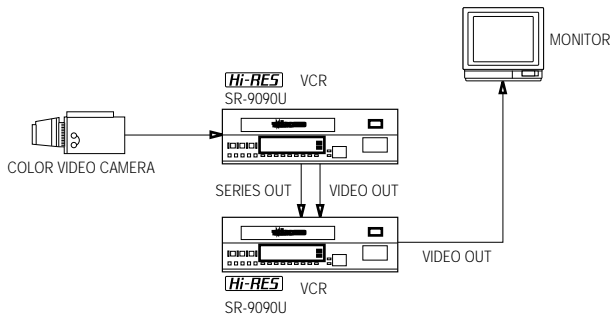
Horizontal resolution (VHS-2-hour mode) shall be 400 lines. The unit shall feature a 4-video head system and high-speed FF/REW (Less than 3 min./NV-T120 tape). The time-lapse field recorder shall feature Auto Head Cleaning, Noiseless Still and Forward/Reverse Field Advance. The body shall be no more than 14-3/16" wide. The power source shall be 120V AC — 50/60Hz. The unit shall be UL listed.

## System

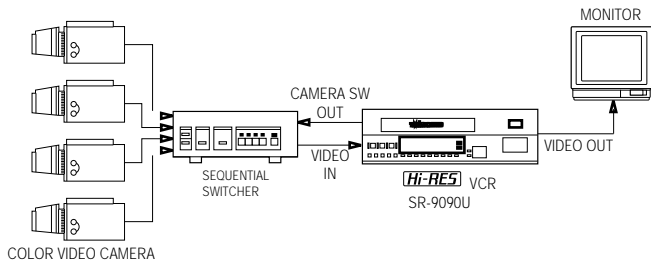
### Basic System



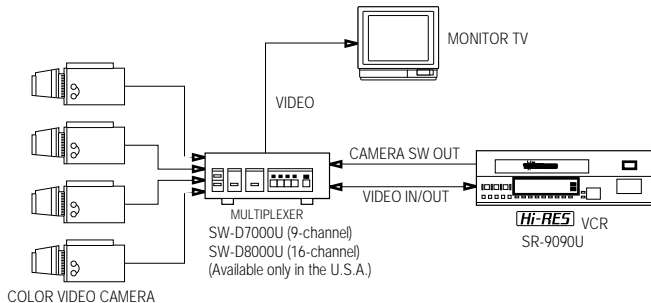
### Long-Duration Surveillance



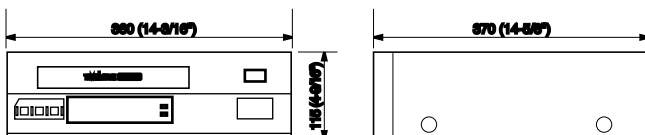
### Multi-Camera Sequential Recording System



### Multi-Camera Multi-Screen Recording System



## Dimensions



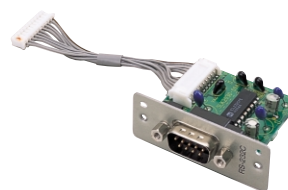
## Specifications

GENERAL	
Power requirement	AC 120 V, 50/60 Hz
Power consumption	Approx. 19 W (5 W in Standby mode)
Dimensions	360 (W) x 115 (H) x 370 (D) mm (14-3/16" x 4-9/16" x 14-5/8")
Weight	5.5 kg (12.1 lbs.)
Temperature:	
Operating	+5°C to +40°C (41°F to 104°F)
Storage	-20°C to +60°C (-4°F to 140°F)
Humidity	30% to 80%
Tape speed	33.35 mm/s (2H mode), 11.12 mm/s (6H mode)
Recording and playback time	2 (SP mode)/6 (EP mode) hours 24/48/72/120/168/240/480/960 hours (Timelapse Recording mode) 24/48/72/120/168/240/480/960 hours (High-Density Recording mode) (with T-120 cassette tape)
Operating position	Horizontal only
Fast forward/rewind time	Less than 4 minutes with T-120 cassette tape
VIDEO	
Signal system	NTSC-type color signal, EIA monochrome signal, 525 lines/60 fields
Recording system	Luminance: FM recording Chrominance: Down converted direct recording
Signal input	LINE: 1.0 V(p-p), 75 ohms, unbalanced Y/C, Y: 1.0 V(p-p), 75 ohms, unbalanced C: 0.286 V(p-p), 75 ohms, unbalanced
Signal output	LINE: 1.0 V(p-p), 75 ohms, unbalanced Y/C, Y: 1.0 V(p-p), 75 ohms, unbalanced C: 0.286 V(p-p), 75 ohms, unbalanced
Horizontal resolution	400 lines or more (2H mode) (with an HG tape)
S/N ratio	43 dB or more (2H mode) (with an HG tape)
AUDIO	
Number of tracks	1
Line input	-8 dBs, 50 kohms, unbalanced
Mic input	-67 dB, 600 ohms, unbalanced
Line output	-8 dBs, 1 kohm, unbalanced
Frequency response	100 Hz to 10 kHz (2H mode)
S/N ratio	40 dB or more (2H mode at 4% distortion level)
TIME/DATE GENERATOR	
Display	Month, day, year, hours, minutes, seconds, recording mode, alarm input data, power loss time
Character size	16H
Memory backup	Approx. five years
ALARM	
Input	Input-ground contact
Camera SW output	Negative pulse output (approx. 5 ms)
ACCESSORIES	
Provided accessory	Power cable x 1
Optional accessories	SA-K97U: RS-232C interface RM-G30U: Remote control unit

### NOTE

Noise may appear in the playback picture when tapes recorded by this unit are played back on other VCRs.

## Options



SA-K97U  
RS-232C Interface



RM-G30U  
Remote Control Unit