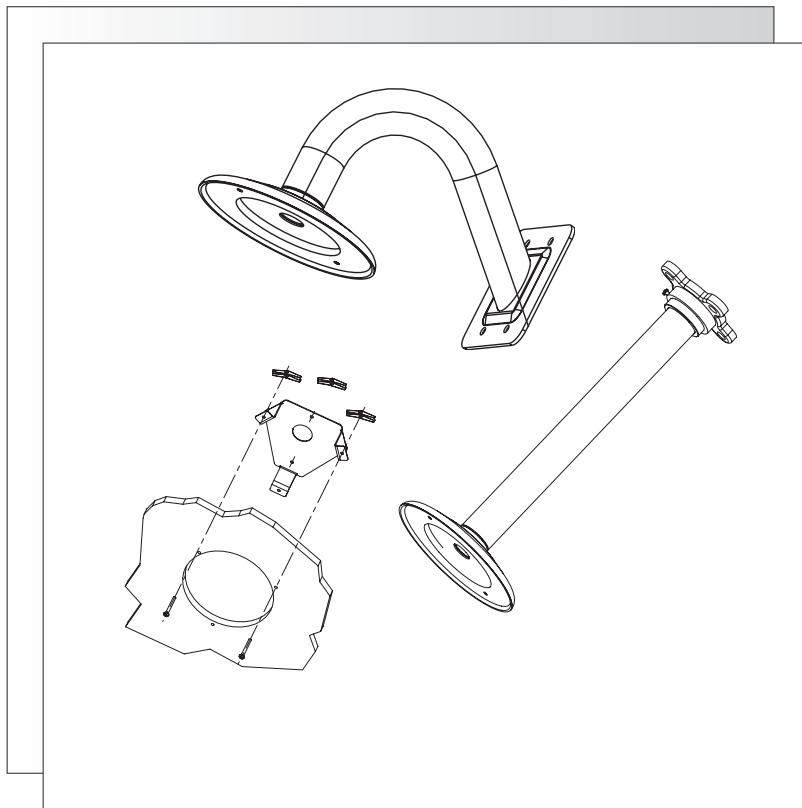




WALL, PENDANT AND CEILING MOUNTS



WALL MOUNT WMTK SERIES
PENDANT PIPE MOUNT PMTK SERIES
CEILING MOUNT CMTK SERIES

INSTALLATION AND OPERATING INSTRUCTIONS

IMPORTANT SAFEGUARDS

1. Read Instructions - All the safety and operating instructions should be read before the unit is operated.
2. Retain Instructions - The safety and operating instructions should be retained for future reference.
3. Heed Warnings - All warnings on the unit and in the operating instructions should be adhered to.
4. Follow Instructions - All operating and use instructions should be followed.

SAFETY PRECAUTIONS



The exclamation point within an equilateral triangle is intended to alert the user to presence of important operating and maintenance (servicing) instructions in the literature accompanying the appliance.

SECURITE



Le point d'exclamation à l'intérieur d'un triangle équilatéral avertit l'utilisateur de la présence d'instructions importantes d'utilisation et de maintenance dans la documentation accompagnant l'appareil.

SICHERHEITSVORKEHRUNGEN





Das Ausrufezeichen in dem gleichseitigen Dreieck ist dazu da, den Benutzer auf wichtige Inbetriebnahme- und Instandhaltungs-vorschriften hinzuweisen, die dem Gerät in Form einer Broschüre beigelegt sind.

PRECAUCIONES DE SEGURIDAD



El símbolo de exclamación dentro de un triángulo equilátero, se muestra con el objetivo de alertar al usuario de que instrucciones de operación y mantenimiento importantes acompañan al equipo.

 **WARNING:** All mounts are designed to support a load only in a vertical direction.

 **WARNING:** For a secure installation use stainless steel or zinc plated fasteners.

1 UNPACKING

Unpack carefully. Check to ensure that the following items are included for the applicable modules ordered:

- Mount (with correct model number).
- Hardware Kit - Wall Mount WMTK Series
 - 1 - 1/8" Tamper Resistant Hex Key
 - 3 - #10-24 x 1/2" - Patch Lock Screws
 - 3 - #10 Flat Washers
 - 4 - #6-32 Oval Head Screws
- Hardware Kit - Pendant Pipe Mount PMTK-Series
 - 3 - #10-24 x 1/2" - Patch Lock Screws
 - 3 - #10 Flat Washers
 - 1 - 1/8" Tamper Resistant Hex Key
- Hardware Kit - Ceiling Mount CMTK-Series
 - 3 - Toggle Bolts 3/16"
 - 2 - #10-24 x 2" Patch Lock Screws
 - 1 - 1/8" Tamper Resistant Hex Key

If an item appears to have been damaged in shipment, replace it properly in its carton and notify the shipper. If any items are missing, notify JVC.

The shipping carton is the safest container in which the unit may be transported. Save it for possible future use.

2 SERVICE

If the unit ever needs repair service the customer should contact JVC for return authorization and shipping instructions.

3 INSTALLATION

This installation should be made by qualified service personnel and conform to the National Electrical Code and applicable local codes.

3.1 Installing the WMTK Series Wall Mount

1. Determine the location for the Wall Mount.
2. Use the mount as a template to mark the location of the mount holes.
3. Drill holes for the anchors.
4. Install the anchors into the wall.
5. Drill a fifth hole in the wall, center this hole to align with the feed through tube in the mount. This hole will be used to pull the wires through the feed through tube.
6. Pull all wires from the wall through the feed-through tube.
7. Assemble the mount to the wall.
8. Pull the wires through the camera housing.
9. Assemble the housing to the mount with the hardware in the order as shown in the diagram below.
9a: The WMTK Series mounts are compatible with VN-H and VN-T dome cameras. Align the holes of the dome to the mount holes to confirm which holes will be used for attaching the dome to the pendant cap.
10. Connect all wires to the camera.
11. Install the camera dome housing cover.

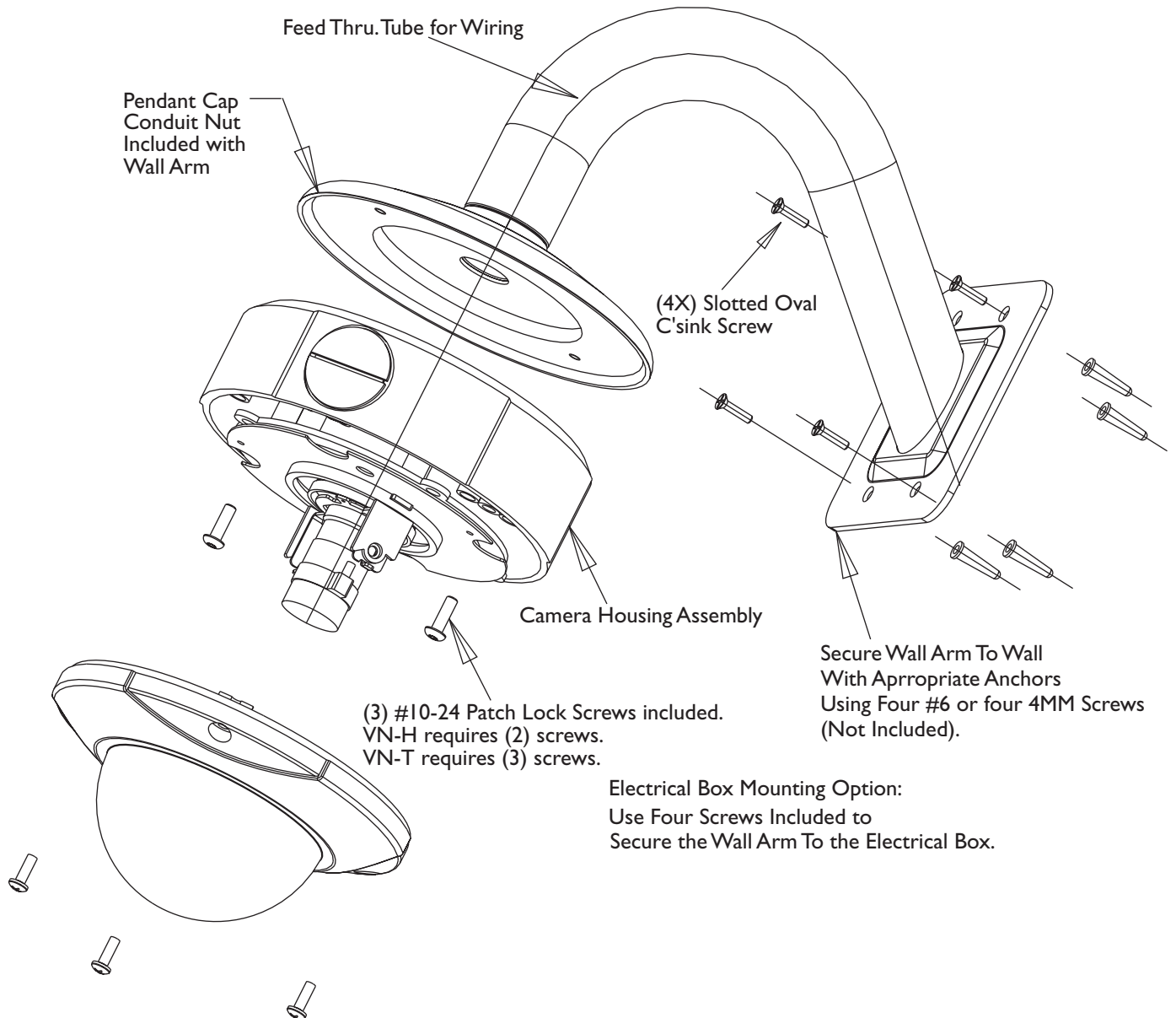


Figure 1: Wall Mount WMTK Series

3.2 Installing the PMTK Series Pendant Pipe Mount

1. Determine the location for the Pendant Mount.
2. Use the 4 holes in the flange as a template to mark the position where the holes will be drilled to secure the Mount.
3. After marking the location of the holes drill the holes in the mount location.
4. Drill a fifth hole in the center of the 4 hole pattern used to mount the flange. This hole is to be used to feed the wires through the Mount.
5. Assemble flange to the pipe, and the pipe to the cap.
6. Pull the wires through the pipe starting at the flange end.
7. Assemble the Pendant Mount to the ceiling.
8. Pull the wires through the camera housing.
9. Assemble the camera housing to the Pendant Mount with the hardware in the order shown in the diagram below.
- 9a: The PMTK Series mounts are compatible with VN-H and VN-T dome cameras. Align the holes of the dome to the mount holes to confirm which holes will be used for attaching the dome to the pendant cap.
10. Connect all wires to the camera.

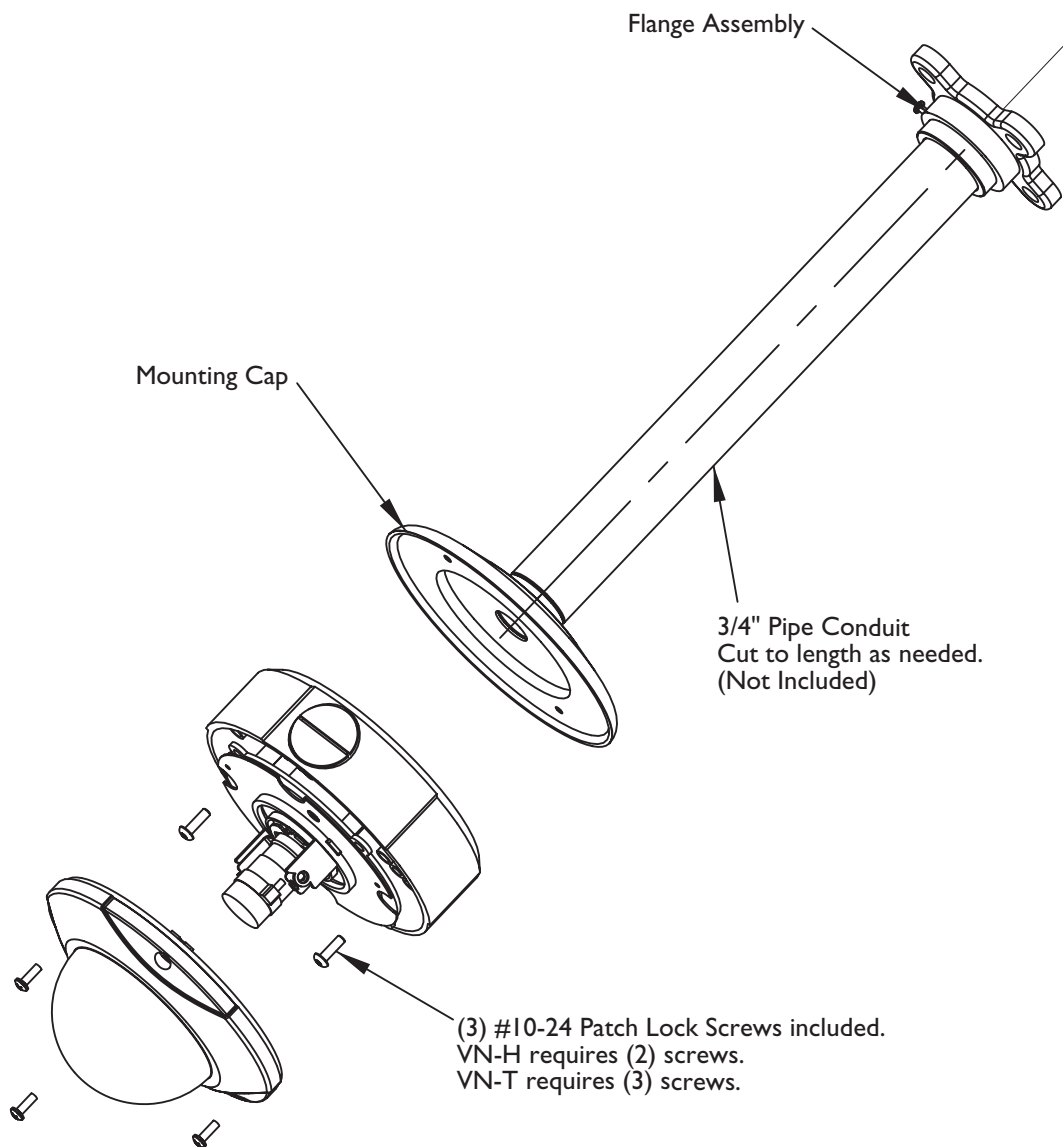


Figure 2: Pendant Pipe Mount PMTK Series

3.3 Installing the Ceiling Mount CMTK Series

Note: CMTK Series Mounts are compatible with VN-H style dome cameras only.

1. Determine the location for the Ceiling Mount.
2. Cut a hole in the mount location using the template provided. See **Figure 4** page 6.
3. Remove the Dome Cover.
4. Remove the gasket located between the camera and the dome cover. The gasket will not be used in the mounting process.
5. Attach the camera to the 3-prong bracket using the 2 #10-24 Patch Lock screws provided in your hardware kit.

6. Insert the 3-prong bracket in the hole and tighten with the toggle bolts provided in your hardware kit.

Note: When mounting to hard surfaces use anchors appropriate for hard surface ceilings such as Lag screws (not provided).

7. After making all the camera adjustments replace the dome cover to the unit by placing the flange onto the dome cover where the gasket was removed from. The flange fits snugly into the groove of the dome cover.

8. Tighten the dome cover.

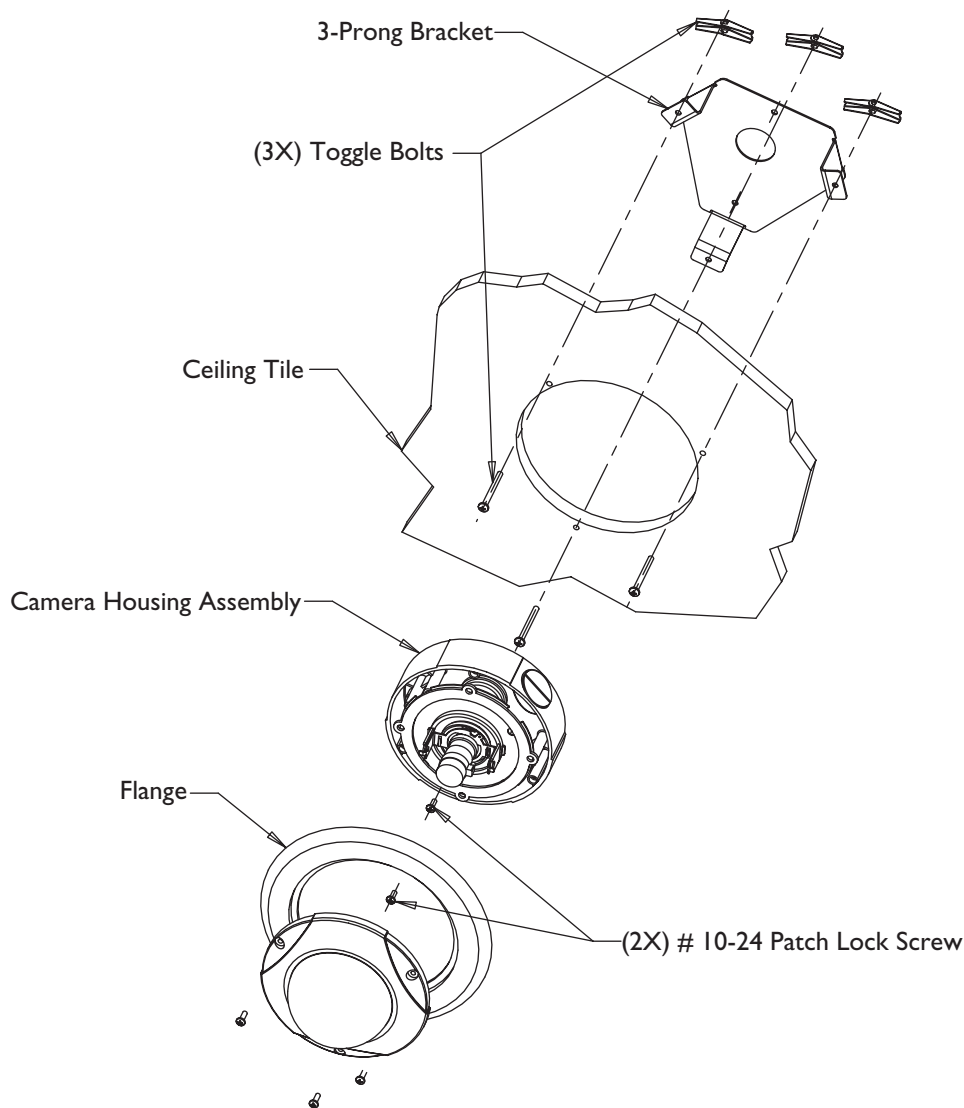


Figure 3: Ceiling Mount CMTK Series

4 TEMPLATES

4.1 Ceiling Mount Template

This Template can be used for marking the location of the holes in the ceiling needed to install the CMTK Series Ceiling Mount.

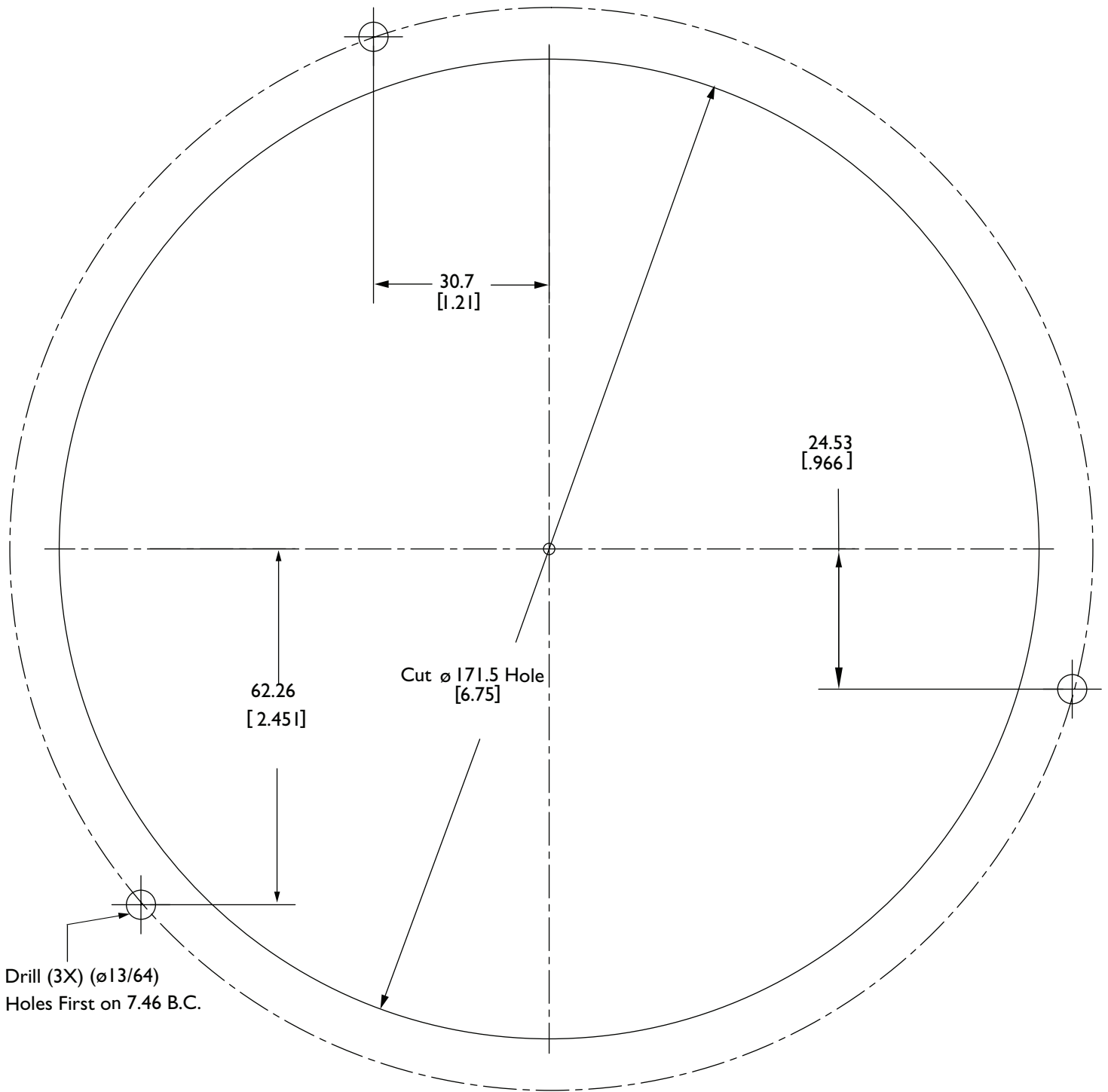
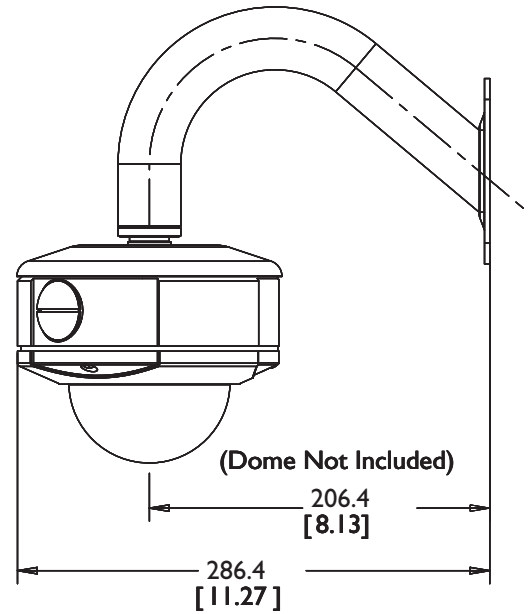
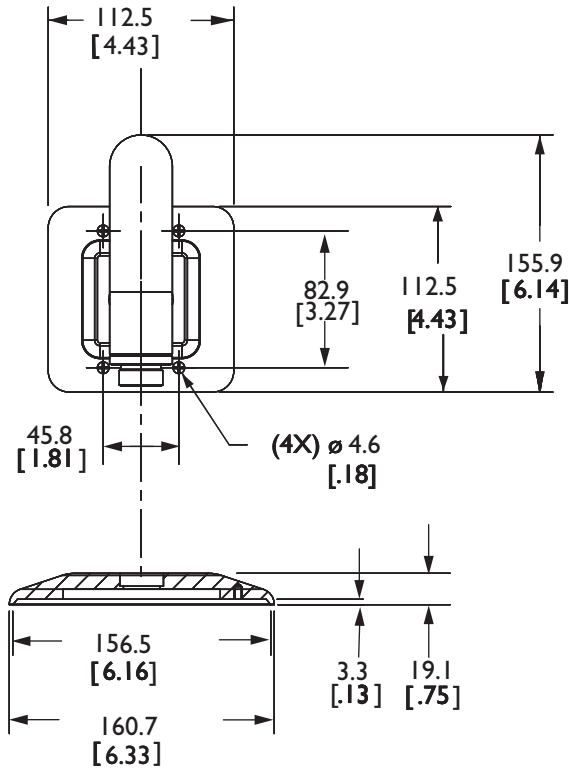


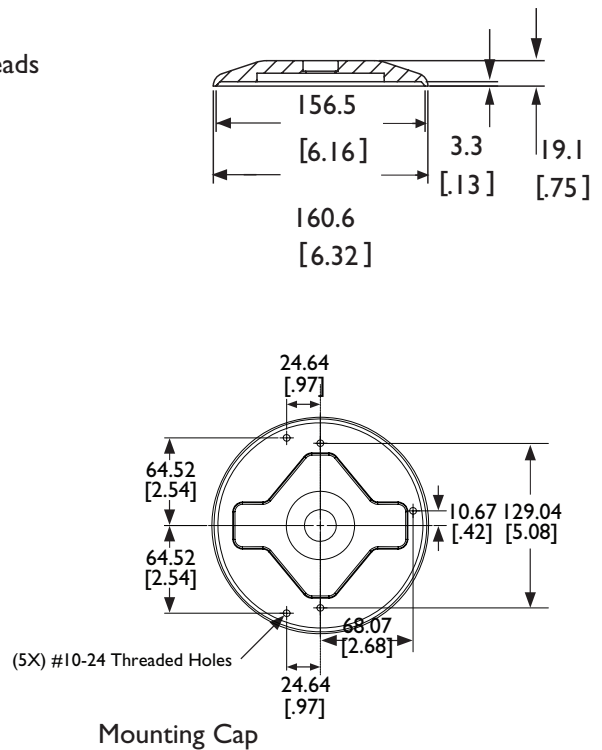
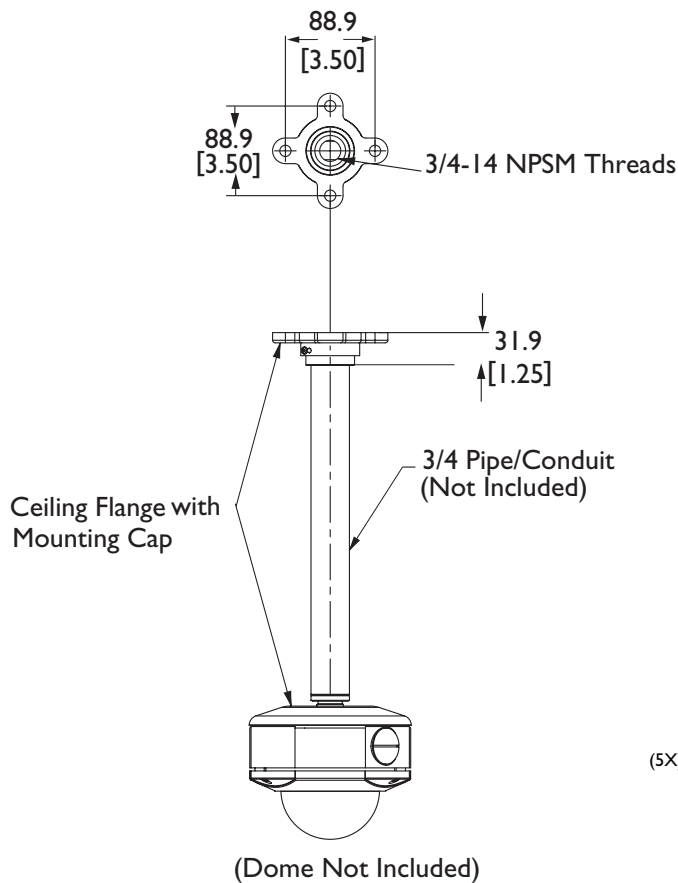
Figure 4: Ceiling Mount CMTK Series Template

5 DIMENSIONAL OUTLINES

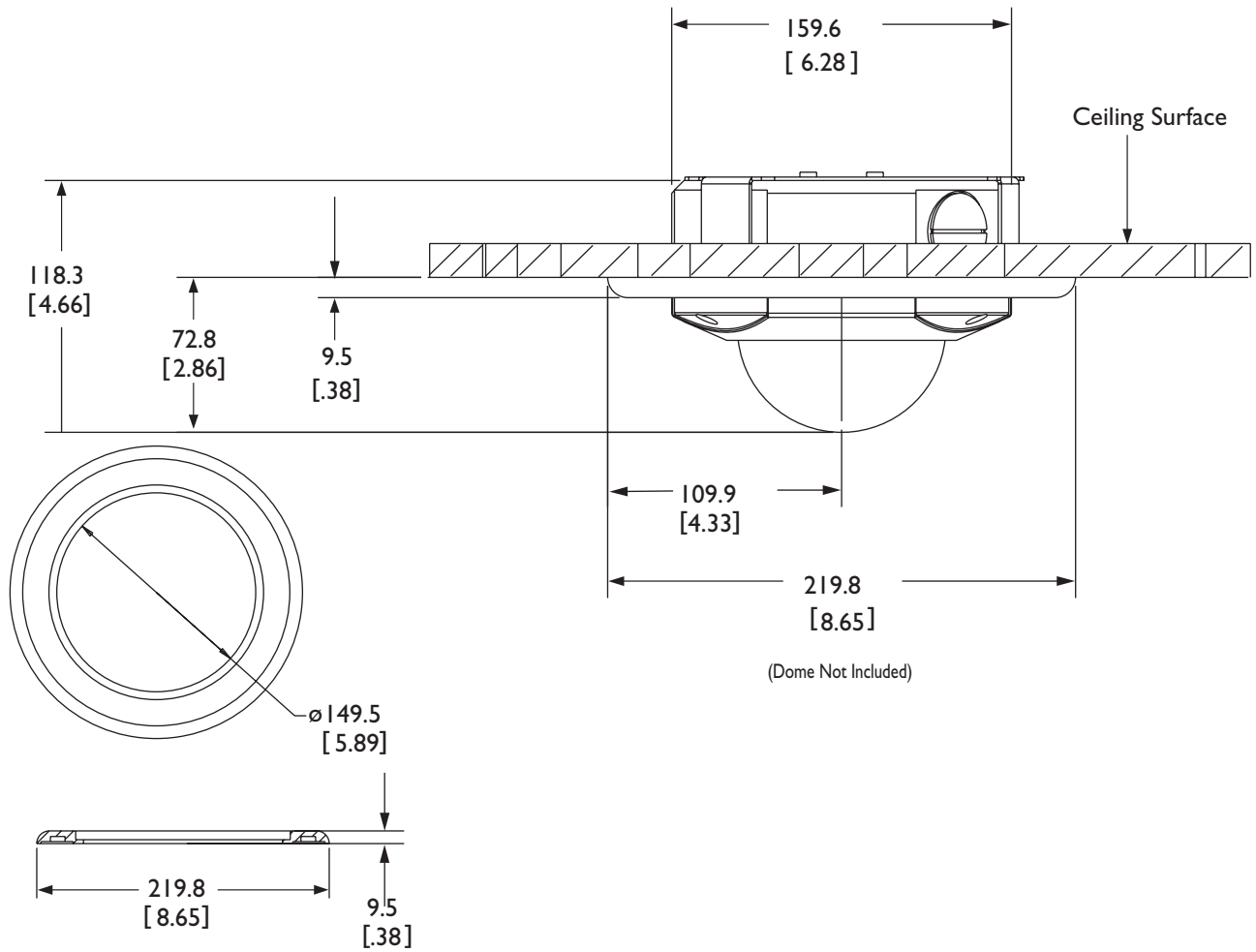
5.1 Wall Mount Dimensions



5.2 Pendant Pipe Mount Dimensions



5.3 Ceiling Mount Dimensions



JVC PROFESSIONAL PRODUCTS COMPANY

JVC PROFESSIONAL PRODUCTS COMPANY 1700 VALLEY ROAD, WAYNE NJ 07470
TELEPHONE (973) 317-5000 FAX (973) 317-5030 U.S.A