

# JVC

The Perfect Experience / —

# DT-V17L3D

17" HD Multi-Format AC/DC LCD Monitor



The DT-V17L3DU is a compact flat panel monitor designed for studio, mobile and field applications. Upgraded from the DT-V17L2DU, the DT-V17L3DU offers superior 4:4:4 10-bit processing, improved deinterlacing, ultra low latency, and an on-screen waveform monitor. The DT-V17L3D features a high-resolution anti-diffusion LCD panel with built-in HD-SDI and DVI-D interfaces that provide lossless connection to broadcast and studio sources. It's the best choice for a compact field or studio monitor in television studios, remote production vans, production and post facilities, and other demanding professional applications.

Achieving HD images, faithful to original signals, with less than one frame of latency

#### Features

- 1440x900 pixels
- AC/DC operation
- Circuits that deliver low latency of less than one frame
- Waveform monitoring with over level function
- Gold-plated HD/SD SDI terminals with embedded audio
- DVI-D with HDCP terminal
- High-performance LCD panel
- Exclusive JVC image processing technology
- Wide selection of video production functions
- Easy-to-operate front panel controls
- Rugged, adjustable stand provided
- 1:1 mode with HD (1920 x 1080 pixel array)
- Source ID input by ASCII code
- Information position selectable
- Full vertical screen mode for SD 4:3 signal

[www.jvc.com/pro](http://www.jvc.com/pro)

# 17" HD Multi-Format AC/DC LCD Monitor

## DT-V17L3D

Achieving HD images, faithful to original signals with less than one frame of latency.

### Specifications

Model		DT-V17L3D
Type	Multi-format HDTV/SDTV LCD monitor	
Screen Size	Type 17 wide format	
Aspect Ratio	16:10	
LCD Panel	17" wide, active matrix TFT	
Effective Screen Size (W x H)	367.2 x 229.5 mm	
Pixels	1440 x 900 (W-XGA+)	
Display Colours	16.77 million	
Viewing Angle	Horizontal	160°
	Vertical	140°
Brightness	400 cd/m <sup>2</sup>	
Contrast Ratio	600: 1	
Horizontal/Vertical Frequency (PC signals)	Horizontal	31.469 kHz to 75.000 kHz
	Vertical	48 Hz - 65 Hz
Depending on the signal within the range of these frequencies, some signals may not be displayable, in which case, "Out of range" is shown.		
Applicable Standard	HD SDI: BTA S-004B, SMPTE292M SD SDI: ITU-R BT.656: 525/625, SMPTE259M: 525 EMBEDDED AUDIO: SMPTE299M, SMPTE272M Internal: 1.0 W + 1.0 W (L/R)	
Audio Output	Internal: 1.0 W + 1.0 W (L/R)	
Environmental Conditions	Operating temperature	5°C to 35°C
	Operating humidity	20% to 80% (non condensing)
Power Requirements	AC 120/220-240 V, 50/60 Hz/DC 12-17 V	
Rated Current	0.56 A (AC 120 V), 0.36 A (AC 220-240 V)	
	3.0 A (DC 12-17 V)	
Dimensions (WxHxD) excluding protrusions)	With desktop stand	395 x 344.8 x 199 mm
	Without stand	395 x 304 x 86 mm
Weight	Excluding stand	5.3 kg
	Including stand	7 kg
Provided Accessories	AC power cord, power cord holder, screw x 2 (for power cord holder), Ferrite core x 1 (for external battery)	
Option	Protective screen/rack mount adapter	

Input/Output Terminals		screw x 2 (for power cord holder)
Video	VIDEO	Composite video signal input/output: 1 line, BNC x 2, 1 V (p-p), 75 ohms (IN and OUT are connected with a bridge connection) (auto termination)
	DVI-D (HDCP)	DVI-D signal input (compatible with HDCP): DVI-D connector x 1 (compatible with DDC2B)
	COMPO. (Y, Pb/B-Y, Pr/R-Y)	Analogue component signal input/output: 1 line, BNC x 6 Video signal: Y: 1 V (p-p), 75 ohms, Pb/B-Y, Pr/R-Y: 0.7 V (p-p), 75 ohms (IN and OUT are connected with a bridge connection) (auto termination)
	HD/SD SDI (IN 1)	Digital signal input (compatible with EMBEDDED AUDIO):
	HD/SD SDI (IN 2)	Auto detection, 1 line, BNC x 1
	HD/SD SDI (OUT)	Digital signal output (compatible with EMBEDDED AUDIO) 1 line (switched out), BNC x 1
Audio	AUDIO ASSIGN	Analogue audio signal input: 1 line, RCA x 2, 500 mV (rms), high impedance
	AUDIO ASSIGN (MONITOR OUT)	Analogue audio signal output: 1 line, RCA x 2, 500 mV (rms)
External Control	MAKE/TRIGGER	RJ-45 x 1 (8-pin)
	RS-485	RJ-45 x 2 (IN/OUT) (8-pin)
	RS-232C	D-sub (9-pin) x 1

### Input Format

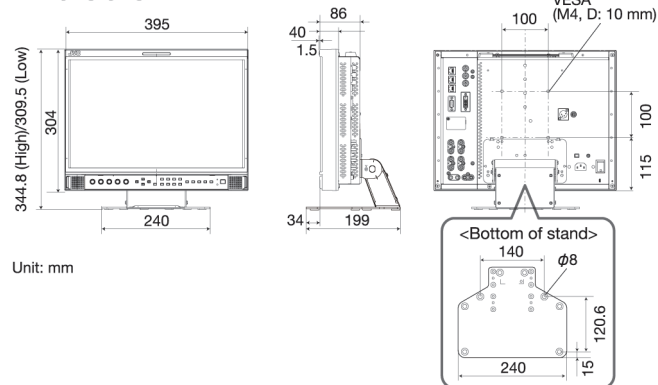
VIDEO	Input terminals				COMPUTER	Input terminals	
	Signal name	Video	Component/RGB	HD/SD SDI			DVI-D with HDCP (video)
NTSC	✓	—	—	—	—	VGA60	✓
PAL	✓	—	—	—	—	W-VGA60	✓
EW(50Hz/60Hz)	✓	—	—	—	—	SVGA60	✓
480/60i	—	✓	—	—	—	XGA60	✓
576/50i	—	✓	—	—	—	W-XGA60 (1280 x 768)	✓
480/60p	—	✓	—	—	—	W-XGA+60 (1440 x 900)	✓
576/50p	—	✓	—	—	—	SXGA60 (1280 x 1024)	✓
640 x 480/60p	—	—	—	—	—	1920 x 1080@60/50	✓
720/24p, 25p, 30p	—	✓	—	—	—	1280 x 720@60/50	✓
720/50p, 60p	—	✓	—	—	—	W-SXGA+60 (1680 x 1050)	✓
1080/50i, 60i	—	✓	—	—	—	U-XGA60(1600 x 1200)	✓
1080/50p, 60p	—	✓	—	—	—	W-UXGA60 (1920 x 1200)	✓
1035/60i	—	✓ <sup>1</sup>	—	—	—		
1080/24p, 25p, 30p	—	✓	—	—	—		
1080/24p, 30p <sup>1</sup>	—	✓	—	—	—		

<sup>1</sup>: It is displayed by 1080/60i.

### Status Display



### Dimensions



- Option • TS-W17FD1 (Protective screen)  
• RK-C17D1 (Rack Mount Adapter)

### Front Panel



INPUT TERMINALS
HD/SD-SDI Gold-plated
DVI-D
Audio In/Out
Speaker Stereo
CONTROLS
RS-232C
RS-485 In/Out
Make/trigger
FUNCTIONS
Area marker
Safety marker
Tally lamp
Time code
CRC error
Audio level meter
Source ID display
1:1 mode
I/P mode
Waveform monitoring
Stand (Tilt & height adjustable)
INSTALLATION
Rack mount (Option)
VESA
Carrying handle
OPERATION
Power AC/DC

### Rear Panel

