



55" Full HD 16:9 LCD Monitor

# GM-552D

## High Contrast Full HD 16:9 Widescreen Professional LCD Monitor for 24/7 Continuous Operation Applications



### Professional Industrial Grade 16:9 High Definition LCD/LED Monitor

The GM-552D is a 55-inch Full HD (1920x1080 resolution) 16:9 LCD/LED monitor. Its ultra-high contrast display, durable design and excellent connectivity make it ideal for signage, information display and security applications. Image settings useful for security applications are also included. The display can also be used in portrait mode, and the logo is removable.

The GM-552D is also equipped with a professional 3G/HD/SD-SDI interface, making it suitable for use in broadcasting facilities and studios\*. Color temperature, brightness/contrast and backlight can all be individually adjusted. Common pre-sets are already integrated.

\*Due to the panel size, we cannot recommend the use of this product in OB vans or other high vibration installations.

### Created for 24/7 Continuous Operation

The GM-552D is designed for 24 hours a day, 7 days a week constant use for a variety of applications. It includes customer selectable screen saving modes and LED backlighting which saves power, increases image performance, and adds to a long screen lifetime of 50,000 hours.

### A Wide Range of Connection Possibilities

The GM-552D features a range of professional connections, including HDMI™, DVI, RGB (with loop out), S-Video (with loop out), etc. Additionally, the GM-552D is equipped with HD-SDI/SD-SDI and 3G-SDI interfaces, with loop out.

### Other Features

- FHD non-glare panel
- LED backlighting (mercury-free)
- Multi language OSD: English/German/French/Italian/Spanish
- Multi Display: 2x1/2x2/3x3/4x4/5x5
- Picture modes: STUDIO, CCTV1, CCTV2, USER
- Useful picture functions: PIP/PBP/Portrait mode/Screen saver/Image refresh
- ID setting for RCU: 01-99 allows use of a single IR remote for control of a group of displays, such as in video wall applications.
- RS232C input/output terminals for creating a daisy chain
- All-Metal Cabinet and Durable Design
- Supplied with removable VWSA stand and handles
- Input terminals arranged in a single row for easy connection
- DC output terminal (+12V/Max. 350mA)

Specifications		GM-552D
Display	TYPE	LCD DISPLAY MONITOR
	Screen size	54.6 (inch)
	LCD panel	TFT active matrix
	Back lighting	LED
	Effective screen size	1209.6 mm (H) x 680.4 mm (V)
	Resolution	1920 x 1080
	Pixel pitch	0.21 mm (H) x 0.63 mm (V)
	Panel brightness (TYP)	450 cd/m <sup>2</sup>
	Contrast ratio (TYP)	4000:1
	Aspect ratio	16:9
	Viewing angle (TYP)	178° (Horizontally) / 178° (Vertically)
	Display color	1073.7 million
Response time (G to G)	6.5 msec	
General	Weight	31.4 kg / 32.3 kg (including pair of the stands)
	External dimensions	1272.6 mm (W) x 745.5 mm (H) x 360.0 mm (D) (with stand unit)
	Power requirements	AC 100 V ~ 240 V, 50 Hz-60 Hz
	Rated input current	1.8 A
	DC output	DC +12V output Max. 350 mA
Input terminals	Audio output	Internal speaker: 1.5 W+1.5 W
	VIDEO IN	BNC x 1
	S-VIDEO INPUT	Mini DIN4-pin x 1
	RGB (Analog) IN	D-Sub 15-pin x 1
	DVI INPUT	DVI-D (single link) x 1
	HDMI INPUT	HDMI type-A (Screw hole / Gefen)
	Audio IN (CVBS/S-VIDEO)	RCA x 2 (L/R)
	Audio IN (HDMI,DVI-D,VGA)	Stereo mini jack x 1
	RS-232C IN	D-Sub 9-pin x 1
	HD-SDI (3G) IN	BNC x 1 (3G) SMPD
Output terminals	VIDEO OUT	BNC x 1 (Passive loop through)
	RGB (Analog) OUT	D-Sub 15-pin x 1
	Audio OUT (MONITOR OUT)	RCA x 2 (L/R)
	RS-232C OUT	D-Sub 9-pin x 1
	HD-SDI (3G) OUT	BNC x 1 (3G)
Provided accessories	Remote control (RM-C3700) x 1 Batteries (AAA) x 2 Power cord 1.8 m x 2 (Europe model) 1.8 m x 1 (US model) Power cord clamp x 1 Stand unit x 2 (1 pair)	



### Terminals



AC IN



- 1 SDI Input (GM-552D only)
- 2 SDI Output (GM-552D only)
- 3 DC Out
- 4 RS-232C Input
- 5 RS-232C Output
- 6 HDMI Input
- 7 DVI-D Input
- 8 RGB Input
- 9 RGB Output
- 10 Audio 1 Input
- 11 S-Video (Y/C) Input
- 12 Video Input
- 13 Video Output
- 14 Audio 2 Input
- 15 Audio Output

### Input Format

Signal Name	VIDEO/S-VIDEO	RGB	HDMI	SDI
NTSC	✓	—	—	—
PAL	✓	—	—	—
SECAM	✓	—	—	—
BW/60	✓	—	—	—
BW/50	✓	—	—	—
480/60i	—	✓	—	✓ (SD)
576/50i	—	✓	—	✓ (SD)
480/60i (pixel repetition)	—	—	✓	—
576/50i (pixel repetition)	—	—	✓	—
480/60p	—	✓	✓	—
576/50p	—	✓	✓	—
720/60p	—	—	✓	—
720/50p	—	—	✓	—
720/30p	—	—	—	✓ (HD)
720/25p	—	—	—	✓ (HD)
720/24p	—	—	—	✓ (HD)
1080/60i	—	✓	✓	✓ (HD)
1080/50i	—	✓	✓	✓ (HD)
1080/60p	—	✓	✓	✓ (3G)*1
1080/50p	—	✓	✓	✓ (3G)*1
1080/30p	—	—	—	✓ (HD)
1080/25p	—	—	—	✓ (HD)
1080/24p	—	—	—	✓ (HD)
1080/30PsF	—	—	—	✓ (HD)
1080/24PsF	—	—	—	✓ (HD)
1080/25PsF	—	—	—	✓ (HD)

✓ : Compatible  
— : Not compatible  
\*1 : 4:2:2 (YCbCr / 10bit)

PC Signals	Frequency		RGB	DVI-D	HDMI
	Horizontal(kHz)	Vertical(Hz)			
640x400/56Hz	24.823	56.42	✓	—	—
640x400/70Hz	31.475	70.10	✓	—	—
640x480/60Hz	31.469	59.94	✓	✓	✓
640x480/72Hz	37.861	72.81	✓	—	—
800x600/60Hz	37.879	60.32	✓	✓	✓
1024x768/60Hz	48.363	60.00	✓	✓	✓
1024x768/70Hz	56.476	70.07	✓	—	—
1024x768/75Hz	60.023	75.03	✓	—	—
1024x768/85Hz	68.667	85.00	✓	—	—
1280x720/60Hz	44.820	60.00	✓	✓	✓
1280x768/60Hz	47.760	59.99	✓	✓	✓
1360x768/60Hz	47.396	60.02	✓	✓	✓
1152x864/75Hz	67.500	75.00	✓	—	—
1280x1024/60Hz	63.981	60.02	✓	✓	✓
1400x1050/60Hz	64.744	59.95	—	✓	✓
1400x1050/60Hz	65.317	59.98	—	✓	✓
1600x1200/60Hz	75.000	60.00	✓	✓	✓

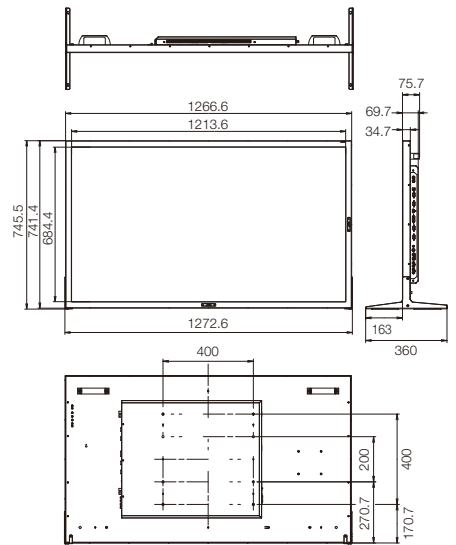
✓ : Compatible  
— : Not compatible

\* Some signals may not be displayed normally even if its frequency is within the acceptable range.

\* When the frequency of a non-registration signal is very near to a registration signal, displays the frequency of a registration signal on OSD.

### External Dimensions

Unit: mm



HDMI, the HDMI logo and High-Definition Multimedia Interface are trademarks or registered trademarks of HDMI Licensing LLC. All other brand or product names may be trademarks and or registered trademarks of their respective owners. Any rights not expressly granted herein are reserved. All information in this document is subject to change without notice. Copyright © 2013, JVC KENWOOD Corporation. All Rights Reserved.

Simulated pictures.  
The values for weight and dimensions are approximate.  
E.&O.E. Design and specifications subject to change without notice.



DISTRIBUTED BY