

JVC®

The Perfect Experience / —

21" (20"V) FLAT CRT COLOR MONITOR

TM-21A2U

Flat Color Monitor Optimally Designed
for Security Use



In today's demanding security applications, the TM-21A2U Surveillance Monitor delivers uncompromising performance thanks to superb color reproduction and clear visibility right to the corners of its flat screen.

Features

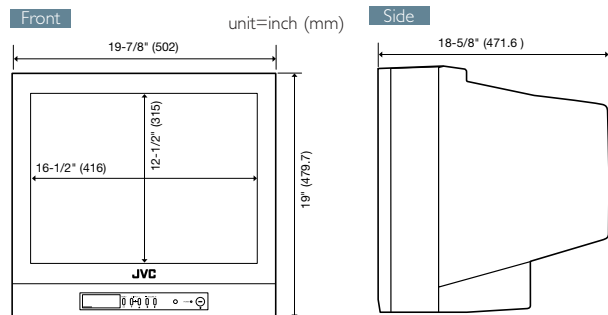
- 2 Video Inputs, 1 Video Output Terminal (RCA)
- 2 Audio Inputs (mono)
1 Audio Output (mono) Terminal (RCA)
- NTSC / PAL / SECAM Compatibility
- White Balance (COOL / NORMAL / WARM)
- Auto VNR (Video Noise Reduction)
- Front Panel Control Lock
- Remote Control Unit
- On Screen Display
- Includes Loop-through/BNC Adapter

Specifications

Model		TM-21A2U
Type		Color video monitor
Picture Tube		21" (20"V) diagonally measured
Scanning Frequency		H: 15.75kHz (NTSC) / 15.625kHz (PAL/SECAM) V: 59.94Hz (NTSC) / 50Hz (PAL/SECAM)
Power Requirement		120 V AC, 50Hz/60Hz
Power Consumption		1.1 A/76 W (120V AC)
Compliant Video Signal		NTSC3.58/NTSC4.43/PAL/SECAM
Video Input Terminal 1	Composite	Rear: RCA x 1 (1.0V (p-p), 75Ω)
Video Input Terminal 2	Composite	Front: RCA x 1 (1.0V (p-p), 75Ω)
Video Output Terminal*	Composite	Rear: RCA x 1
Analog Audio Input Terminal 1		Rear: RCA x 1
Analog Audio Input Terminal 2		Front: RCA x 1
Analog Audio Output Terminal*		Rear: RCA x 1
Headphone Jack		Front: Stereo mini jack (1/4" (3.5mm) diameter; monaural)
Sound Output		3W
Speaker		2" x 3-5/8" (50 x 90mm) x 1
Dimensions (W x H x D)		19 7/8" x 19" x 18 5/8" (502 x 479.7 x 471.6mm)
Weight		48.4 lbs (22kg)

* Turn on the switch for audio and video outputs

Dimensions



Remote Control Unit

- Power
- Input Select
- Picture Mode
- Off Timer
- Display/Back
- Menu/OK
- Reset/Muting
- Volume



E. & OE Design and specifications are subject to change without notice.
All brand or product names may be trademarks and/or registered trademarks of their respective owners. Any rights not expressly granted herein are reserved.
Copyright © 2006 Victor Company of Japan, Limited (JVC). All Rights Reserved.

JVC®

DISTRIBUTED BY

JVC PROFESSIONAL PRODUCTS COMPANY
DIVISION OF JVC AMERICAS CORP.
1700 Valley Road, Wayne, N.J. 07470
TEL: (973) 317-5000, (800) 582-5825 FAX: (973) 317-5030
Internet Web Site <http://www.jvc.com/pro>
E-mail: proinfo@jvc.com

JVC CANADA INC.
21 Finchdene Square, Scarborough, Ontario M1X 1A7
TEL: (416) 293-1311 FAX: (416) 293-8208
Internet Web Site <http://www.jvc.ca/en/pro/>

Printed in Japan
ICN-0340

"JVC" is the trademark or registered trademark of Victor Company of Japan, Limited.