



VSL2010
VSL2012

VS2000 LENSES

LENS OPTIONS

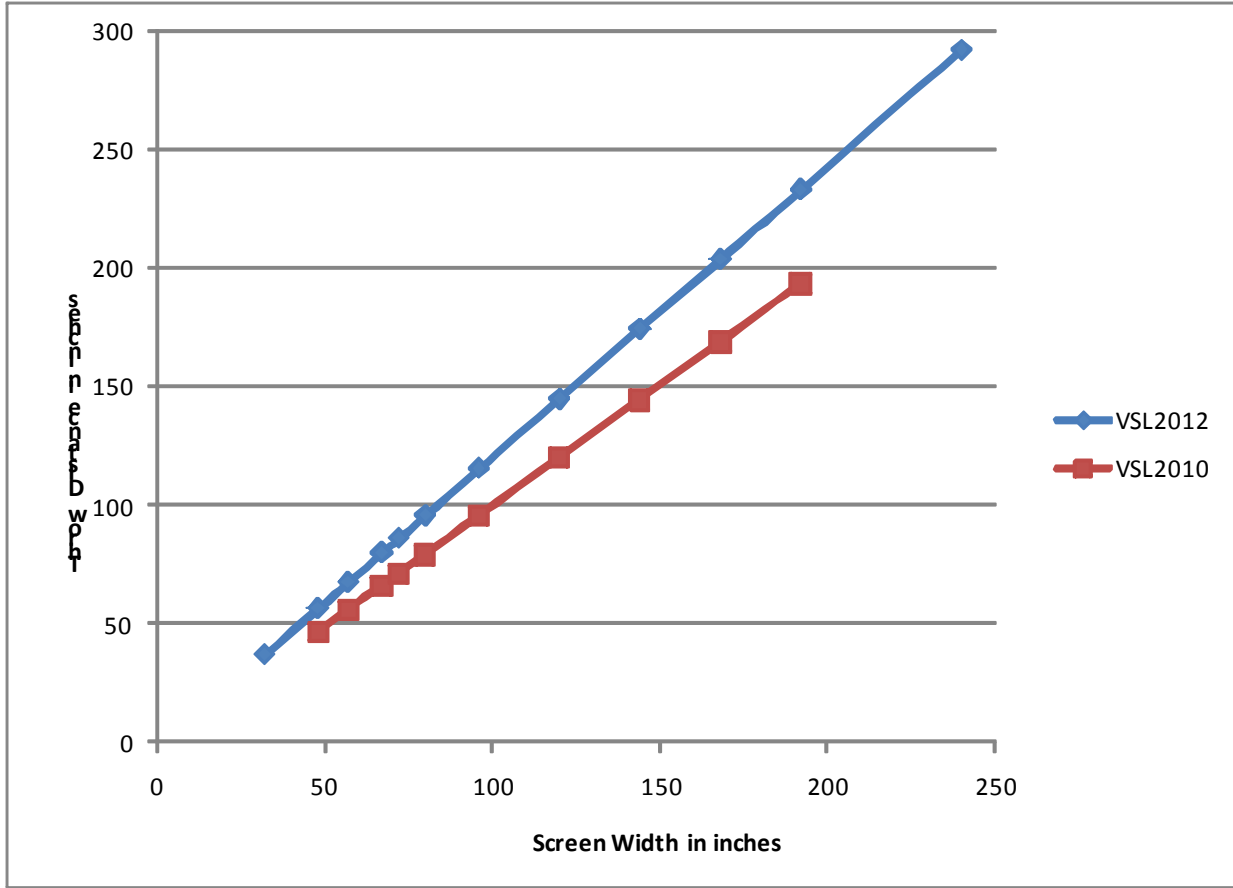
VSL2010

VSL2012

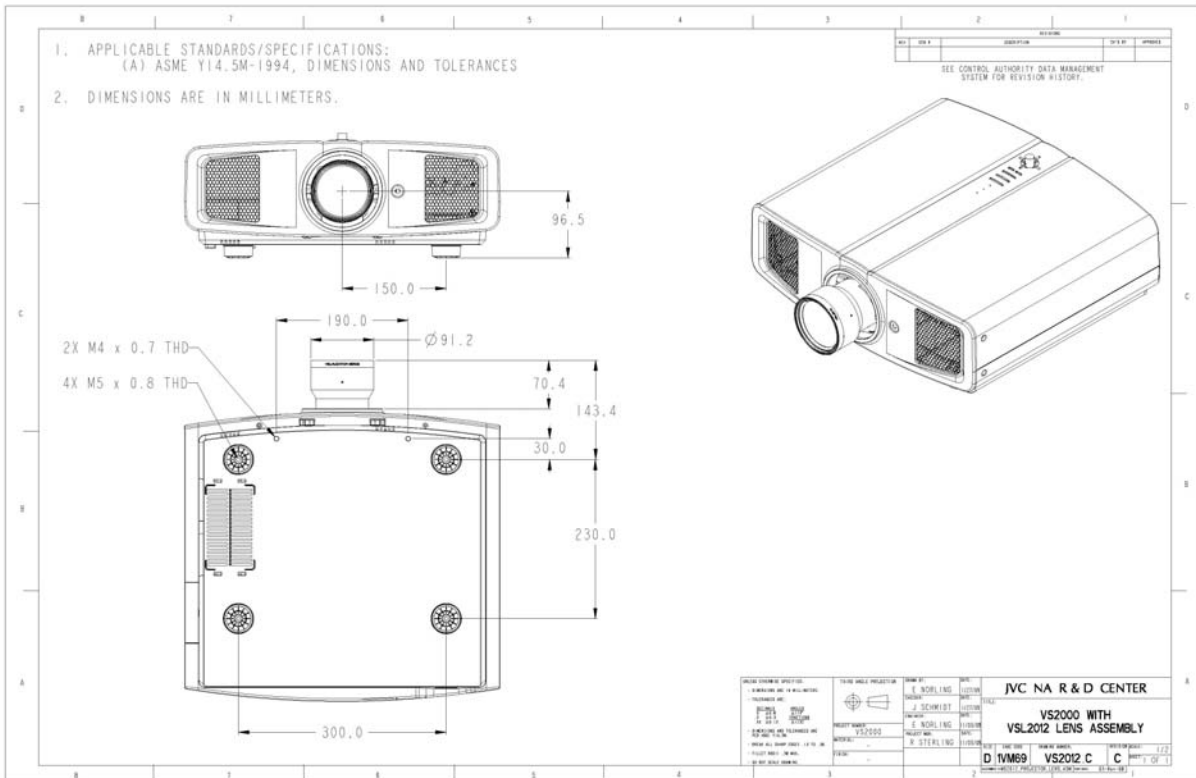
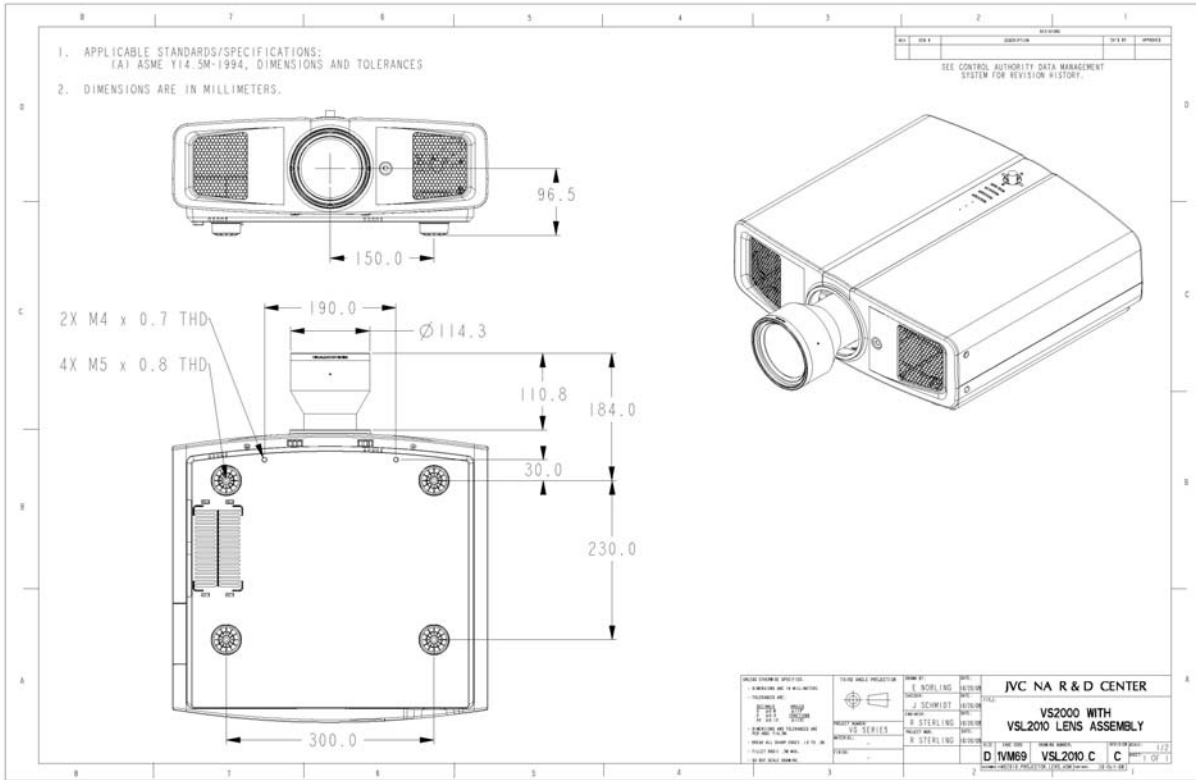


SPECIFICATIONS

LENS	ZOOM	VSL2010	VSL2012
			
PROJECTION LENS	Standard zoom lens	Short focus lens	Short focus lens
THROW RATIO	1.4-2.8:1	1:1	1.2:1
APERATURE RATIO	F/ 3.2-4.3	F/ 3.2	F/ 3.2
	21.3-42.6mm	15.92mm	19.11mm
FOCUS	Manual	Manual	Manual
VERTICAL LENS SHIFT	±80%	0%±50%	0%±50%
PROJECTION DISTANCE	70'-480"	36"-192"	32"-240"
WEIGHT	.45 kg (1 lb)	2.7 kg (5.93 lb)	1.9 kg (4.29 lb)



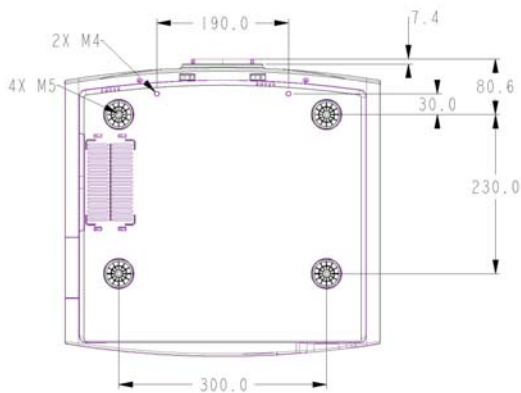
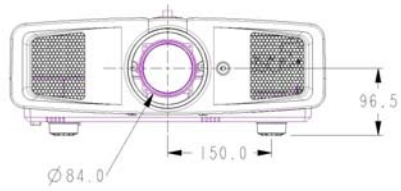
Display (in)			Throw (in)	
width	height	diag	VSL2012	VSL2010
32	18.00	36.72	36.93	
48	27.00	55.07	56.56	46.63
57	32.06	65.40	67.61	55.80
67	37.69	76.87	79.88	65.99
72	40.50	82.61	86.01	71.08
80	45.00	91.79	95.83	79.24
96	54.00	110.15	115.47	95.54
120	67.50	137.68	144.92	120.00
144	81.00	165.22	174.37	144.46
168	94.50	192.75	203.82	168.92
192	108.00	220.29	233.27	193.38
240	135.00	275.36	292.16	



1. APPLICABLE STANDARDS/SPECIFICATIONS:
(A) ASME Y14.5M-1994, DIMENSIONS AND TOLERANCES
2. DIMENSIONS ARE IN MILLIMETERS.

REV.	DATE	DESCRIPTION	BY	APP'D.

SEE CONTROL AUTHORITY DATA MANAGEMENT SYSTEM FOR REVISION HISTORY.



DESIGN CHECKED BY: [Signature] DRAWN BY: [Signature] CHECKED BY: [Signature] DATE: 10/10/00	TITLE: VS2000 WITH STANDARD ZOOM LENS ASSEMBLY	PROJECT: VS 2000	SHEET: 02 OF 01
--	--	------------------	-----------------