

JVC

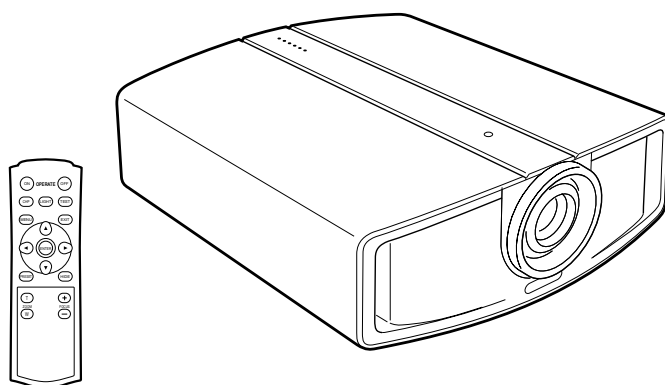
ENGLISH

FRANÇAIS

D-ILA® HOME THEATER PROJECTOR PROJECTEUR CINÉMA MAISON **D-ILA**®

DLA-HD10KU/E DLA-HD10KSU/E

INSTRUCTIONS MANUEL D'INSTRUCTIONS



For Customer use :

Enter below the serial No. which is located on the side panel of the cabinet. Retain this information for future reference.

Model No. DLA-HD10KU/DLA-HD10KSU

Serial No. _____

Pour utilisation par le client :

Entrer ci-dessous le N° de série qui est situé sur le panneau latéral du coffret. Garder cette information comme référence pour le futur.

N° de modèle DLA-HD10KU/DLA-HD10KSU

N° de série _____

SAFETY PRECAUTIONS

IMPORTANT INFORMATION

NOTICE (For USA)

Language for Manuals of Products using HID Lamps (that contains mercury)

This product has a High Intensity Discharge (HID) lamp that contains a small amount of mercury. It also contains lead in some components.

Disposal of these materials may be regulated in your community due to environmental considerations. For disposal or recycling information please contact your local authorities, or the Electronics Industries Alliance: <http://www.eiae.org>.

WARNING:

TO PREVENT FIRE OR SHOCK HAZARDS, DO NOT EXPOSE THIS APPLIANCE TO RAIN OR MOISTURE.

WARNING:

THIS APPARATUS MUST BE EARTHED.

CAUTION:

To reduce the risk of electric shock, do not remove cover. Refer servicing to qualified service personnel.

This projector is equipped with a 3-blade grounding type plug to satisfy FCC rule. If you are unable to insert the plug into the outlet, contact your electrician.

FCC INFORMATION (U.S.A. only)

CAUTION:

Changes or modification not approved by JVC could void the user's authority to operate the equipment.

NOTE:

This equipment has been tested and found to comply with the limits for Class B digital devices, pursuant to Part 15 of the FCC Rules. These limits are designed to provide reasonable protection against harmful interference in a residential installation. This equipment generates, uses, and can radiate radio frequency energy and, if not installed and used in accordance with the instructions, may cause harmful interference to radio communications. However, there is no guarantee that interference will not occur in a particular installation. If this equipment does cause harmful interference to radio or television reception, which can be determined by turning the equipment off and on, the user is encouraged to try to correct the interference by one or more of the following measures:

- Reorient or relocate the receiving antenna.
- Increase the separation between the equipment and receiver.
- Connect the equipment into an outlet on a circuit different from that to which the receiver is connected.
- Consult the dealer or an experienced radio/TV technician for help.

MACHINE NOISE INFORMATION (Germany only)

Changes Machine Noise Information Ordinance 3. GSGV, January 18, 1991: The sound pressure level at the operator position is equal or less than 70 dB (A) according to ISO 7779.

About burning-in of the D-ILA device

Do not allow the same still picture to be projected for a long time or an abnormally bright video picture to be projected. Do not project video images with high-intensity or high contrast on a screen. The video image could be burnt into the D-ILA device.

Use special care when projecting video games or computer program images. There is no problem with ordinary video-cassette playback images.

About the installation place

Do not install the projector in a place that cannot support its weight securely.

If the installation place is not sturdy enough, the projector could fall or overturn, possibly causing personal injury.

IMPORTANT SAFEGUARDS

Electrical energy can perform many useful functions. This unit has been engineered and manufactured to assure your personal safety. But IMPROPER USE CAN RESULT IN POTENTIAL ELECTRICAL SHOCK OR FIRE HAZARD. In order not to defeat the safeguards incorporated into this product, observe the following basic rules for its installation, use and service. Please read these Important Safeguards carefully before use.

- All the safety and operating instructions should be read before the product is operated.
- The safety and operating instructions should be retained for future reference.
- All warnings on the product and in the operating instructions should be adhered to.
- All operating instructions should be followed.
- Place the projector near a wall outlet where the plug can be easily unplugged.
- Unplug this product from the wall outlet before cleaning. Do not use liquid cleaners or aerosol cleaners. Use a damp cloth for cleaning.
- Do not use attachments not recommended by the product manufacturer as they may be hazardous.
- Do not use this product near water. Do not use immediately after moving from a low temperature to high temperature, as this causes condensation, which may result in fire, electric shock, or other hazards.
- Do not place this product on an unstable cart, stand, or table. The product may fall, causing serious injury to a child or adult, and serious damage to the product. The product should be mounted according to the manufacturer's instructions, and should use a mount recommended by the manufacturer.
- When the product is used on a cart, care should be taken to avoid quick stops, excessive force, and uneven surfaces which may cause the product and cart to overturn, damaging equipment or causing possible injury to the operator.

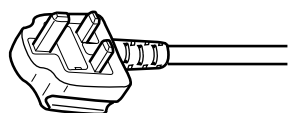
PORTABLE CART WARNING
(symbol provided by RETAC)



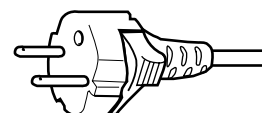
S3126A

- Slots and openings in the cabinet are provided for ventilation. These ensure reliable operation of the product and protect it from overheating. These openings must not be blocked or covered. (The openings should never be blocked by placing the product on bed, sofa, rug, or similar surface. It should not be placed in a built-in installation such as a bookcase or rack unless proper ventilation is provided and the manufacturer's instructions have been adhered to.) For proper ventilation, separate the product from other equipment, which may prevent ventilation and keep a distance of more than 11-7/8" (30 cm).
- This product should be operated only with the type of power source indicated on the label. If you are not sure of the type of power supply to your home, consult your product dealer or local power company.
- This product is equipped with a three-wire plug. This plug will fit only into a grounded power outlet. If you are unable to insert the plug into the outlet, contact your electrician to install the proper outlet. Do not defeat the safety purpose of the grounded plug.
- Power-supply cords should be routed so that they are not likely to be walked on or pinched by items placed upon or against them. Pay particular attention to cords at doors, plugs, receptacles, and the point where they exit from the product.
- For added protection of this product during a lightning storm, or when it is left unattended and unused for long periods of time, unplug it from the wall outlet and disconnect the cable system. This will prevent damage to the product due to lightning and power line surges.
- Do not overload wall outlets, extension cords, or convenience receptacles on other equipment as this can result in a risk of fire or electric shock.
- Never push objects of any kind into this product through openings as they may touch dangerous voltage points or short out parts that could result in a fire or electric shock. Never spill liquid of any kind on the product.
- Do not attempt to service this product yourself as opening or removing covers may expose you to dangerous voltages and other hazards. Refer all service to qualified service personnel.
- Unplug this product from the wall outlet and refer service to qualified service personnel under the following conditions:
 - a) When the power supply cord or plug is damaged.
 - b) If liquid has been spilled, or objects have fallen on the product.
 - c) If the product has been exposed to rain or water.
 - d) If the product does not operate normally by following the operating instructions. Adjust only those controls that are covered by the Operation Manual, as an improper adjustment of controls may result in damage and will often require extensive work by a qualified technician to restore the product to normal operation.
 - e) If the product has been dropped or damaged in any way.
 - f) When the product exhibits a distinct change in performance - this indicates a need for service.
- When replacement parts are required, be sure the service technician has used replacement parts specified by the manufacturer or with same characteristics as the original part. Unauthorized substitutions may result in fire, electric shock, or other hazards.
- Upon completion of any service or repairs to this product, ask the service technician to perform safety checks to determine that the product is in proper operating condition.
- The product should be placed more than one foot away from heat sources such as radiators, heat registers, stoves, and other products (including amplifiers) that produce heat.
- When connecting other products such as VCR's, and personal computers, you should turn off the power of this product for protection against electric shock.
- Do not place combustibles behind the cooling fan. For example, cloth, paper, matches, aerosol cans or gas lighters that present special hazards when over heated.
- Do not look into the projection lens while the illumination lamp is turned on. Exposure of your eyes to the strong light can result in impaired eyesight.
- Do not look into the inside of this unit through vents (ventilation holes), etc. Do not look at the illumination lamp directly by opening the cabinet while the illumination lamp is turned on. The illumination lamp also contains ultraviolet rays and the light is so powerful that your eyesight can be impaired.
- Do not drop, hit, or damage the light-source lamp (lamp unit) in any way. It may cause the light-source lamp to break and lead to injuries. Do not use a damaged light source lamp. If the light-source lamp is broken, ask your dealer to repair it. Fragments from a broken light-source lamp may cause injuries.
- The light-source lamp used in this projector is a high pressure mercury lamp. Be careful when disposing of the light-source lamp. If anything is unclear, please consult your dealer.
- Do not ceiling-mount the projector to a place which tends to vibrate; otherwise, the attaching fixture of the projector could be broken by the vibration, possibly causing it to fall or overturn, which could lead to personal injury. Use only the accessory cord designed for this product to prevent shock. The power supply voltage rating of this product is AC120 V, AC100 V – AC240 V, the power cord attached conforms to the following power supply voltage. Use only the power cord designated by our dealer to ensure Safety and EMC. When it is used by other power supply voltage, power cable must be changed. Ensure that the power cable used for the projector is the correct type for the AC outlet in your country. Consult your product dealer.

Power cord



For United Kingdom



For European continent countries

Power cord



Power supply voltage: AC 120 V

***DO NOT allow any unqualified person to install the unit.**

Be sure to ask your dealer to install the unit (e.g. attaching it to the ceiling) since special technical knowledge and skills are required for installation. If installation is performed by an unqualified person, it may cause personal injury or electrical shock.

POWER CONNECTION

WARNING:

Do not cut off the main plug from this equipment. If the plug fitted is not suitable for the power points in your home or the cable is too short to reach a power point, then obtain an appropriate safety approved extension lead or adapter or consult your dealer. If nonetheless the mains plug is cut off, remove the fuse and dispose of the plug immediately, to avoid a possible shock hazard by inadvertent connection to the main supply. If a new main plug has to be fitted, then follow the instruction given below:

WARNING:

THIS APPARATUS MUST BE EARTHED. IMPORTANT:

The wires in the mains lead on this product are colored in accordance with the following cord:

Green-and-yellow : Earth
Blue : Neutral
Brown : Live

As these colors may not correspond with the colored making identifying the terminals in your plug, proceed as follows:

The wire which is colored green-and-yellow must be connected to the terminal which is marked ⊕ with the letter E or the safety earth or colored green or green-and-yellow.

The wire which is colored blue must be connected to the terminal which is marked with the letter N or colored black.

The wire which is colored brown must be connected to the terminal which is marked with the letter L or colored red.

When replacing the fuse, be sure to use only a correctly rated approved type, re-fit the fuse cover.

IF IN DOUBT — CONSULT A COMPETENT ELECTRICIAN.

How To Replace The Fuse

Open the fuse compartment with the blade screwdriver, and replace the fuse.

(* An example is shown in the illustration below.)

POWER CONNECTION (United Kingdom only)

WARNING:

Do not cut off the main plug from this equipment.

If the plug fitted is not suitable for the power points in your home or the cable is too short to reach a power point, then obtain an appropriate safety approved extension lead or adapter or consult your dealer.

If nonetheless the mains plug is cut off, remove the fuse and dispose of the plug immediately, to avoid a possible shock hazard by inadvertent connection to the main supply.

If a new main plug has to be fitted, then follow the instruction given below:

WARNING:

THIS APPARATUS MUST BE EARTHED.

IMPORTANT:

The wires in the mains lead on this product are coloured in accordance with the following cord:

Green-and-yellow : Earth
Blue : Neutral
Brown : Live

As these colours may not correspond with the coloured making identifying the terminals in your plug, proceed as follows:

The wire which is coloured green-and-yellow must be connected to the terminal which is marked ⊕ with the letter E or the safety earth or coloured green or green-and-yellow.

The wire which is coloured blue must be connected to the terminal which is marked with the letter N or coloured black.

The wire which is coloured brown must be connected to the terminal which is marked with the letter L or coloured red.

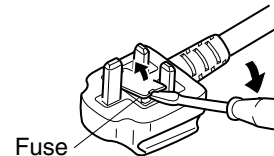
When replacing the fuse, be sure to use only a correctly rated approved type, re-fit the fuse cover.

IF IN DOUBT — CONSULT A COMPETENT ELECTRICIAN.

How To Replace The Fuse

Open the fuse compartment with the blade screwdriver, and replace the fuse.

(* An example is shown in the illustration below.)



ENGLISH

Information for Users on Disposal of Old Equipment**Attention:**

This symbol is only valid in the European Union.

**[European Union]**

This symbol indicates that the electrical and electronic equipment should not be disposed as general household waste at its end-of-life. Instead, the product should be handed over to the applicable collection point for the recycling of electrical and electronic equipment for proper treatment, recovery and recycling in accordance with your national legislation.

By disposing of this product correctly, you will help to conserve natural resources and will help prevent potential negative effects on the environment and human health which could otherwise be caused by inappropriate waste handling of this product. For more information about collection point and recycling of this product, please contact your local municipal office, your household waste disposal service or the shop where you purchased the product. Penalties may be applicable for incorrect disposal of this waste, in accordance with national legislation.

(Business users)

If you wish to dispose of this product, please visit our web page www.jvc-europe.com to obtain information about the take-back of the product.

[Other Countries outside the European Union]

If you wish to dispose of this product, please do so in accordance with applicable national legislation or other rules in your country for the treatment of old electrical and electronic equipment.

FRANÇAIS

Informations relatives à l'élimination des appareils usagés, à l'intention des utilisateurs**Attention:**

Ce symbole n'est reconnu que dans l'Union européenne.

**[Union européenne]**

Lorsque ce symbole figure sur un appareil électrique et électronique, cela signifie qu'il ne doit pas être éliminé en tant que déchet ménager à la fin de son cycle de vie. Le produit doit être porté au point de pré-collecte approprié au recyclage des appareils électriques et électroniques pour y subir un traitement, une récupération et un recyclage, conformément à la législation nationale.

En éliminant correctement ce produit, vous contribuez à la conservation des ressources naturelles et à la prévention des éventuels effets négatifs sur l'environnement et la santé humaine, pouvant être dus à la manipulation inappropriée des déchets de ce produit. Pour plus d'informations sur le point de pré-collecte et le recyclage de ce produit, contactez votre mairie, le service d'évacuation des ordures ménagères ou le magasin dans lequel vous avez acheté le produit.

Des amendes peuvent être infligées en cas d'élimination incorrecte de ce produit, conformément à la législation nationale.

(Utilisateurs professionnels)

Si vous souhaitez éliminer ce produit, visitez notre page Web www.jvc-europe.com afin d'obtenir des informations sur sa récupération.

[Pays ne faisant pas partie de l'Union européenne]

Si vous souhaitez éliminer ce produit, faites-le conformément à la législation nationale ou autres règles en vigueur dans votre pays pour le traitement des appareils électriques et électroniques usagés.

DEUTSCH

Benutzerinformationen zur Entsorgung alter Geräte**Hinweis:**

Dieses Symbol ist nur in der Europäischen Union gültig.

**[Europäische Union]**

Dieses Symbol zeigt an, dass das elektrische bzw. elektronische Gerät nicht als normaler Haushaltsabfall entsorgt werden soll. Stattdessen sollte das Produkt zur fachgerechten Entsorgung, Weiterverwendung und Wiederverwertung in Übereinstimmung mit der Landesgesetzgebung einer entsprechenden Sammelstelle für das Recycling elektrischer und elektronischer Geräte zugeführt werden. Die korrekte Entsorgung dieses Produkts dient dem Umweltschutz und verhindert mögliche Schäden für die Umwelt und die menschliche Gesundheit, welche durch unsachgemäße Behandlung des Produkts auftreten können. Weitere Informationen zu Sammelstellen und dem Recycling dieses Produkts erhalten Sie bei Ihrer Gemeindeverwaltung, Ihrem örtlichen Entsorgungsunternehmen oder in dem Geschäft, in dem Sie das Produkt gekauft haben. Für die nicht fachgerechte Entsorgung dieses Abfalls können gemäß der Landesgesetzgebung Strafen ausgesprochen werden.

(Geschäftskunden)

Wenn Sie dieses Produkt entsorgen möchten, besuchen Sie bitte unsere Webseite www.jvc-europe.com, um Informationen zur Rücknahme des Produkts zu erhalten.

[Andere Länder außerhalb der Europäischen Union]

Wenn Sie dieses Produkt entsorgen möchten, halten Sie sich dabei bitte an die entsprechenden Landesgesetze und andere Regelungen in Ihrem Land zur Behandlung elektrischer und elektronischer Geräte.

NEDERLANDS

Informatie voor gebruikers over het weggooien van oude apparatuur**Let op:**

Dit symbool is alleen geldig in de Europese Unie.

**[Europese Unie]**

Deze markering geeft aan dat de elektrische en elektronische apparatuur bij het einde van de gebruiksduur niet bij het huishoudelijk afval mag worden gegooid. Het product moet in plaats daarvan worden ingeleverd bij het relevante inzamelingspunt voor hergebruik van elektrische en elektronische apparatuur, voor juiste verwerking, terugwinning en hergebruik in overeenstemming met uw nationale wetgeving.

Door dit product naar het inzamelingspunt te brengen, werkt u mee aan het behoud van natuurlijke hulpbronnen en met het voorkomen van potentiële negatieve effecten op het milieu en de volksgezondheid, die anders veroorzaakt zouden kunnen worden door onjuiste afvalverwerking van dit product. Neem voor meer informatie over inzamelingspunten en hergebruik van dit product contact op met de gemeente in uw woonplaats, het afvalverwerkingsbedrijf of de winkel waar u het product hebt aange-schaft.

Er kunnen boetes gelden voor een onjuiste verwijdering van dit afval, in overeenstemming met de nationale wetgeving.

(Zakelijke gebruikers)

Bezoek als u dit product wilt weggooien onze website www.jvc-europe.com voor informatie over het terugnemen van het product.

[Landen buiten de Europese Unie]

Wanneer u dit product wilt verwijderen, houdt u dan aan de geldende nationale wetgeving of andere regels in uw land voor de verwerking van oude elektrische en elektronische apparatuur.

ESPAÑOL

Información para los usuarios sobre la eliminación de equipos usados

Atención:

Este símbolo sólo es válido en la Unión Europea.



[Unión Europea]

Este símbolo indica que los aparatos eléctricos y electrónicos no deben desecharse junto con la basura doméstica al final de su vida útil. El producto deberá llevarse al punto de recogida correspondiente para el reciclaje y el tratamiento adecuado de equipos eléctricos y electrónicos de conformidad con la legislación nacional. Si desecha el producto correctamente, estará contribuyendo a conservar los recursos naturales y a prevenir los posibles efectos negativos en el medio ambiente y en la salud de las personas que podría causar el tratamiento inadecuado del producto desechado. Para obtener más información sobre el punto de recogida y el reciclaje de este producto, póngase en contacto con su oficina municipal, su servicio de recogida de basura doméstica o la tienda en la que haya adquirido el producto. De acuerdo con la legislación nacional, podrían aplicarse multas por la eliminación incorrecta de estos desechos.

(Empresas)

Si desea desechar este producto, visite nuestra página Web www.jvc-europe.com para obtener información acerca de la retirada del producto.

[Otros países no pertenecientes a la Unión Europea]

Si desea desechar este producto, hágalo de conformidad con la legislación nacional vigente u otras normativas de su país para el tratamiento de equipos eléctricos y electrónicos usados.

PORTUGUÉS

Informações para os Utilizadores sobre a Eliminação de Equipamento Antigo

Atenção:

Este símbolo apenas é válido na União Europeia.



[União Europeia]

Este símbolo indica que o equipamento eléctrico e electrónico não deve ser eliminado como um resíduo doméstico geral, no fim da respectiva vida útil. Pelo contrário, o produto deve ser entregue num ponto de recolha apropriado, para efectuar a reciclagem de equipamento eléctrico e electrónico e aplicar o tratamento, recuperação e reciclagem adequados, de acordo com a respectiva legislação nacional.

Ao eliminar este produto da forma correcta, ajudará a conservar recursos naturais e ajudará a evitar potenciais efeitos negativos no ambiente e saúde humana, que poderiam ser causados pelo tratamento residual inadequado deste produto. Para mais informações sobre o ponto de recolha e reciclagem deste produto, contacte a respectiva entidade local, o serviço de eliminação de resíduos ou a loja onde adquiriu o produto.

Caso estes resíduos não sejam correctamente eliminados, poderão ser aplicadas penalizações, em conformidade com a respectiva legislação nacional.

(utilizadores profissionais)

Se pretender eliminar este produto, visite a nossa página da web em www.jvc-europe.com para obter informações sobre a devolução do produto.

[Outros países fora da União Europeia]

Se pretender eliminar este produto, faça-o de acordo com a legislação nacional aplicável ou outras regras no seu país para o tratamento de equipamento eléctrico e electrónico velho.

ITALIANO

Informazioni per gli utenti sullo smaltimento delle apparecchiature obsolete

Attenzione:

Questo simbolo è valido solo nell'Unione Europea.



[Unione Europea]

Questo simbolo indica che l'apparecchiatura elettrica ed elettronica a cui è relativo non deve essere smaltita tra i rifiuti domestici generici alla fine della sua vita utile. Il prodotto, invece, va consegnato a un punto di raccolta appropriato per il riciclaggio di apparecchiature elettriche ed elettroniche, per il trattamento, il recupero e il riciclaggio corretti, in conformità alle proprie normative nazionali.

Mediante lo smaltimento corretto di questo prodotto, si contribuirà a preservare le risorse naturali e a prevenire potenziali effetti negativi sull'ambiente e sulla salute umana che potrebbero essere provocati, altrimenti, da uno smaltimento inappropriato del prodotto. Per ulteriori informazioni sul punto di raccolta e il riciclaggio di questo prodotto, contattare la sede comunale locale, il servizio di smaltimento rifiuti domestici o il negozio in cui si è acquistato il prodotto.

L'utente è responsabile del conferimento dell'apparecchio a fine vita alle appropriate strutture di raccolta, pena le sanzioni previste dalla vigente legislazione sui rifiuti.

(Per gli utenti aziendali)

Qualora si desideri smaltire questo prodotto, visitare la nostra pagina web www.jvc-europe.com per ottenere informazioni sul ritiro del prodotto.

[Per altre nazioni al di fuori dell'Unione Europea]

Qualora si desideri smaltire questo prodotto, effettuare lo smaltimento in conformità alla normativa nazionale applicabile o alle altre leggi della propria nazione relative al trattamento delle apparecchiature elettriche ed elettroniche obsolete.

ΕΛΛΗΝΙΚΑ

Πληροφορίες σχετικά με την απόρριψη εξοπλισμού

Προσοχή:

Αυτή η σήμανση ισχύει μόνο για την Ευρωπαϊκή Ένωση.



[Ευρωπαϊκή Ένωση]

Αυτή η σήμανση υποδηλώνει ότι ο ηλεκτρικός και ηλεκτρονικός εξοπλισμός δεν πρέπει να απορριφθεί ως κοινό οικιακό απόρριμμα. Αντ' αυτού, το προϊόν πρέπει να παραδοθεί στο ανάλογο σημείο περισυλλογής για την ανακύκλωση των ηλεκτρικών και ηλεκτρονικών μερών και την κατάλληλη επεξεργασία, σύμφωνα με τη νομοθεσία της χώρας σας.

Η σωστή απόρριψη αυτού του προϊόντος βοηθάει στη διαφύλαξη των φυσικών πόρων και στην αποφυγή αρνητικών επιπτώσεων στο περιβάλλον και στην ανθρώπινη υγεία, κάτι που ενδέχεται να προκληθεί από την ακατάλληλη διαχείριση αυτού του προϊόντος ως απρριμμα. Για περισσότερες πληροφορίες σχετικά με τα σημεία περισυλλογής και ανακύκλωσης αυτού του προϊόντος, επικοινωνήστε με τα γραφεία της τοπικής αυτοδιοίκησης, την υπηρεσία περισυλλογής απορριμμάτων ή το κατάστημα από το οποίο αγοράσατε το προϊόν.

Ανάλογα με τη νομοθεσία της χώρας σας, ενδέχεται να επιβληθούν κυρώσεις σε περίπτωση λανθασμένης απόρριψης αυτού του προϊόντος.

(Επιχειρήσεις)

Αν επιθυμείτε να απορρίψετε αυτό το προϊόν, επισκεφτείτε το διαδικτυακό μας τόπο www.jvc-europe.com για περισσότερες πληροφορίες σχετικά με την επιστροφή του προϊόντος.

[Άλλες χώρες εκτός Ευρωπαϊκής Ένωσης]

Αν επιθυμείτε να απορρίψετε αυτό το προϊόν, πρέπει να τηρήσετε την ισχύουσα εθνική νομοθεσία ή όποιους άλλους κανονισμούς για τη χώρα σας για την απόρριψη ηλεκτρικού και ηλεκτρονικού εξοπλισμού.

DANSK

Brugerinformation om bortskaffelse af gammelt udstyr

Bemærk:

Dette symbol er kun gyldigt i EU.

**[EU]**

Elektriske produkter og elektroniske apparater med dette symbol må ikke afhændes på samme måde som almindeligt husholdningsaffald, når det skal smides ud. I stedet skal produktet indleveres på det relevante indsamlingssted for elektriske apparater og elektronisk udstyr, hvor det vil blive håndteret korrekt og efterfølgende genanvendt og recirkuleret i henhold til de love, der gælder i dit land.

Ved at bortskaffe dette produkt korrekt, medvirker du til at bevare naturens ressourcer samt forhindre eventuelle negative påvirkninger af miljøet og folkesundheden, der ellers kunne forårsages ved forkert affaldshåndtering af dette produkt. Mere information om indsamlingssteder og genanvendelse af dette produkt kan du få ved at kontakte din lokale kommune, dit renovations-selskab eller den forretning, hvor du har købt produktet.

Ukorrekt bortskaffelse af dette affald kan være strafbar ifølge lovgivningen i nogle lande.

(Professionelle brugere)

Hvis du ønsker at bortskaffe dette produkt, kan du på vores web-side www.jvc-europe.com få information om tilbagetagning af produktet.

[Land uden for EU]

Hvis du ønsker at bortskaffe dette produkt, bedes du gøre det i overensstemmelse med gældende lovgivning eller andre regler i dit land for behandling af gammelt elektrisk og elektronisk udstyr.

SVENSKA

Information till användare gällande kassering av gammal utrustning

Tänk på:

Att denna symbol endast gäller inom den Europeiska gemenskapen.

**[Europeiska gemenskapen]**

Denna symbol anger att elektrisk och elektronisk utrustning inte ska kasseras som vanligt hushållsavfall, när de inte ska användas mer. Istället ska produkten lämnas in på lämplig återvinningsstation för elektrisk eller elektronisk utrustning, så att den kan tas om hand och återvinnas i enlighet med ert lands lagstiftning.

Genom att avyttra denna produkt på rätt sätt, bidrar du till att bevara naturen och förhindrar potentiellt negativa effekter på miljön och den mänskliga hälsan, som annars kan bli resultatet vid felaktig hantering av denna produkt. Kontakta ditt kommunkontor, det företag som hanterar dina hushållssopor eller butiken där du köpt produkten, för mer information om återvinningscentraler. Det kan hända att du bötfälls i enlighet med ert lands lagstiftning om detta avfall kasseras på fel sätt.

(Företagsanvändare)

Om ni vill kassera denna produkt, besök vår webbsida www.jvc-europe.com för att få information om returnering av produkten.

[Övriga länder utanför den Europeiska gemenskapen]

Om du vill kassera denna produkt, ska detta göras i enlighet med gällande lagstiftning i landet, eller enligt andra bestämmelser i ditt land, för behandling av gammal elektrisk eller elektronisk utrustning.

NORSK

Informasjon til brukerne om kassering av gammelt utstyr

OBS!

Dette symbolet er kun gyldig i den Europeiske Union og i EFTA-landene Norge, Island og

**[Europeiske Union]**

Dette symbolet betyr at det elektriske eller elektroniske utstyret ikke skal kasseres som vanlig husholdningsavfall når det har nådd slutten av sin levetid. I stedet skal produktet leveres til en passende mottaksstasjon for kasserte elektriske og elektroniske produkter, slik at disse kan behandles, gjenvinnes og resirkuleres i samsvar med nasjonal lovgivning.

Hvis du kasserer dette produktet på riktig måte, bidrar til du til å bevare naturlige ressurser og til å motvirke de negative virkningene på miljøet og den menneskelige helse som kan oppstå hvis produktet kasseres på feil måte. Hvis du vil ha mer informasjon om mottaksstasjoner og gjenvinning av dette produktet, kan du ta kontakt med kommunen din, renovasjonsselskapet ditt eller den forhandleren du kjøpte produktet av.

Feilaktig kassering av dette utstyret kan kanskje botelegges, avhengig av nasjonale lover og regler.

(Bedriftsbrukere)

Hvis du ønsker å kassere dette produktet, kan du gå til hjemmesiden vår på www.jvc-europe.com eller www.elretur.no for å få informasjon om retur av dette produktet.

[Andre land utenfor EU]

Hvis du ønsker å kassere dette produktet, må du gjøre det i samsvar med gjeldende nasjonal lovgivning eller andre regler som gjelder i landet ditt når det gjelder behandling av gammelt elektrisk og elektronisk utstyr.

SUOMI

Tietoja käyttäjille vanhojen laitteiden hävittämisestä

Huomio:

Tämä symboli on voimassa vain Euroopan unionissa.

**[Euroopan unioni]**

Tämä symboli tarkoittaa, että sähkö- ja elektroniikkalaitteita ei tule laittaa talousjätteisiin, kun ne poistetaan käytöstä. Sen sijaan tuotteet tulee toimittaa asianmukaiseen sähkö- ja elektroniikkalaitteiden kierrätyspisteeseen, jossa ne käsitellään uusiokäyttöä ja kierrätystä varten paikallisen lainsäädännön mukaan.

Kun hävität tuotteen asianmukaisella tavalla, autat säästämään luonnonvaroja ja estämään mahdollisia ympäristö- ja terveyshaittoja, joita voisi aiheutua tämän tuotteen vääränlaisesta hävittämisestä. Lisätietoja keräyspisteistä ja tämän tuotteen kierrätyksestä saat paikkakuntasi viranomaisilta, kotitalousjätteiden keräyksestä huolehtivasta yrityksestä tai liikkeestä, josta ostit tuotteen.

Tuotteen vääränlaisesta hävittämisestä voi seurata paikallisen lainsäädännön mukaisia rangaistuksia.

(Yrityskäyttäjät)

Jos haluat hävittää tämän tuotteen, web-sivustoltamme osoitteessa www.jvc-europe.com löydät tietoja käytetyn tuotteen palautuksesta.

[Muut maat Euroopan unionin ulkopuolella]

Jos haluat hävittää tämän tuotteen, tee se kansallisen lainsäädännön tai muiden maassasi voimassa olevien määräysten mukaan, jotka koskevat vanhojen sähkö- ja elektroniikkalaitteiden käsittelyä.

РУССКИЙ

Информация для пользователей, выбрасывающих старое оборудование

Внимание:
Действие этого
символа
распространяется
только на Европейский



[Европейский Союз]

Это символ указывает, что после окончания срока службы соответствующего электрического или электронного оборудования, нельзя выбрасывать его вместе с обычным бытовым мусором. Вместо этого, оно подлежит сдаче на утилизацию в соответствующий пункт приема электрического и электронного оборудования для последующей переработки и утилизации в соответствии с национальным законодательством.

Обеспечивая правильную утилизацию данного продукта, Вы помогаете сберечь природные ресурсы и предотвращаете ущерб для окружающей среды и здоровья людей, который возможен в случае ненадлежащего обращения. Более подробную информацию о пунктах приема и утилизации данного продукта можно получить в местных муниципальных органах, на предприятии по вывозу бытового мусора или по месту приобретения продукта. Нарушение правил утилизации данного типа отходов в соответствии с национальным законодательством является административным правонарушением.

(Организации-пользователи)

Прежде чем выбрасывать данный продукт, ознакомьтесь с информацией о приемке отработавших продуктов, приведенной на веб-узле www.jvc-europe.com.

[Страны, не входящие в Европейский Союз]

Если Вы собираетесь выбросить данный продукт, руководствуйтесь национальным законодательством или другими правилами, действующими в Вашей стране по отношению к переработке старого электрического и электронного оборудования.

About Burning-in of D-ILA Device

■ Do not allow the same still picture to be projected for a long time or an abnormally bright video image to be projected

Do not project still images, etc. with a high intensity or high contrast on the screen for a long time. This video image could be burnt into this D-ILA device.

Pay special attention when projecting video games and computer program images.

There is no problem with ordinary video cassette playback images.

Viewing Conditions (Brightness of Room)

■ Brightness of the room

Avoid direct exposure of screen to direct sunlight and illumination. Block light using a curtain. Images can be well projected by darkening the brightness of the room.

■ Do not view screen for prolonged hours

Looking at the screen continually for a prolonged time will cause your eyes to get tired. Allow your eyes to rest at intervals.

■ Do not use this unit when image flickers

This may cause your eyesight to deteriorate.

Environment of Use

■ Do not use this unit in rooms with cigarette smoke or oily smoke

Do not use this unit in rooms with cigarette smoke or oily smoke. This may cause the unit to malfunction.

■ When mounting this unit to the ceiling

Check temperature around the unit.

When a heater is in use, the ceiling may reach a temperature higher than anticipated, hence leading to malfunction of the unit.

Maintenance Procedures

■ Clean dirt on the cabinet

with a soft cloth. In case of heavy soiling, soak a cloth in neutral detergent diluted with water, wring dry and wipe, followed by wiping again using a dry cloth.

■ Pay attention to the following as the cabinet may deteriorate in condition, get damaged or paint may come off.

- Do not wipe with a stiff cloth
- Do not wipe with force
- Do not wipe with thinner or benzene
- Do not spray volatile chemicals like insecticide
- Do not allow prolonged contact with rubber or plastic products

■ Dirt on the lens

shall be cleaned using commercial blowers or lens cleaning papers (for cleaning glasses and cameras).

Do not use fluid-type cleaning agents. This may lead to peeling of the surface coating film.

Lens surface is fragile. Avoid rubbing it hard or knocking it.

Standard for gauging replacement time of components

There are replacement components required for maintenance of the functions of this product such as optical components, cooling fan and filters. Life span of components varies considerably with the frequency of use and environment in which they are used. For replacement of components (except filters), please consult your authorized dealer.

Contents

SAFETY PRECAUTIONS	2	Basic Operation Procedures	26
Caution	9	Adjustments and Settings Using Menus	28
Accessories	10	Menu Structure	28
Accessories	10	Menu Operation Buttons	29
Optional Accessories	10	Procedures for Menu Operation	30
Controls and Features	11	Menu Configuration	31
Front Side/Top Surface/Bottom Surface	11	Screen Masking	33
Rear Side/Right Side	12	Picture Shift Setting	34
Control Panel	13	Replacing the Lamp	35
Indicators	14	Light-source Lamp and Lamp Usage Time	35
Indicator Display	15	Procedure for Lamp Replacement	36
Remote Control	16	Resetting Lamp Time	38
Loading Batteries into the Remote Control	17	Cleaning and Replacing the Filter	39
Installing the Projector	18	What to do when these messages	
Precautions for Installation	18	are displayed	40
Mounting this Unit	19	Warning Indication	41
Projector and Screen Installation	20	Troubleshooting	42
Screen Size and Projection Distance	21	Terminal Description	44
Lens Shift Setting	22	Pin Arrangement	44
Effective Range of Remote Control Unit	23	RS-232C External Control	45
Connecting to Various Devices	24	Specifications	47
Connecting to Devices	24		
Connecting the Power Cord (Supplied)	25		

Accessories

Accessories

The following accessories are packed together with this unit. Please confirm all items.
If any item is missing, please contact your dealer.

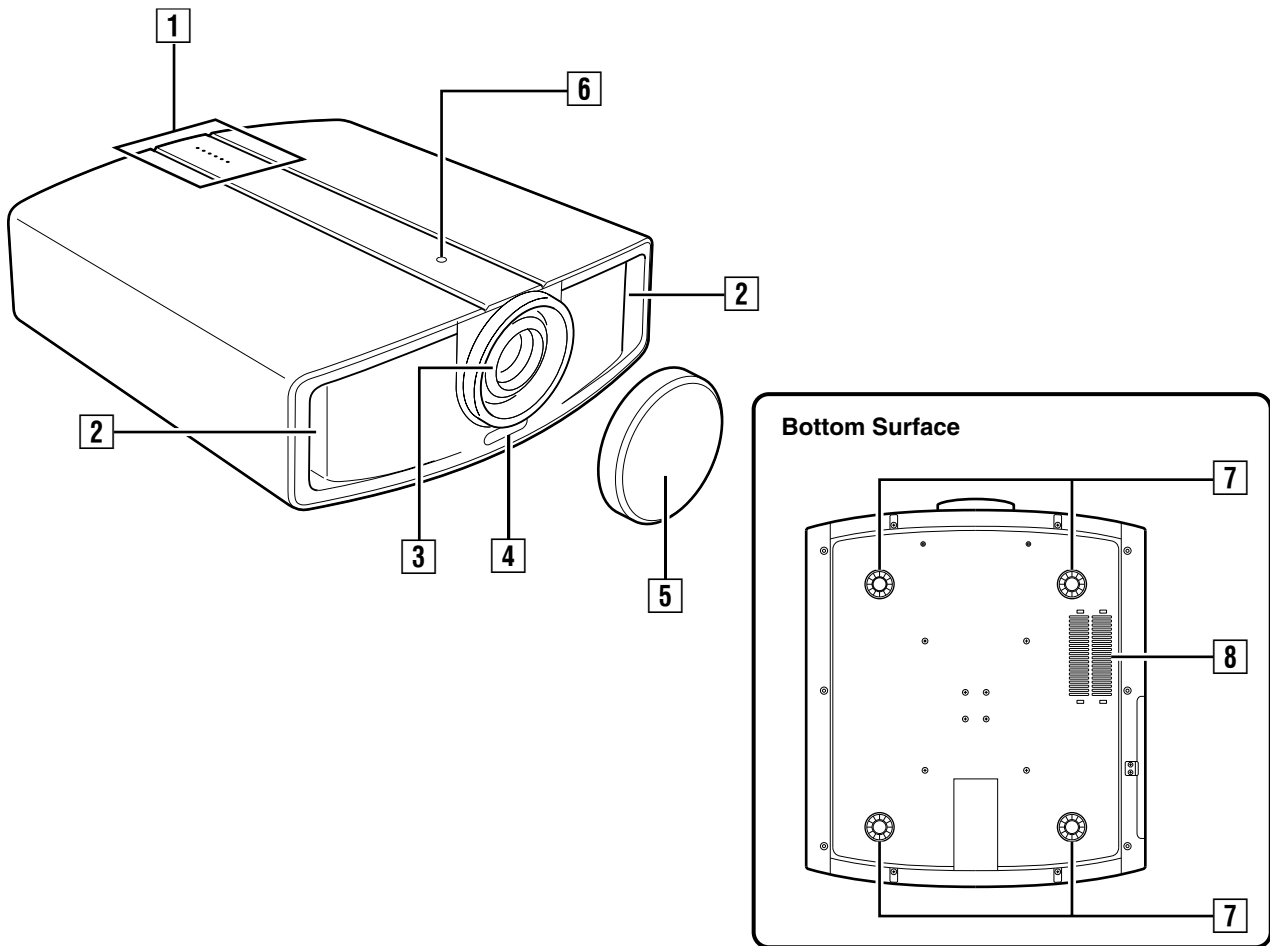
Instructions	x 1
Guarantee	x 1
Power Cord	x 1
Remote Control (RM-MH10KG)	x 1
AAA size Batteries (for operation confirmation)	x 2

Optional Accessories

Please seek your authorized dealer for details.

- Replacement Lamp : BHL5008-S (Lamp Unit)
- Replacement Filter : LC32058-002A (Inner Filter)

Front Side/Top Surface/Bottom Surface



1 Indicator

Please refer to “Indicators” (☞ Page 14) for details.

2 Air Inlets (2 in front and 1 at bottom surface)

The air inlets absorb air to cool the interior of the unit. Do not block or allow warm air to blow into them. This may cause the unit to malfunction.

3 Power Zoom Lens

DLA-HD10KU/E :1.9x power zoom lens
DLA-HD10KSU/E:1.4x power zoom lens

- Before projection, remove the lens cap. (☞ Page 26)

4 Remote Sensor (Front)

When operating with the remote control, aim it towards the sensor. (☞ Page 23)

- A remote sensor is also located on the rear of the unit.

5 Lens Cap

- Fit the cap on the lens when this unit is not in use to prevent the lens from becoming dirty. (☞ Page 26)

6 Lens Shift Cover

Remove this cover when using the Lens Shift feature for shifting the projecting position in the vertical direction. (☞ Page 22)

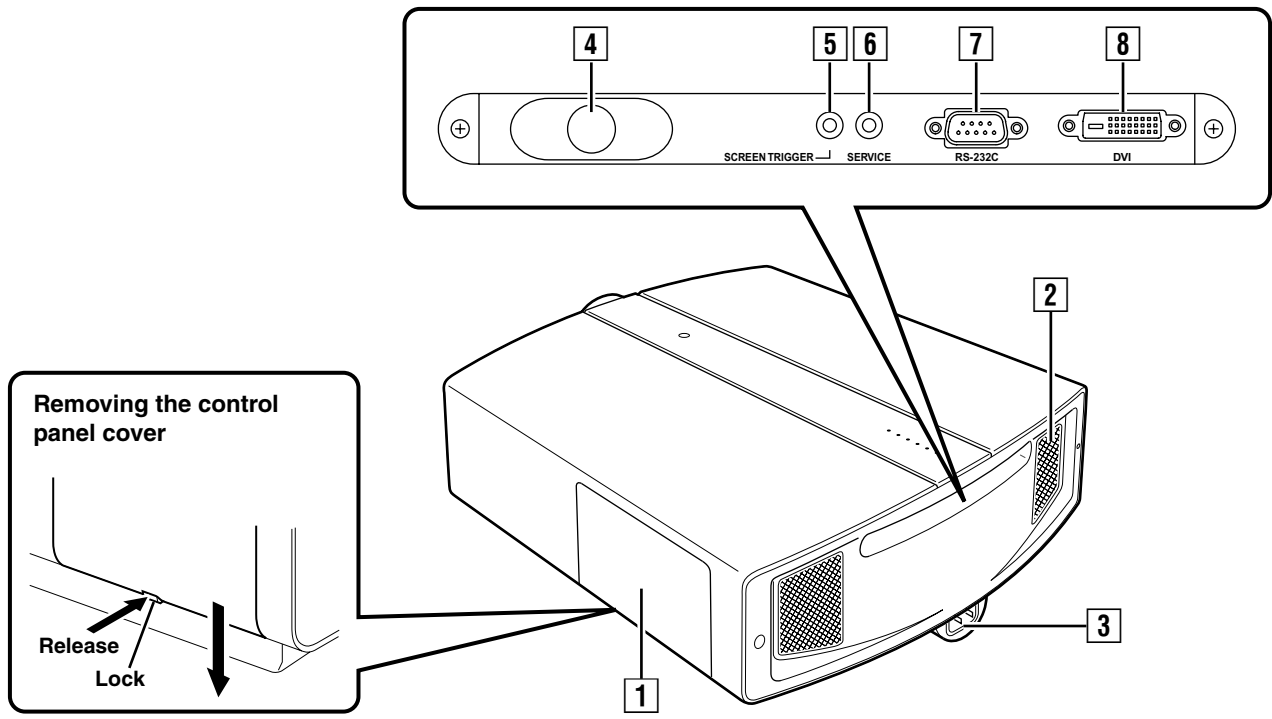
7 Foot

It is set at the lowest position when shipped from the factory. This unit does not come with a function to adjust the gradient.

8 Filter

Cleans air drawn in from the air inlet. Please clean this filter regularly. (☞ Page 39)

Rear Side/Right Side



1 Control Panel Cover

Remove this cover when operating this unit or when replacing the lamp unit.

- Unlock the cover, followed by sliding it downwards to remove it.
- Please refer to page 13 for details on the control panel.

Handling the Control Panel Cover

- The gap between this unit and the control panel cover is narrow. Be careful not to stick your finger into the gap between this unit and the control panel cover.
- Be careful of the protrusions and corners of components to avoid injury.
- After attaching the control panel cover, check that the lock is fastened. The control panel cover may drop and cause injury.

2 Exhaust Vent

Warm air is expelled through this vent to keep the system cool. Do not block the exhaust vents. This may cause the unit to malfunction.

3 AC Power Input Terminal

This is the AC power input terminal. Connect the supplied cord to this terminal. (☞ Page 25)

4 Remote Sensor (Rear)

When operating with the remote control, aim it towards the sensor. (☞ Page 23)

- A remote sensor is also located at the front of the unit.

5 SCREEN TRIGGER Terminal

This terminal is used for controlling the SCREEN TRIGGER-compatible elevating screen. An output at DC +12 V/100 mA (max.) is produced when the power is on.

- Consult a qualified technician for a connection with the screen.

6 [SERVICE] Terminal

This terminal is intended for servicing purposes. Do not use it. Using it may give rise to error and malfunction of the unit.

7 [RS-232C] Terminal (D-sub 9 Pin)

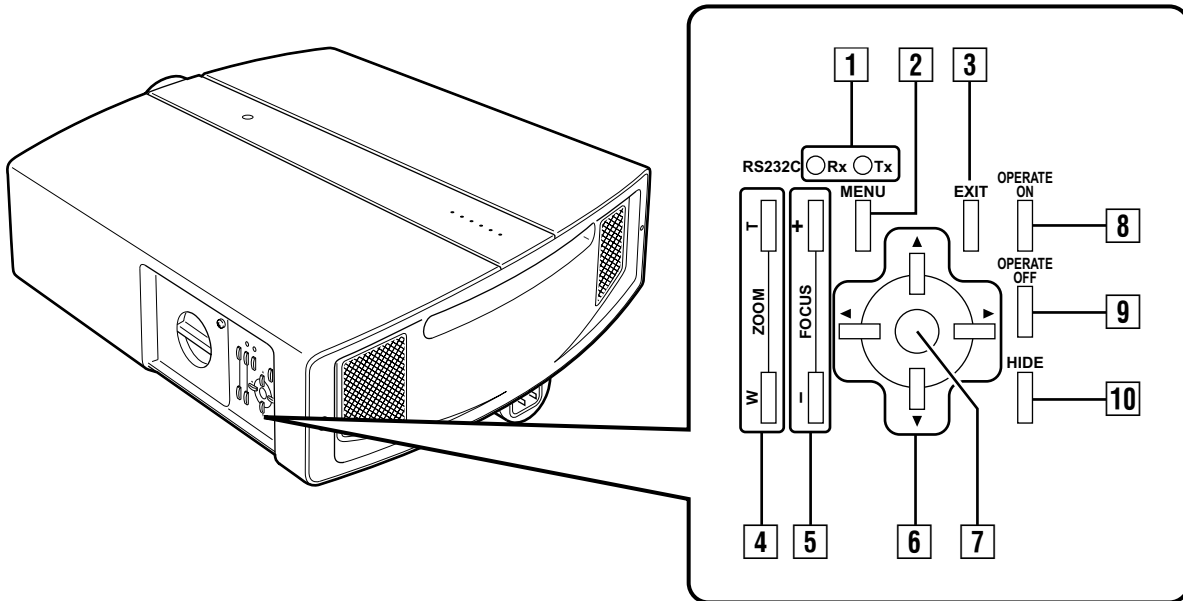
This is the RS-232C interface-specific terminal. This unit can be controlled by a computer connected externally. (☞ Pages 24, 45)

- For details, please check with your authorized dealer.

8 [DVI] Terminal (DVI-D 24 Pin)

This is an input terminal for video signals. Video signals that can be input are 1080/50p and 1080/60p signals. (☞ Page 24)

Control Panel



1 [Rx/Tx] Indicator

This indicator lights up during communication with the computer using the RS-232C terminal. (☞ Page 15)

[Rx] : Lights up when this unit is receiving **RS-232C** data.

[Tx] : Lights up when this unit is sending **RS-232C** data.

2 [MENU] Button

Press this button to display the menu. Pressing this button when the menu is displayed clears the menu. (☞ Pages 29, 30)

3 [EXIT] Button

Press this button to return to the previous hierarchical menu (for example, to return from submenu to main menu). Pressing this button when the main menu is displayed clears the menu. (☞ Pages 29, 30)

4 [ZOOM T/W] Button

Press this button to change the size of the projected image. (☞ Page 26)

5 [FOCUS +/-] Button

Press this button to adjust focus of the projected image. (☞ Page 27)

6 Cursor [▲ / ▼ / ◀ / ▶] Buttons

Use these buttons when adjusting the menu items. (☞ Pages 29, 30)

7 [ENTER] Button

Press this button to show the next hierarchical menu (for example, to enter submenu from main menu). It is also used when “ENTER” is displayed against a selection item on the menu screen. (☞ Pages 29, 30)

8 [OPERATE ON] Button

When this unit is in the standby mode, pressing this button for more than 1 second will turn the unit on and cause the [OPERATE] indicator to light up. (☞ Page 26)

9 [OPERATE OFF] Button

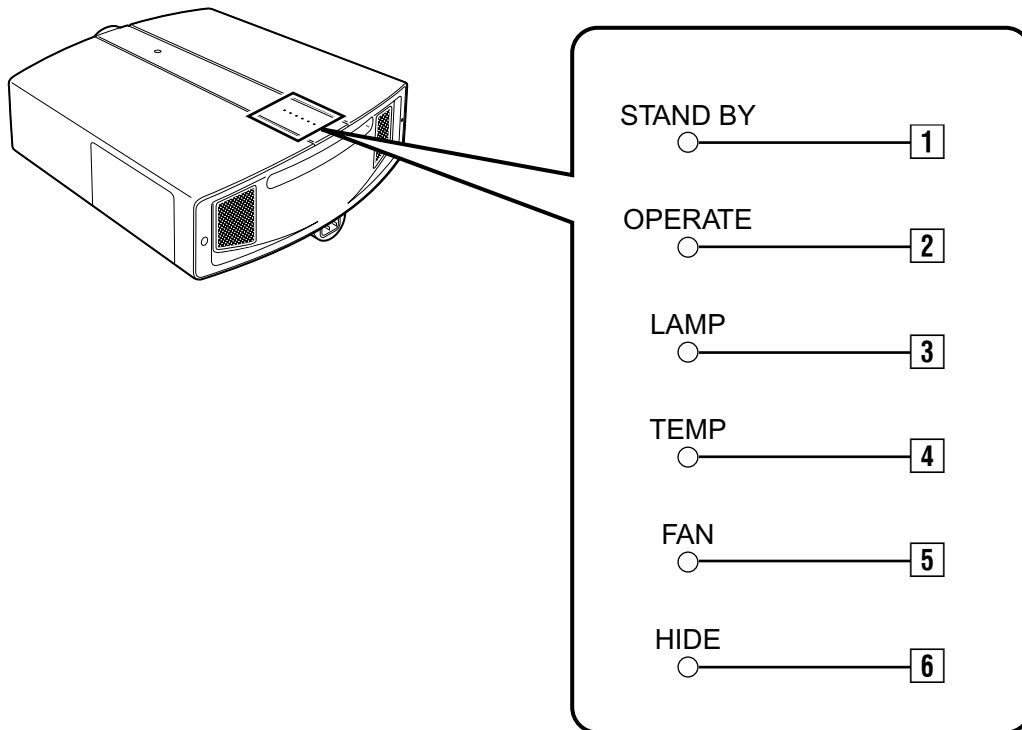
When this unit is operating (projecting), pressing this button for more than 1 second switches the unit to the cool down mode, which will automatically switch to the standby mode after about 60 seconds. (☞ Page 27)

- The [OPERATE OFF] button will not work within approximately 1 minute after the light source has been turned on. Start operation only after 1 minute's time.

10 [HIDE] Button

Use this button to temporarily clear the video image. Press again to resume. (☞ Page 27)

Indicators



1 [STAND BY] Indicator

Light on : When in the standby mode.

(☞ Pages 15, 26)

Blinking : When in the cool down mode.

(☞ Pages 15, 27)

2 [OPERATE] Indicator

Light on : When this unit is currently operating (projecting). (☞ Pages 15, 26)

3 [LAMP] Button

Light on : When the lamp needs to be replaced soon or immediately. (☞ Page 15)

When the lamp cover is removed.

(☞ Page 41)

When the lamp does not light up and the unit is unable to project, or when the lamp goes off during projection. (☞ Page 41)

4 [TEMP] Indicator

Light on : When the internal temperature of the unit is abnormally high. (☞ Page 41)

Blinking : When the lamp needs to be replaced soon or immediately. (☞ Page 15)

When an abnormality has occurred in this unit. (☞ Page 41)

5 [FAN] Indicator

Light on : When the internal fan abnormally stopped running. (☞ Page 41)

Blinking : When the lamp has reached the end of its life and it is time to replace the lamp.

(☞ Page 15)

When an abnormality has occurred in this unit. (☞ Page 41)

6 [HIDE] Indicator

Light on : When the video image is temporarily cleared upon pressing the [HIDE] button.

(☞ Pages 15, 27)

Blinking : When an abnormality has occurred in this unit. (☞ Page 41)

Indicator Display

This unit displays operational states using different combination of indicators.

- Please refer to page 35 for explanations on warning indication for ^{*2}.
- Please refer to page 41 for indications when an abnormality occurs in this unit.

Indicator Display on the Top Surface

Indicator						Description
STAND BY	OPERATE	LAMP	TEMP	FAN	HIDE	
Light On	—	—	—	—	—	Unit is in standby mode
—	Light On	—	—	—	—	Unit is in operate mode (during projection)
—	Light On	—	—	—	Light On	When the video image is temporarily cleared upon pressing the [HIDE] button during projection
Blinking	—	—	—	—	—	^{*1} Unit is in cool down mode (when cooling lamp)
—	—	Light On	Blinking	—	—	^{*2} About time to replace lamp (Lamp usage time has exceeded 1900 hours)
—	—	Light On	—	Blinking	—	^{*2} Lamp life has expired (Lamp usage time has exceeded 2000 hours)
—	—	Light On	Blinking	Blinking	—	^{*2} When unit is forced to switch to cool down mode Time to replace lamp (Lamp usage time has exceeded 2010 hours)

Indicator Display on the Control Panel

Indicator		Description
Rx	Tx	
Light On	—	When this unit is receiving RS-232C data
—	Light On	When this unit is sending RS-232C data

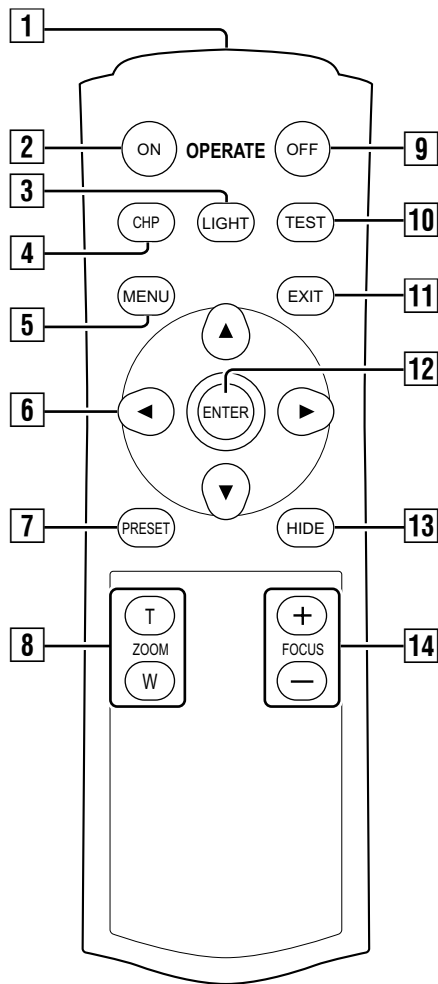
^{*1} About Cool Down Mode

After projection, the heated lamp will go through a 60-second cool-down process known as the cool down mode. This function is to prevent damage and deformation that heat from the heated lamp may cause to the internal components of this unit. It also prevents lamp breakage and shortened lamp life. The cool down mode is indicated by the blinking [STAND BY] indicator. When in the cool down mode, the [OPERATE ON] button will be disabled. After the cool down process is completed, the unit will automatically switch to the standby mode.

CAUTION:

When in the cool down mode, do not pull out the plug from the power outlet. Also, do not block the air inlets/exhaust vents by standing this unit on its end or laying it on its side.

Remote Control



1 Remote Control's Signal Transmitter
(☞ Page 23)

2 [OPERATE ON] Button
When this unit is in the standby mode, pressing this button for more than 1 second will turn the unit on and cause the [OPERATE] indicator to light up.
(☞ Page 26)

3 [LIGHT] Button
Lights up illumination (light) of the remote control buttons for about 10 seconds.

4 [CHP] (Cross Hatch Pattern) Button
Press this button to adjust the focus. Pressing this button projects a green cross hatch signal for adjustment.
• Press the [EXIT] button to return to the original image.

5 [MENU] Button
Press this button to display the menu. Pressing this button when the menu is displayed clears the menu.
(☞ Pages 29, 30)

6 Cursor [▲ / ▼ / ◀ / ▶] Buttons
Use these buttons when adjusting the menu items.
(☞ Pages 29, 30)

7 [PRESET] Button
Use this button to reset the values to factory settings when items in the menu are selected.

8 [ZOOM T/W] Button
Press this button to change the size of the projected image.
(☞ Page 26)

9 [OPERATE OFF] Button
When this unit is operating (projecting), pressing this button for more than 1 second switches the unit to the cool down mode, which will automatically switch to the standby mode after about 60 seconds.
(☞ Page 27)
• The [OPERATE OFF] button will not work within approximately 1 minute after the light source has been turned on. Start operation only after 1 minute's time.

10 [TEST] Button
Press this when adjusting focus, screen size or picture quality. Press the button to switch to the test pattern image for adjustment.
• Alter the test pattern with the [TEST] button.
• Press the [EXIT] button to return to the original image.

11 [EXIT] Button
Press this button to return to the previous hierarchical menu (for example, to return from submenu to main menu). Pressing this button when the main menu is displayed clears the menu.
(☞ Pages 29, 30)

12 [ENTER] Button
Press this button to show the next hierarchical menu (for example, to enter submenu from main menu). It is also used when "ENTER" is displayed against a selection item on the menu screen.
(☞ Pages 29, 30)

13 [HIDE] Button
Press this button to temporarily clear the video image. Press again to resume.
(☞ Page 27)

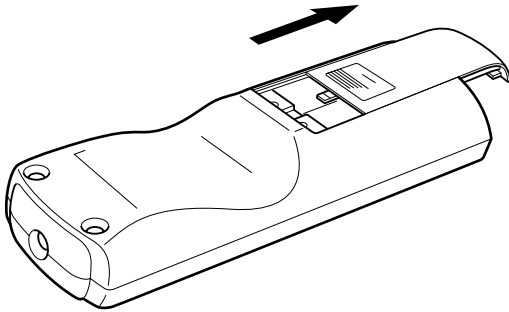
14 [FOCUS +/-] Button
Use this button to adjust focus of the projected image.
(☞ Page 27)

Loading Batteries into the Remote Control

Load batteries into the remote control. If the remote control starts to function erratically, replace the batteries.

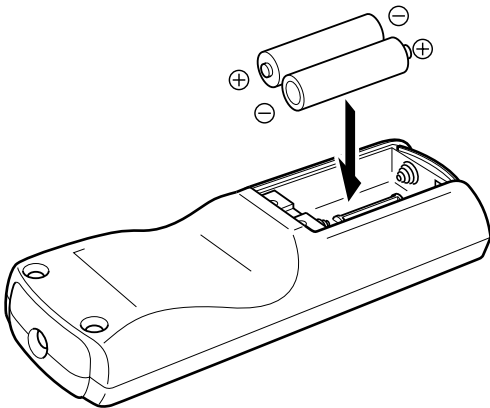
1 Open the back cover

Press the back cover slightly and slide it in the direction of the arrow.



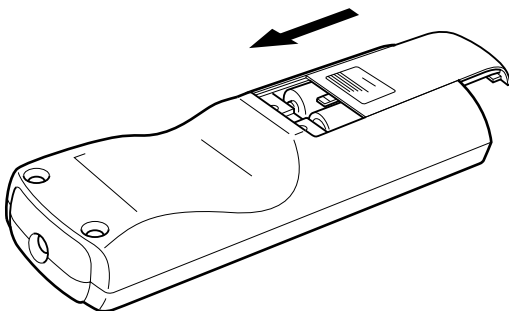
2 Load the batteries

Insert the 2 (AAA) batteries supplied according to the \oplus , \ominus marks. To prevent short circuit, be sure to insert the \ominus (minus) end of the battery first.



3 Close the back cover

Slide in the direction of the arrow to close the back cover.



Precautions for Using Batteries

If batteries are incorrectly used, they may crack or leak. This could cause fire, burn, malfunction, and staining or damaging of the surroundings. Beware of the following:

- Do not mix new and old batteries.
- Do not mix different type of batteries as they are different in characteristics.
- Insert batteries according to the \oplus \ominus marks on the battery case.
- Be sure to insert the minus \ominus end in first to prevent short circuit.
- Do not put batteries into fire or recharge them.
- Use only designated batteries.
- Remove the batteries if the remote control is not to be used for a prolonged period.
- Use manganese batteries wherever possible. Do not use rechargeable, alkaline batteries.
- Read the cautions displayed on the batteries.

Battery Life

Batteries last for 6 months to 1 year under normal use. However, batteries provided are for confirming operation and may not last that long. When the remote control fails to operate properly, replace the batteries with new ones.

Battery Leakage

When the batteries are totally exhausted and can no longer be used, replace them immediately. Leaving the batteries in the battery compartment causes leakage, which may in turn lead to malfunction.

Installing the Projector

Precautions for Installation

Please read the following carefully when installing this unit.

Installation Environment

This unit is a precision device. Do not install it at the following places. Doing so may cause fire or malfunction of the unit.

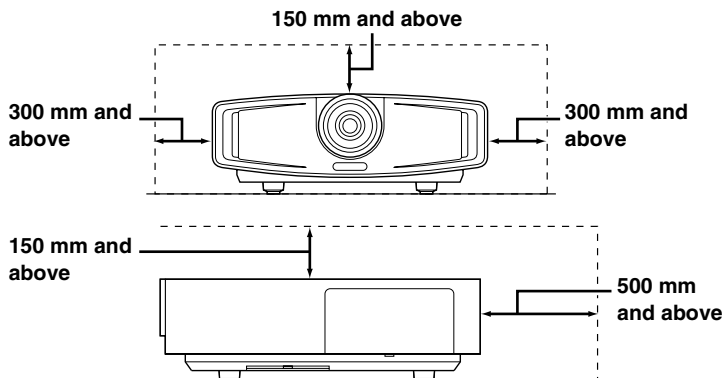
- Where there is water, humidity or dust
- Where the unit may be subjected to oily or cigarette smoke
- On a soft surface such as carpet or cushion
- Where the unit may be subjected to high temperature due to direct sunlight
- When temperature is high or low
Allowable operation temperature range: +5 °C to +35 °C
Allowable relative humidity range: 20 % to 80 % (no condensation)
Allowable storage temperature range: -10 °C to +60 °C
- Any room in which there is cigarette smoke or grease
Even where smoke and grease levels are minimal, prolonged exposure will affect this unit. This unit emits heat and optical components are cooled down by taking in a large amount of air. The optical path may be soiled by grease/dirt, thus causing images to become dark or color projection to deteriorate. When soiling on the optical components occurs, removal of grease/dirt totally will not be possible.

Precautions for Usage

This unit makes use of a light source lamp that may reach a high temperature during projection. Do not allow projection under the following conditions. Doing so may cause fire or malfunction of the unit.

- Projection with the unit laid on its sides
- Projection with the unit installed in an unreasonable angle
Avoid using this unit at an angle of more than $\pm 5^\circ$ horizontally and $\pm 25^\circ$ vertically. Doing so may cause unevenness in the color or shorten the lamp life.
- Projection at a location that blocks the air inlets or exhaust vents
- Projection at a place exposed to air blasts from an air-conditioner

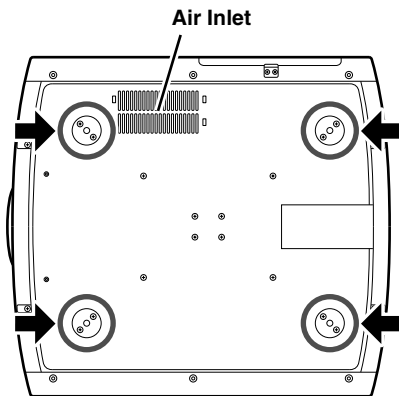
Minimum Space Required



Do not use a cover which may enclose this unit or block the air inlets/exhaust vents. Allow sufficient space around this unit. When this unit is enclosed in a space of dimensions as indicated on the left, use an air-conditioner so that internal and external temperatures are the same.

Mounting this Unit

When mounting of this unit is required, do so by removing the 4 feet and make use of the 4 screw holes (M8 nuts) at the bottom of this unit. Allow sufficient space around the air inlets to avoid blocking them.



Precautions for Ceiling-mount

- To ceiling-mount this unit, special expertise and techniques are necessary. Be sure to ask your dealer (or a specialist) to perform mounting (to ceilings, etc.).
- Do not mount at places that may be subjected to vibration and shock.
- Depth of the screw holes (screw length) is 30 mm. Use screws shorter than 30 mm but longer than 19 mm. Otherwise, the screws may damage the internal parts of this unit and cause malfunction.
- Install at a safe place in case this unit or a part of it may drop. If the light-source lamp is broken, small pieces of glass from the mesh of the filter may appear outside this unit.

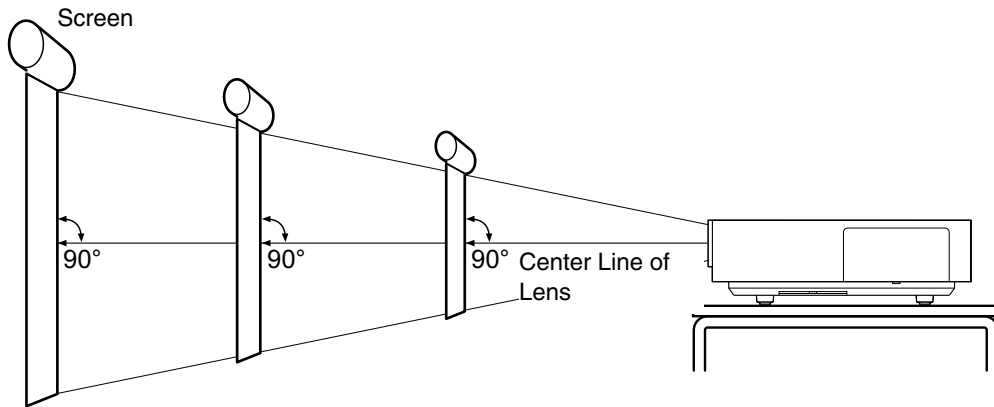
Installing the Projector (continued)

Projector and Screen Installation

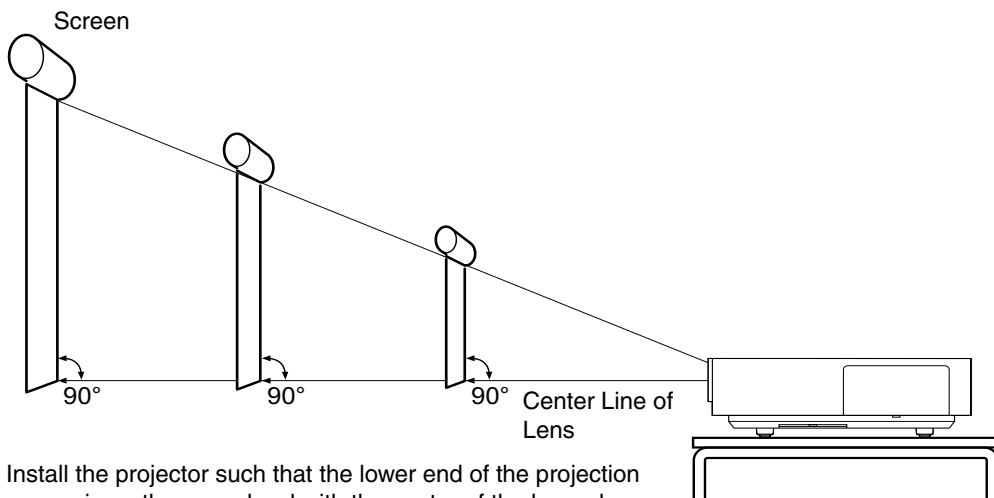
The optimum image can be obtained when the center of this projector's lens and the screen are placed perpendicular to each other. Take note of the projection angle when placing them. Failing to do so may give rise to trapezoidal distortion of the projected image.

- This unit does not come with a function to correct trapezoidal distortion or adjust horizontal gradient.

When viewed from the left (or right)

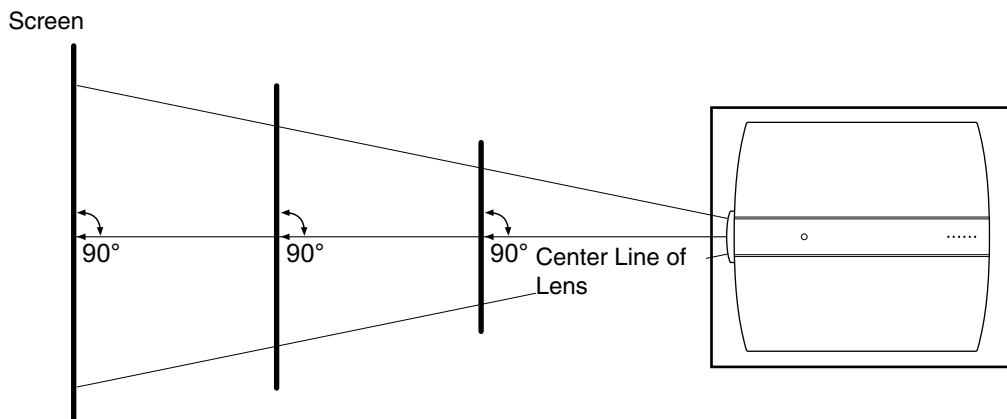


Install the projector such that the center of the projection screen is on the same level with the center of the lens when there is a 0 % shift (offset).



Install the projector such that the lower end of the projection screen is on the same level with the center of the lens when there is a 50 % shift (offset).

When viewed from the top (or bottom)



Screen Size and Projection Distance

Adjust the distance from the lens to the screen to achieve your desired screen size.

■ DLA-HD10KSU/E

DLA-HD10KSU/E uses a 1.4x power zoom lens for projection, so when expanded to the maximum it can project at 1.4 times the size of the minimum.

■ DLA-HD10KU/E

DLA-HD10KU/E uses a 1.9x power zoom lens for projection, so when expanded to the maximum it can project at 1.9 times the size of the minimum.

Relationship Between Projection Distance and Projection Screen Size

Projection Screen Size Aspect Ratio 16:9	DLA-HD10KSU/E (1.4x Zoom Lens)	DLA-HD10KU/E (1.9x Zoom Lens)
	Approximate Projecting Distance	Approximate Projecting Distance
	W (Wide) - T (Tele)	W (Wide) - T (Tele)
60" (Approx. 152.4 cm)	(Approx. 1.96 m) - (Approx. 2.77 m)	(Approx. 2.58 m) - (Approx. 4.94 m)
70" (Approx. 177.8 cm)	(Approx. 2.29 m) - (Approx. 3.23 m)	(Approx. 3.02 m) - (Approx. 5.78 m)
80" (Approx. 203.2 cm)	(Approx. 2.63 m) - (Approx. 3.70 m)	(Approx. 3.46 m) - (Approx. 6.62 m)
90" (Approx. 228.6 cm)	(Approx. 2.96 m) - (Approx. 4.17 m)	(Approx. 3.90 m) - (Approx. 7.46 m)
100" (Approx. 254.0 cm)	(Approx. 3.29 m) - (Approx. 4.64 m)	(Approx. 4.34 m) - (Approx. 8.30 m)
110" (Approx. 279.4 cm)	(Approx. 3.63 m) - (Approx. 5.11 m)	(Approx. 4.79 m) - (Approx. 9.14 m)
120" (Approx. 304.8 cm)	(Approx. 3.96 m) - (Approx. 5.57 m)	(Approx. 5.23 m) - (Approx. 9.98 m)
130" (Approx. 330.2 cm)	(Approx. 4.29 m) - (Approx. 6.04 m)	(Approx. 5.67 m) - (Approx. 10.82 m)
140" (Approx. 355.6 cm)	(Approx. 4.63 m) - (Approx. 6.51 m)	(Approx. 6.11 m) - (Approx. 11.65 m)
150" (Approx. 381.0 cm)	(Approx. 4.96 m) - (Approx. 6.98 m)	(Approx. 6.55 m) - (Approx. 12.49 m)
160" (Approx. 406.4 cm)	(Approx. 5.30 m) - (Approx. 7.45 m)	(Approx. 6.99 m) - (Approx. 13.33 m)
170" (Approx. 431.8 cm)	(Approx. 5.63 m) - (Approx. 7.91 m)	(Approx. 7.43 m) - (Approx. 14.17 m)
180" (Approx. 457.2 cm)	(Approx. 5.96 m) - (Approx. 8.38 m)	(Approx. 7.88 m) - (Approx. 15.01 m)
190" (Approx. 482.6 cm)	(Approx. 6.30 m) - (Approx. 8.85 m)	(Approx. 8.32 m) —
200" (Approx. 508.0 cm)	(Approx. 6.63 m) - (Approx. 9.32 m)	(Approx. 8.76 m) —

- The projection screen sizes (recommended) and projecting distances in the table above are provided only as a guide. Please use them as reference during installation.
The projected image size may vary depending on the manufacturing tolerance of the lens.
- Use a projection image of 16:9 aspect ratio for setup adjustment.

Lens Shift Setting

This unit comes with a Lens Shift feature that enables upward/downward adjustment of the projection screen position. Adjust accordingly depending on the installation conditions.

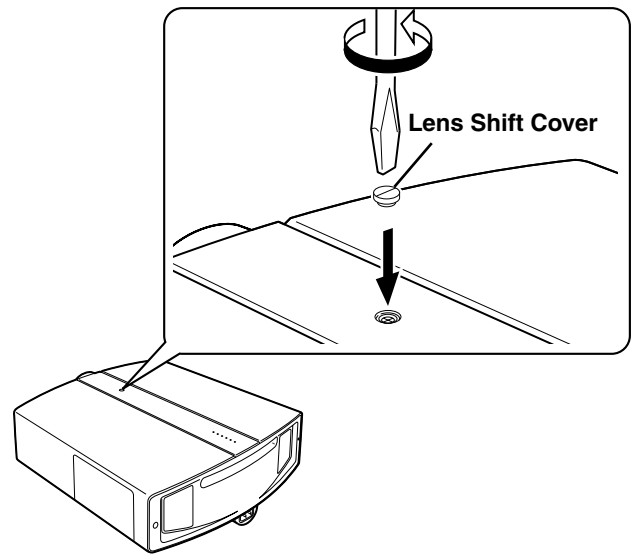
- The shift level is between 0 % and 60 %. The shift level is set to 50 % as the default.
- The position of the projection screen may be out of alignment due to the gear movement.
- When lens shift setting (adjustment) is completed, mount the lens shift cover to this unit.

1 Project the image on the screen

- Please refer to “Basic Operation Procedures” (Page 26) on the method of projection.

2 Remove the lens shift cover

- Remove the lens shift cover from this unit using a ⊖ screwdriver.

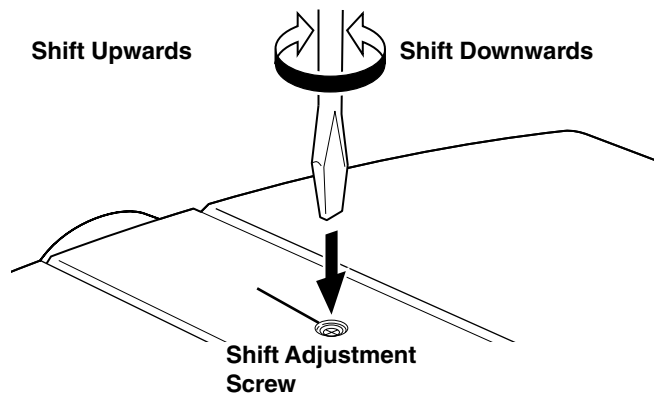


3 Adjust the projection screen position

- Turn the shift adjustment screw using a ⊖ screwdriver and adjust accordingly.

Turn clockwise : Screen shifts upwards.

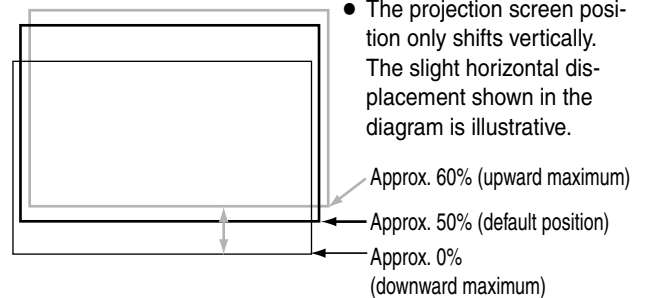
Turn anti-clockwise : Screen shifts downwards.



4 Mount the lens shift cover

- Mount the lens shift cover to this unit using a ⊖ screwdriver.

■ Projection screen position image according to shift level



Effective Range of Remote Control Unit

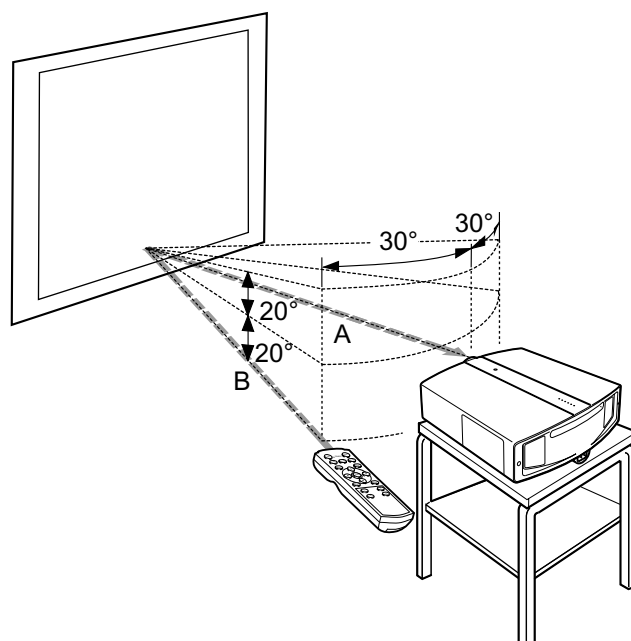
The operable distance of the remote control unit is about 7 m for direct reception. The remote control unit can be used by having the transmission signal reflected off a screen.

- If the fluorescent lamp is lit, the remote control unit might not function properly.

When reflecting off a screen

Ensure that total of distance A between this unit and screen and distance B between remote control and screen is within 7 m.

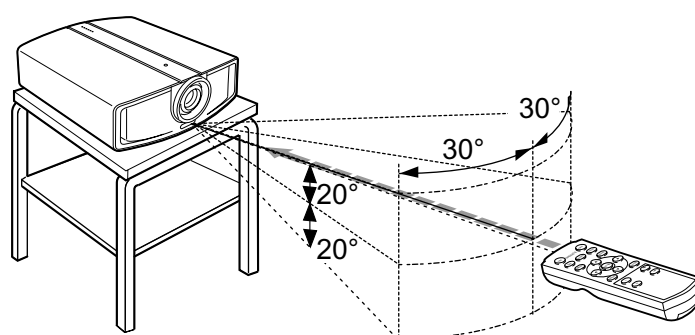
- As the effect of signals reflected from the remote control unit differ with the type of screen used, operable distance may decrease.



When directing remote control unit toward this unit

When aiming the remote control unit towards the remote sensor on this unit, ensure that the distance to the sensor in front or at the rear of this unit is within 7 m.

- If the remote control fails to work properly, move closer to the unit.
- Please refer to page 12 on location of the remote sensor at the rear of this unit.



Connecting to Various Devices

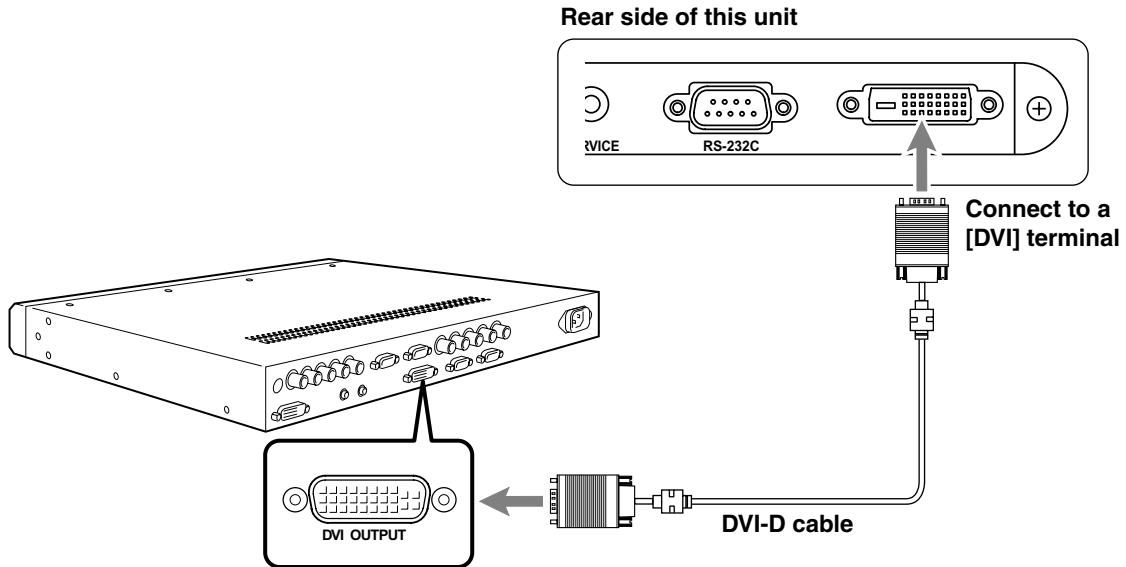
Connecting to Devices

Before connection, be sure to turn off both the projector and the device to be connected.

- Read the manual that is supplied with the device to be connected thoroughly.

Connecting to Devices

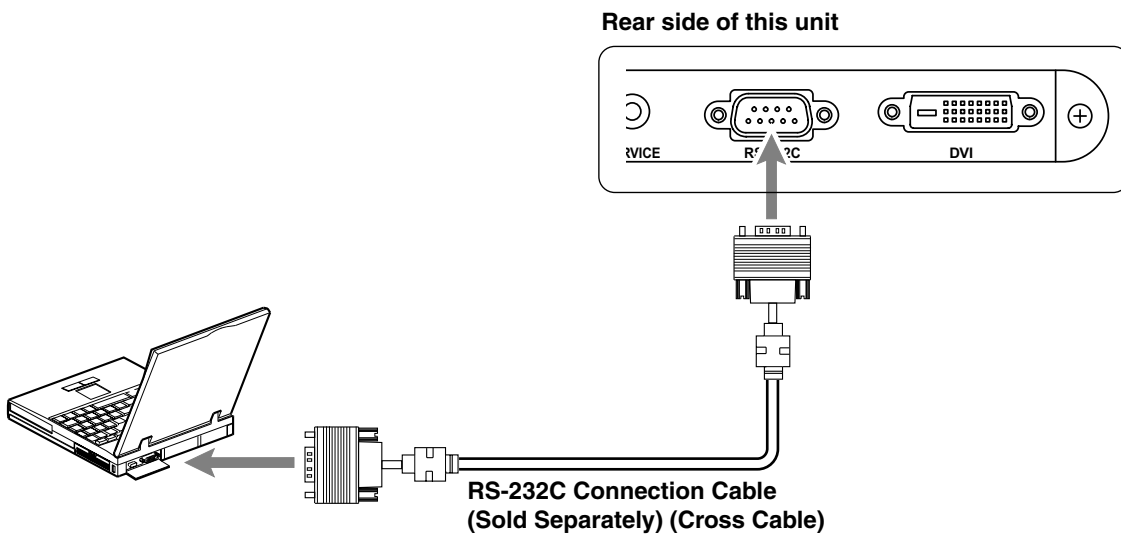
- Depending on your DVI-D cable, the signal may attenuate and the image become unstable.
- When using a DVI-D cable longer than 5 m, the use of a split system or optical fiber cable is recommended.
- Video signals that can be input to this unit are 1080/50p and 1080/60p signals for DVI-D.



Control from external device

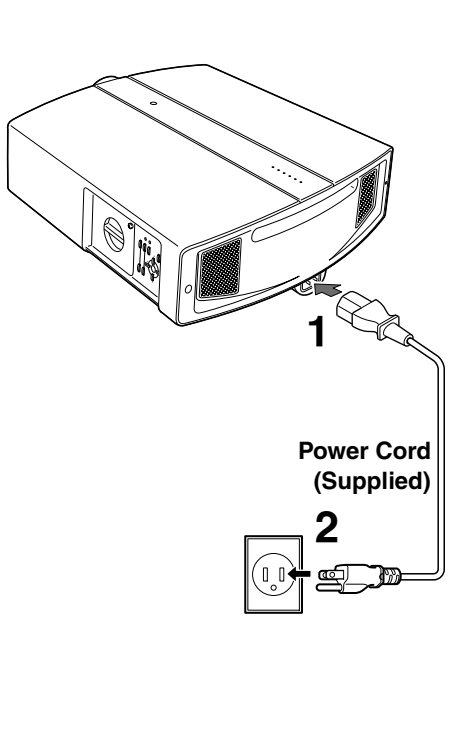
It is possible to control this unit by connecting a computer to the [RS-232C] terminal at the rear of this unit.

- Please request a connection cable from us if needed.
- For details, please consult your authorized dealer.



Connecting the Power Cord (Supplied)

Before plugging in the power cord, ensure that all devices have been connected.



1 Connect the supplied power cord to the power input terminal of this unit

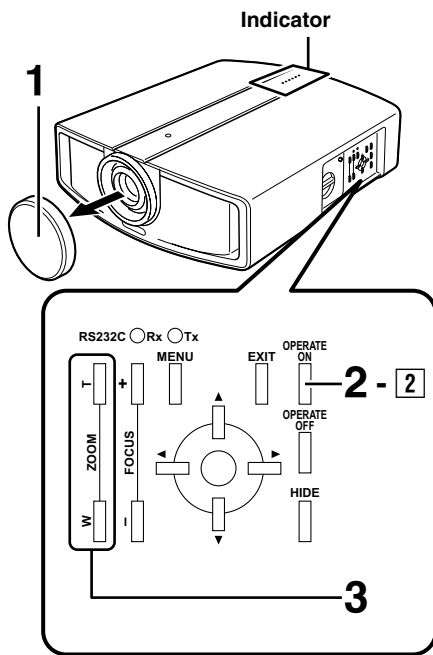
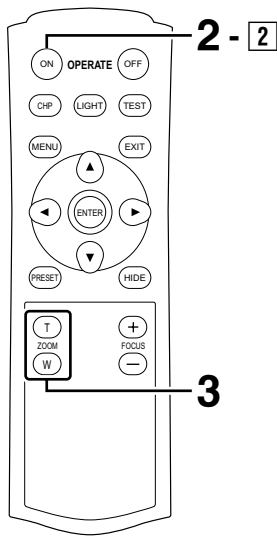
2 Connect the earth wire to the earth terminal available in the building, followed by inserting the main plug of the supplied power cord into the wall outlet

Cautions Against Fire and Electric Shock

- Since the power consumption of this unit is high, insert the power plug directly into a wall outlet.
- When not using devices, remove the power plug from the wall outlet.
- Do not use power cords for connection other than those supplied.
- Do not use a power voltage different from that which is indicated.
- Do not cut, tear or modify the power cords. Also, do not place a heavy object on, heat or stretch the power cords as this may cause damage to the cords.
- Do not insert or pull out plugs with a wet hand.

Basic Operation Procedures

If setting for this unit is not completed, please refer to “Adjustments and Settings Using Menus” (☞ Page 28) upon turning on the power and perform the required setting accordingly. Once the basic setting is completed, this unit can be used by simply performing the following operation procedures.



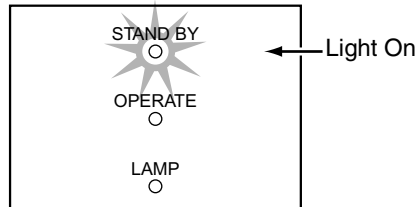
1 Removing the lens cap

- Upon using, mount the lens cap to prevent soiling of the lens.

2 Turning on the power

1 Insert the power plug to the power outlet

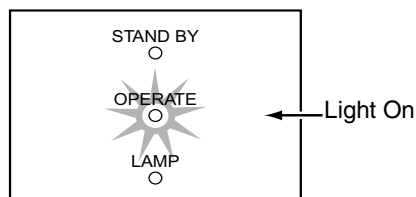
- The main power turns on and the [STAND BY] indicator on the unit lights up.



Indicators on this unit

2 Press the [OPERATE ON] button for 1 second or more

- The [OPERATE] indicator on this unit lights up and the projected image slowly appears.



Indicators on this unit

NOTES:

- Upon projection, the image may flicker for a few seconds. This is not a malfunction.
- When the light source is turned on, the lamp will slowly become brighter. It will take more than 1 minute for the brightness to stabilize.

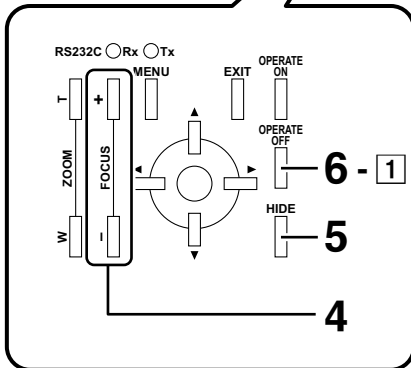
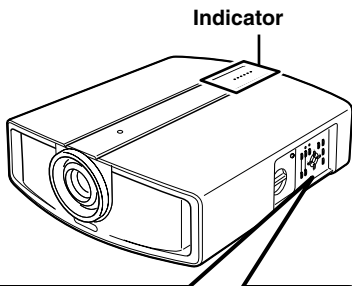
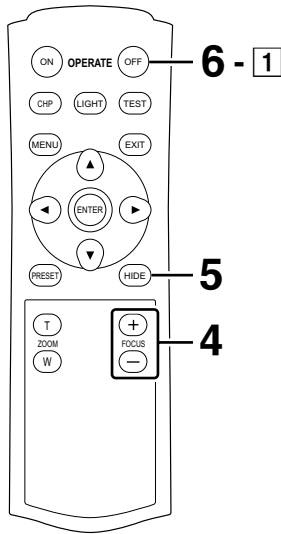
3 Adjusting zoom (screen size)

To enlarge the screen size, press the [ZOOM T] button

To reduce the screen size, press the [ZOOM W] button

NOTES:

- To adjust zoom and focus, set “Zoom/Focus” in the “Options” menu to “Unlock” (default setting: “Unlock”).
- When this is set to “Lock”, a “not available” message will be displayed upon pressing the [ZOOM T/W] or [FOCUS +/-] button, indicating that the operation is disabled.



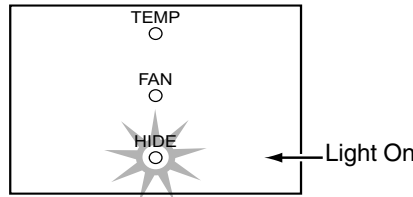
4 Adjusting focus

To focus on nearer points, press the [FOCUS +] button
 To focus on farther points, press the [FOCUS -] button

5 Hiding the image temporarily

Press the [HIDE] button

- The displayed image will disappear.
- Press the [HIDE] button again to restore the image.

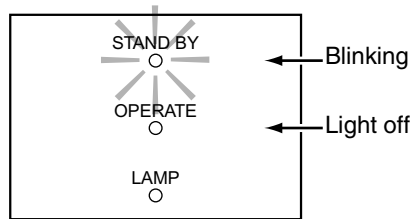


Indicators on this unit

6 Turning off the power

1 Press the [OPERATE OFF] button for 1 second or more

- The [OPERATE] indicator turns off, the [STAND BY] indicator starts blinking and this unit switches to the cool down mode. The cool down mode will last for about 60 seconds to allow the temperature of the light source to cool off. (Page 15)
- This unit switches to the standby mode at the end of the cool down mode.



Indicators on this unit

NOTE:

The [OPERATE OFF] button will not work within approximately 1 minute after the light source has been turned on. Start operation only after 1 minute's time.

2 Pull out the power plug from the power outlet

CAUTION:

Do not pull out the plug when the [STAND BY] indicator is blinking. This may shorten the lamp life and cause a malfunction.

Precautions During Use

This unit makes use of a light source lamp that may reach a high temperature during projection. Do not allow projection under the following conditions. Doing so may cause fire or malfunction of the unit.

- Projection with the unit laid on its sides
- Projection with the unit installed in an unreasonable angle
 Avoid using this unit at an inclined angle. Doing so may cause unevenness in the color or shorten the lamp life.
- Projection at a location that blocks the air inlets or exhaust vents
- Projection without removing the lens cap

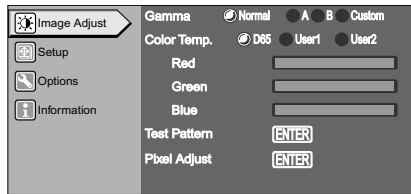
Adjustments and Settings Using Menus

The menus displayed on the screen are used to perform adjustment and setting for this unit.

Menu Structure

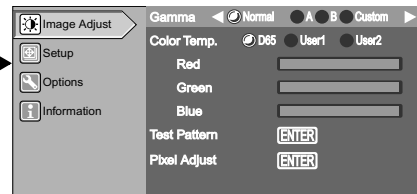
The menus of this unit have the following structure. Characters on the screen are displayed in English only.

Main Menu

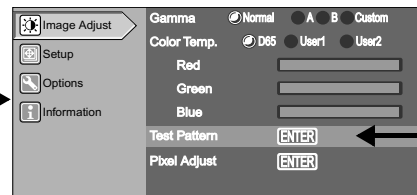


1 Image Adjust Menu

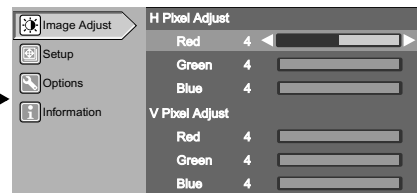
Submenu (Setting Menu)



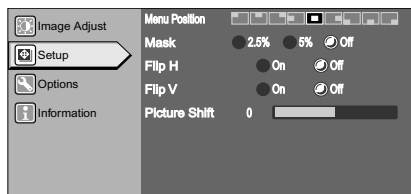
E.g.: Gamma setting menu



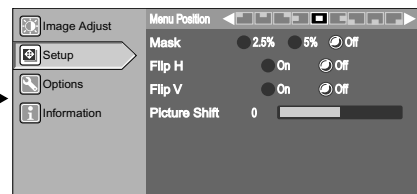
E.g.: Test Pattern setting menu



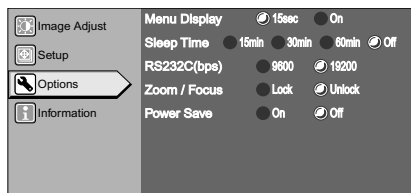
E.g.: Pixel Adjust setting menu



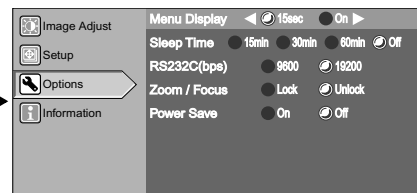
2 Setup Menu



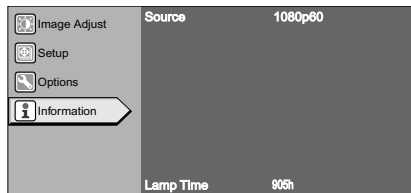
E.g.: Menu Position setting menu



3 Options Menu



E.g.: Menu Display setting menu

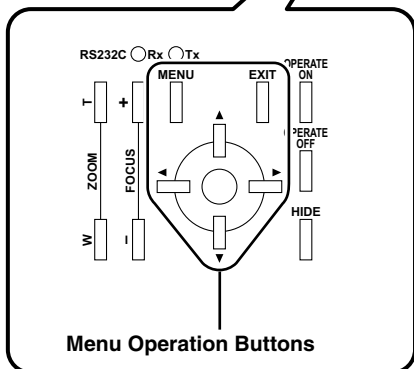
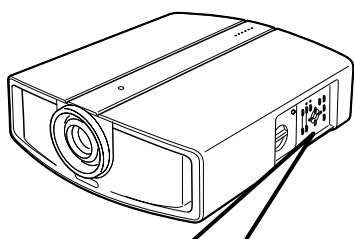
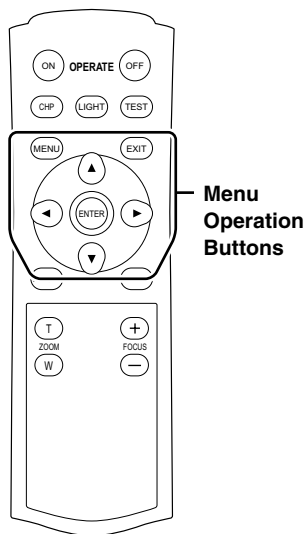


4 Information Menu

*1 Press the [ENTER] button to switch to the test pattern image. There are 10 types of test patterns. Press the [ENTER] or [TEST] button to alter the test pattern to be projected. Press the [EXIT] button to clear the menu screen. Press the [EXIT] button again to clear the test pattern.

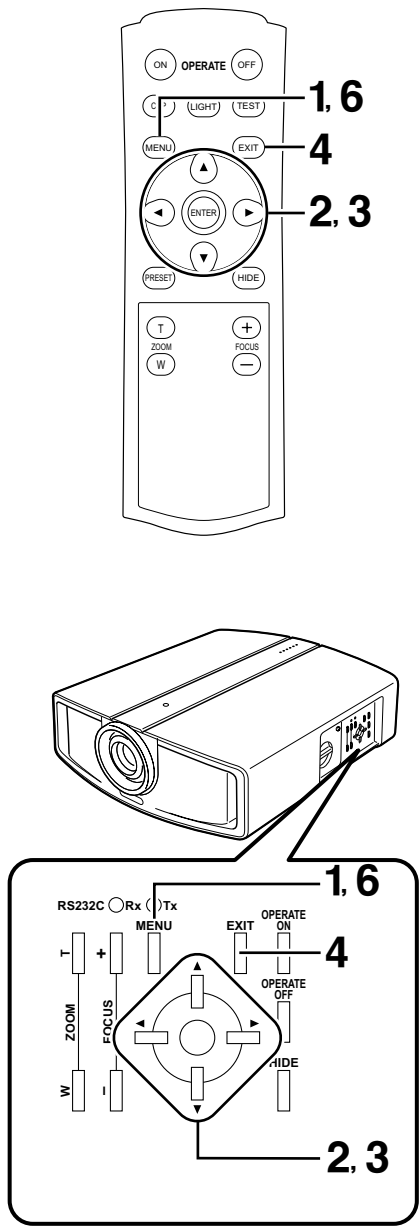
Menu Operation Buttons

The menus are operated using buttons on this unit or remote control unit.



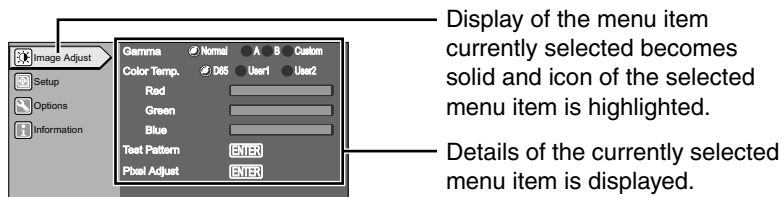
Button		Function
Remote Control Unit	This Unit	
		<p>Displays the main menu.</p> <ul style="list-style-type: none"> ● Press to clear the menu screen when the menu is displayed.
		<p>Confirms the selected item on the main menu.</p> <ul style="list-style-type: none"> ● Press the [ENTER] button when the "Test Pattern" item is selected to project the test pattern on the screen. After it is projected, test pattern changes each time the [ENTER] button is pressed. ● Press the [ENTER] button when the "Pixel Adjust" item is selected to shift to the "H Pixel Adjust" and "V Pixel Adjust" setting screen.
		<p>Press to return to the previous menu.</p> <ul style="list-style-type: none"> ● Press to clear the menu screen when the main menu screen is displayed. ● Press to clear the displayed signal when a test pattern or green cross hatch signal is displayed.
<p>Remote Control Unit</p> <p>This Unit</p>		<p>▲/▼ : Select menu items and adjustment items.</p> <p>◀▶ : Change setting of the selected adjustment item (setting is not possible for some items).</p> <p>The adjusted value will be reflected on the image immediately.</p>

Procedures for Menu Operation



1 Press the [MENU] button

- The main menu is displayed on the screen.



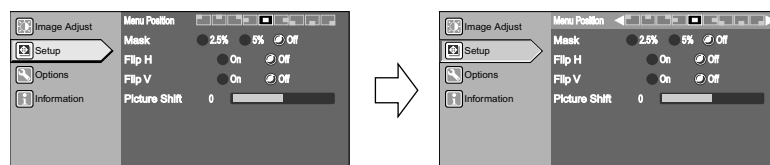
Display of the menu item currently selected becomes solid and icon of the selected menu item is highlighted.

Details of the currently selected menu item is displayed.

E.g.: Image Adjust menu

2 Press the [▲/▼] buttons to select a main menu item and press the [ENTER] button to confirm

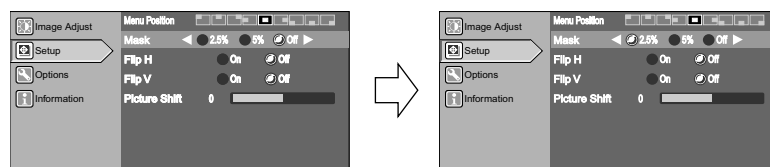
- The “Information” menu does not have a setting menu (submenu).



E.g.: Setup menu

E.g.: Menu Position setting menu

3 Press the [▲/▼] buttons to select an adjustment item and press the [◀▶] buttons to change the setting value



E.g.: When “Mask” value is changed from “Off” to “2.5%”

NOTES:

- Press [ENTER] after selecting “Test Pattern” on the “Image Adjust” menu. This will project the test pattern. Press the [EXIT] button to clear the menu screen. Press the [EXIT] button again to clear the test pattern.
- Press [ENTER] after selecting “Pixel Adjust” on the “Image Adjust” menu. Upon doing so, the “Pixel Adjust” submenu screen will appear.

4 After setting is completed, press the [EXIT] button

- Each time you press the button, the menu returns to the previous one.

5 Repeat procedures 2 to 4 to set other items

6 After setting is fully completed, press the [MENU] button

- The menu will disappear from the screen.

Menu Configuration

1 Image Adjust Menu

To adjust images.

Gamma

Switches the gradation characteristics of the image. Select your preference setting values according to the image to be viewed.

Setting Values: "Normal", "A", "B", "Custom"
Default Value: "Normal"

NOTE:

Setting to "Custom" enables you to set (adjust) to a gamma value of your preference via the computer that is connected to the projector by using a Gamma adjustment software. (Default picture quality is equivalent to "Normal")

You can download the Gamma adjustment software from the following website.

<http://www.jvc-victor.co.jp/>

Color Temp.

Adjusts the color temperature of the projected image.

Setting Values: "D65", "User1", "User2"
Default Value: "D65"

Red,Green,Blue

Setting Values: -255 to 0
Default Value: "0"

- When you set the "Color Temp." setting to "User1" or "User2", adjustment of "Red,Green,Blue" can be done.

Test Pattern

Use this to adjust focus, screen size or picture quality. There are 10 types of test patterns. Press the [ENTER] or [TEST] button to alter the test pattern to be projected. Press the [EXIT] button twice to clear the test pattern.

Pixel Adjust

Fine-tunes the image position in the horizontal/vertical directions.

- This is not required under normal circumstances.

H Pixel Adjust

"Red", "Green", "Blue"

Setting Values: 1 to 7
Default Value: "4"

V Pixel Adjust

"Red", "Green", "Blue"

Setting Values: 1 to 7
Default Value: "4"

NOTE:

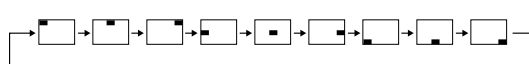
"H/V Pixel Adjust" allows fine-tuning of images in the horizontal/vertical directions up to ± 3 pixels at intervals of 1 pixel for each of Red, Green and Blue. Make use of a still image with a clear outline during adjustment. This feature is intended for fine-tuning of images and therefore the effect upon adjustment may not be visible to the eye.

2 Setup Menu

Menu Position

Adjusts the display position of the menu screen.

Setting Values:



Default Value:

Mask

Masks (Hides) the outer area of the projected image.

Setting Values: "2.5%", "5%", "Off"
Default Value: "Off"

Flip H

Reverses image to the left or right.

Setting Values: "On", "Off"
Default Value: "Off"

Flip V

Inverts image upside down.

Setting Values: "On", "Off"
Default Value: "Off"

Picture Shift

When projecting images with black bands at the top and bottom (cinema image), use this to move the image up or down while retaining one of the black bands at the upper or lower end.

Setting Values: -30 to 30
Default Value: "0"

Adjustments and Settings Using Menus (continued)

3 Options Menu

Menu Display

Adjusts the display duration of the menu screen.

[Setting Values: "15sec", "On"
Default Value: "15sec"]

- The menu screen display will not disappear automatically when this is set to "On". Press the [EXIT] button to clear the menu screen.

Sleep Time

Sets the lapse time before automatically switching the unit to the standby mode when there is no signal input.

[Setting Values: "15min", "30min", "60min", "Off"
Default Value: "Off"]

RC232C (bps)

Sets the communication speed (signal transmission speed) when communicating with a computer using the RS-232C terminal. Ensure that this is same as the rate set at the computer.

[Setting Values: "9600", "19200"
Default Value: "19200"]

Zoom/Focus

Locks/Unlocks the power zoom/power focus functions of the projection lens.

[Setting Values: "Lock", "Unlock"
Default Value: "Unlock"]

Power Save

Switches the power (brightness) of the light-source lamp.

[Setting Values: "On", "Off"
Default Value: "Off"]

- It is possible to lower the power (brightness) of the light-source lamp when this is set to "On", but the display will appear darker than when this is set to "Off".
- Adjustment of settings will be disabled for about 1 minute after the setting is changed. In this case, adjust settings after a lapse of at least 1 minute.
- Altering the "On", "Off" setting does not affect the lamp usage time (lamp life) of the light-source lamp.

4 Information Menu

Lamp Time

Displays the accumulated hours of usage of the light-source lamp.

Source

Automatically identifies the input video signal at the [DVI] terminal of this unit and displays the signal name ("1080p50" or "1080p60").

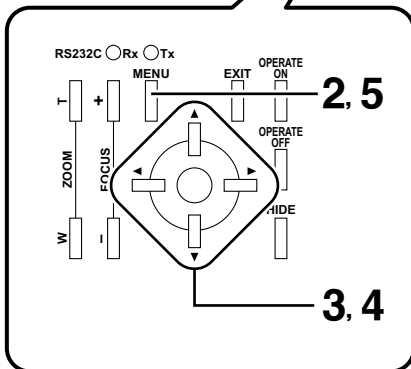
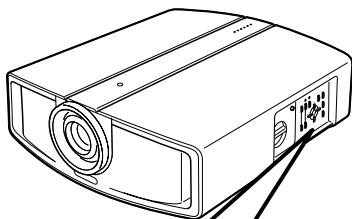
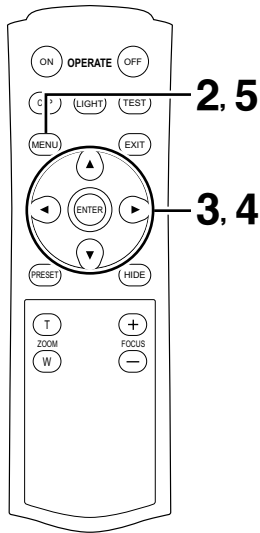
- When there is no video signal input to the [DVI] terminal, or when there is input of a video signal that cannot be used with this unit, no signal name will be displayed.

NOTES:

- When the input video signal is switched, a blue back image will appear for about 2 seconds.
- When nothing is connected to the [DVI] terminal, or if there is no video signal, a "No Signal DVI-D" message will be projected.
- For a video signal that cannot be used with this unit, a "Out of Range" message will be projected.
- Video input signals that can be used with this unit are 1080/50p and 1080/60p signals by DVI-D.

Screen Masking

Image for which quality at the outer area has deteriorated can be projected by masking (hiding) the outer area of the projected image.



1 Project image onto the screen

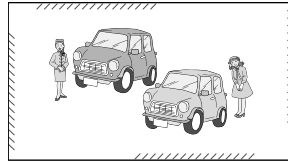
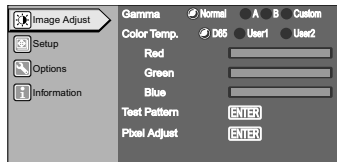


Image for which the outer area has deteriorated

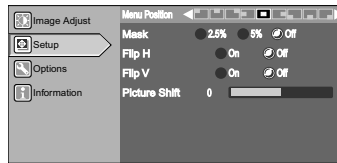
2 Press the [MENU] button

- The main menu is displayed on the screen.



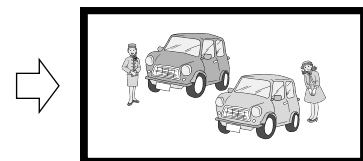
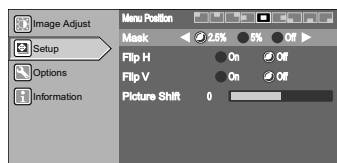
3 Press the [▲/▼] buttons to select “Setup”, followed by pressing the [ENTER] button

- The “Setup” menu appears on the right side of the screen.



4 Press the [▲/▼] buttons to select “Mask”, followed by pressing the [◀▶] buttons to select the setting value

- Masks (Hides) the outer area of the projected image.



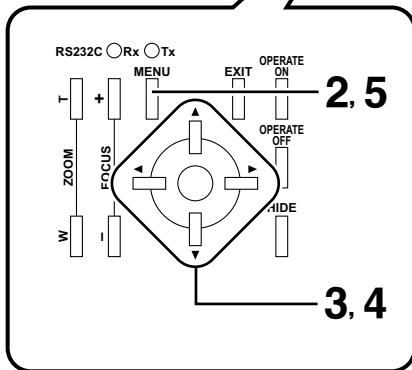
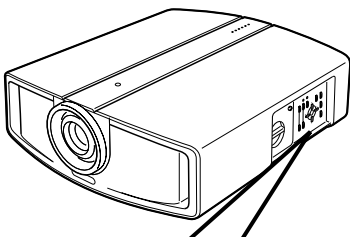
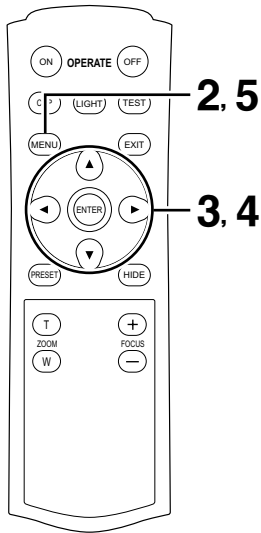
E.g.: When “Mask” value is changed from “Off” to “2.5%”

5 Press the [MENU] button to end

- The menu will disappear from the screen.

Picture Shift Setting

When projecting images with black bands at the top and bottom (cinema image), use this to move the image up or down while retaining one of the black bands at the upper or lower end.



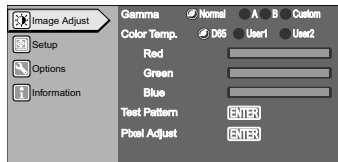
1 Project the image on the screen



← 2.35:1 Cinema Image

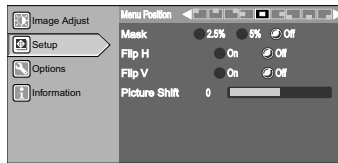
2 Press the [MENU] button

- The main menu is displayed on the screen.



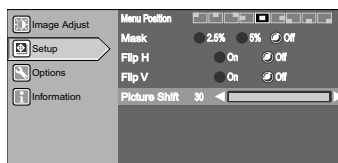
3 Press the [▲/▼] buttons to select “Setup”, followed by pressing the [ENTER] button

- The “Setup” menu appears on the right side of the screen.



4 Press the [▲/▼] buttons to select “Picture Shift”, followed by pressing the [◀▶] buttons to move the image upwards or downwards

- Set value in the positive (+) direction to move the image upwards and negative (-) direction to move downwards.



E.g.: When “Picture Shift” value is changed from “0” to “30”

5 Press the [MENU] button to end

- The menu will disappear from the screen.

Light-source Lamp and Lamp Usage Time

The life of light-source lamps used for this unit is about 2000 hours.

- The lamp life of 2000 hours is merely the average life span of light-source lamps and we do not provide any guarantee for this figure.
The lamp life may not reach 2000 hours depending on the operating conditions. Deterioration progresses rapidly when the remaining lamp usage time is short. Get ready or replace with a new lamp (lamp unit) when the accumulated usage time exceeds 1900 hours. Depending on the operating conditions, the lamp may have to be exchanged earlier. If the image is dark or color tone abnormal, replace the lamp as soon as possible.
- You can also check the accumulated hours of usage. Please refer to “Lamp Time” of the “Information” menu.
(☞ Pages 28, 32)
- Setting “Power Save” of the “Options” menu to “On” does not affect the usage time of the light-source lamp.
(☞ Pages 28, 32)

Please consult your authorized dealer when purchasing a new lamp unit.

■ Replacement Lamp (Lamp Unit) Part No.: BHL5008-S

■ When the lamp usage time exceeds 1900 hours (but less than 2000 hours)

The [LAMP] indicator lights up and the [TEMP] indicator starts blinking upon turning on the power (standby mode).

The “Lamp replacement” message will be displayed on the screen when projection starts.

- The message can be cleared by pressing any button on the remote control or this unit.

■ When the lamp usage time exceeds 2000 hours (but less than 2010 hours)

The [LAMP] indicator lights up and the [FAN] indicator starts blinking upon turning on the power (standby mode).

When the lamp usage time exceeds 2000 hours during projection, the “Lamp replacement” message will be displayed on the screen when projection starts and the “Warning” mark will appear blinking.

- Press the [EXIT] button to clear the display. However, the same “Warning” and “Lamp replacement” messages will be displayed after 1 hour.
- When the unit is switched to the standby mode or turned off after the lamp usage time exceeds 2000 hours, it cannot be switched back to the projection mode again. In this case, replace with a new lamp (lamp unit) and reset the lamp time (☞ Page 38).

■ When the lamp usage time reaches 2010 hours

The unit quits the projection mode (operating mode) and switches into the cool down mode.

- The [LAMP] indicator will light up and the [TEMP] and [FAN] indicators will appear blinking.
- The projection mode (operating mode) cannot be restored until a new lamp (lamp unit) is replaced and the lamp time reset.

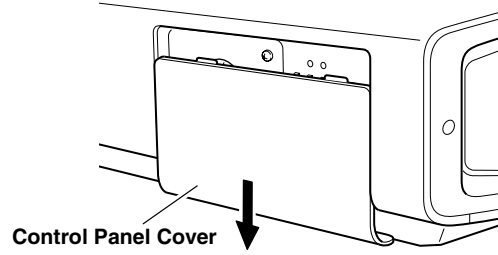
About Lamp Replacement

- If this unit is installed in a constricted place, attempting to replace the lamp in that place may cause injury. Move this unit to a place large enough to perform work.
- Use only genuine replacement parts for the lamp unit. Otherwise, malfunction may occur. Also, never attempt to re-use an old lamp unit. This may cause marked performance deterioration or lamp blowout, thus leading to unit malfunction. Broken pieces of the lamp outside this unit may also cause injuries during lamp unit exchange.
- Do not replace the lamp immediately after this unit has been used. The temperature of the lamp is still high and this may cause a burn. Allow a cooling period of 1 hour or more before replacement.
- Before replacing the lamp unit, pull out the power plug from the outlet while the [STAND BY] indicator is still on. Replacing a lamp with the plug connected to the outlet may cause injuries or electric shocks.

Procedure for Lamp Replacement

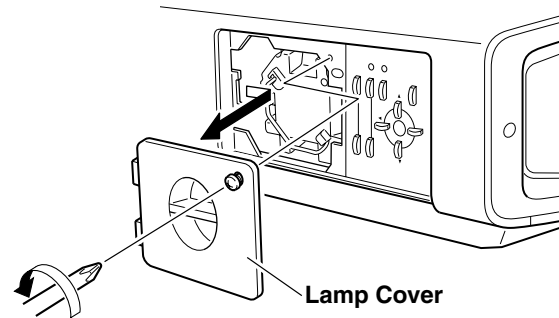
1 Remove the control panel cover

- Please refer to page 12 for details on removing the control panel cover.



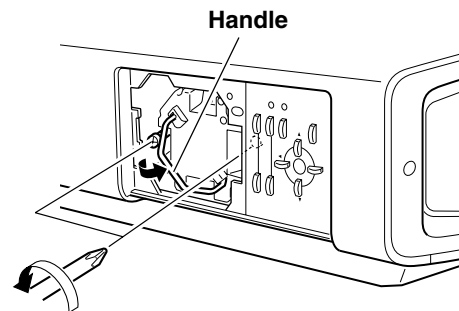
2 Loosen the screws and remove the lamp cover

- Loosen the 1 screws with a ⊕ screwdriver.

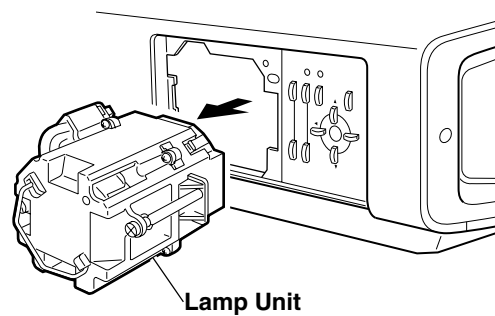


3 Loosen the screws on the lamp unit and lift up the handle

- Loosen the 2 screws with a ⊕ screwdriver.



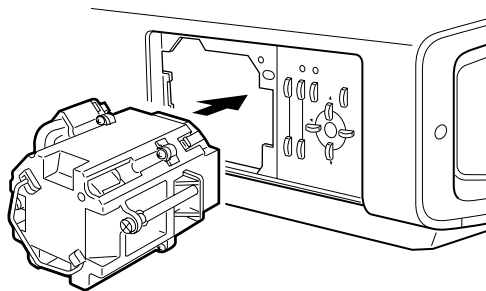
4 Pull out the lamp unit



5 Insert the lamp unit until it is fully in

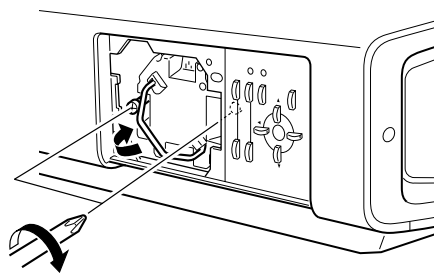
Handling the Lamp Unit

Do not touch the glass surface of the lamp directly with your hand or stain it. Touching it with a bare hand may dirty the surface, hence shortening the lamp life, causing marked performance deterioration such as darkened screens, lamp blowout as well as malfunction.



6 Tighten the screws of the lamp unit and close the handle

- Fasten the 2 screws with a ⊕ screwdriver.

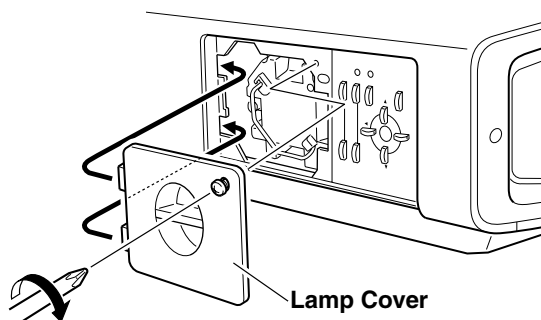


7 Attach the lamp cover and fasten the screw

- Fasten the 1 screw with a ⊕ screwdriver.

NOTE:

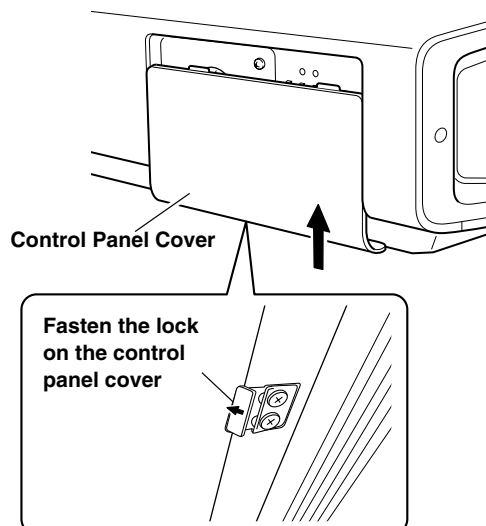
When fitting the lamp cover, insert the left end (with 2 claws) of the lamp cover into the unit, followed by ensuring that the protruding part on the reverse side of the lamp cover fits snugly into the hole of the unit. As this protrusion acts as a switch, misfitting may lead to failure in turning on the power.



8 Attach the control panel cover

Handling the Control Panel Cover

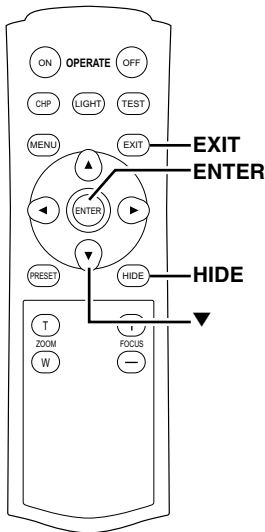
- The gap between this unit and the control panel cover is narrow. Be careful not to stick your finger into the gap between this unit and the control panel cover.
- Be careful of the protrusions and corners of components to avoid injury.
- After attaching the control panel cover, check that the lock is fastened. The control panel cover may drop and cause injury.



Resetting Lamp Time

After installing a new lamp (lamp unit), reset the lamp time. The lamp time counter will be reset and a new count will start.

- If the accumulated lamp time has reached 2000 hours, this unit will not work (lamp does not light up) unless the lamp time is reset.

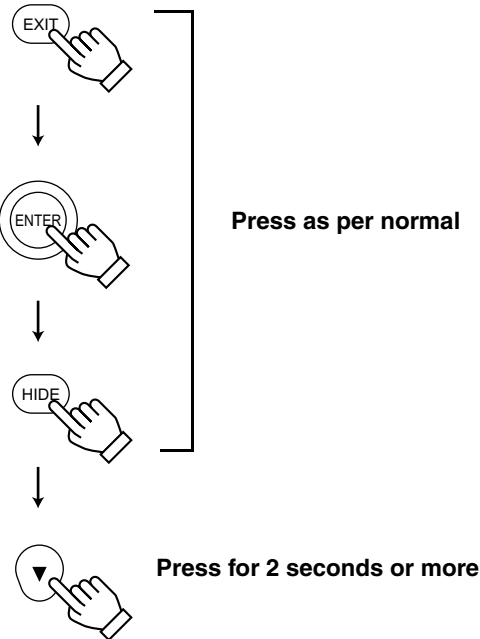


1 Insert plug into the power outlet

- The main power turns on and the [STAND BY] indicator on the unit lights up.

2 Press the [EXIT], [ENTER] and [HIDE] buttons sequentially, then press the [▼] button for 2 seconds or more

- The [STAND BY] and [OPERATE] indicators will alternately blink for a duration of about 3 seconds each. After blinking stops, lamp time resets and the unit returns to the standby mode ([STAND BY] indicator lights up).



To ensure the lamp time has been reset

The lamp time can be checked via the "Lamp Time" item of the "Information" menu. (☞ Pages 28, 32)

Caution During Reset Work

Reset the lamp time only when you have replaced the lamp. Never reset it when the lamp is still in use. Otherwise, the approximate standard for gauging replacement time may be inaccurate, lamp performance may deteriorate and lamp blowout may occur.

Cleaning and Replacing the Filter

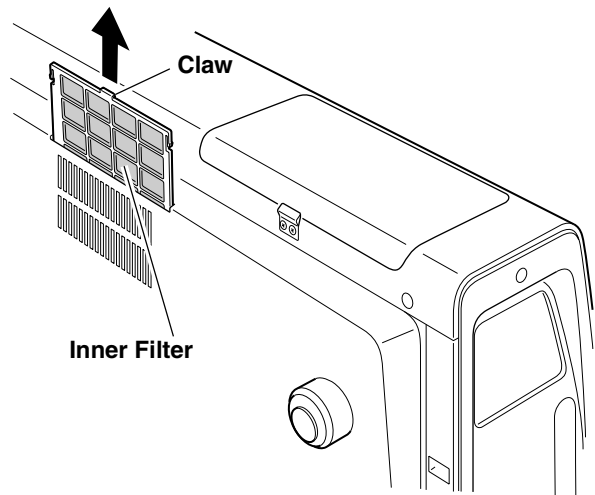
Clean the filter regularly. Otherwise, air intake efficiency may deteriorate and malfunction may occur. If the filter is extremely dirty and cannot be cleaned, or if it is damaged, replace the filter with a new one (inner filter: LC32058-002A). Otherwise, dirt may enter the unit and appear on the screen, preventing you from enjoying the video fully. If dirt has entered the unit or if you need information about the filter, please consult your authorized dealer.

1 Pull out the plug from the power outlet

- Pull out the power plug from the outlet while the [STAND BY] indicator is still on.

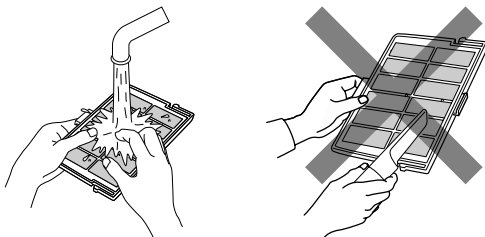
2 Remove the inner filter

- Push up and lift the claw at the base of the inner filter, followed by drawing out the filter.



3 Clean the filter

- Clean the filter with water and dry it, avoiding direct sunlight. In extremely soiled cases, use of a neutral detergent is recommended.

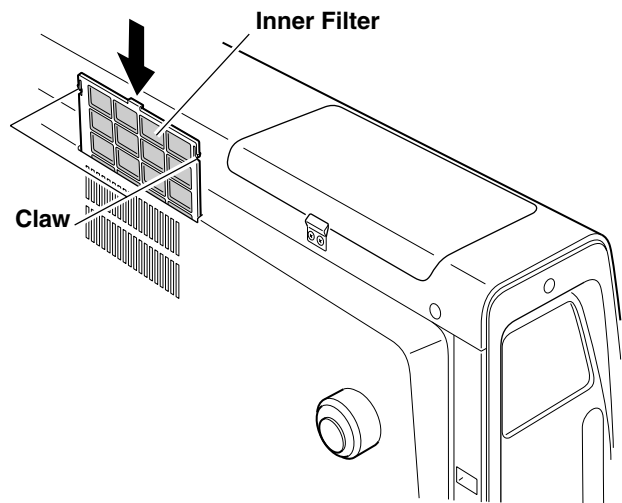


CAUTIONS:

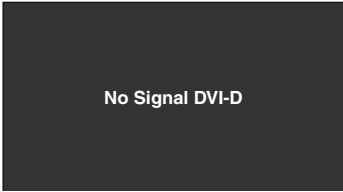

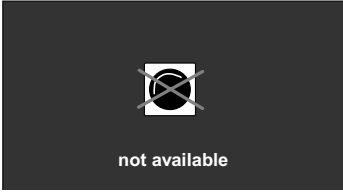
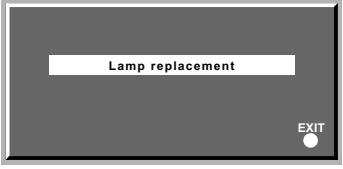
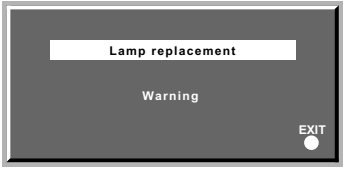
- Put on rubber gloves when using a neutral detergent.
- After washing a filter with water, make sure that the filter is completely dry before reinstalling. Otherwise, electric shocks or malfunctions may occur.
- Do not clean inner filters with a vacuum cleaner. Since these filters are soft, they may be damaged if they are sucked into the vacuum cleaner.

4 Reinstall the inner filter

- Check that the 2 claws at the left and right of the inner filter are locked to this unit.



What to do when these messages are displayed

Message	Cause (Details)
	<p>No device is connected to the [DVI] terminal. The DVI-D cable is connected to the [DVI] terminal but there is no signal input.</p> <p>→Input the video signals.</p>
	<p>A video signal that cannot be used with this unit has been input.</p> <p>→Input 1080/50p or 1080/60p video signals.</p>
	<p>Upon pressing the [ZOOM T/W] or [FOCUS +/-] button when “Zoom/Focus” of the “Options” menu is set to “Lock”.</p> <p>→Set “Zoom/Focus” of the “Options” menu to “Unlock”.</p>
	<p>At the moment when the accumulated lamp time reaches 1900 hours, a “Lamp replacement” message will be displayed. In addition, when the accumulated lamp time reaches between 1900 hours to 2000 hours, the (Lamp replacement) message will be displayed each time the projector is turned on.</p> <ul style="list-style-type: none"> • The message can be cleared by pressing any button on the remote control or this unit. <p>→Get ready a new lamp (lamp unit) in advance or replace as soon as possible.</p>
	<p>The “Lamp replacement” message will be displayed and the “Warning” word appears blinking when the accumulated lamp time exceeds 2000 hours. The message can be cleared by pressing the [EXIT] button. However, the same message will reappear every hour.</p> <p>When the accumulated lamp time exceeds 2000 hours, the unit cannot be turned on again once it is switched to the standby mode or turned off. If continuous projection is performed after 2000 hours, the unit will shut down upon exceeding 2010 hours and projection will be disabled.</p> <p>→Install a new lamp (lamp unit) and reset the lamp time. (☞ Pages 35 - 38)</p>

Warning Indication

About warning indicators

If abnormality occurs in this unit during projection, the warning mode will be triggered and the type of abnormality will be indicated by a combination of indicators displayed on the top surface of this unit.

- This unit will then automatically stop projection and run the cooling fan for about 60 seconds.

No.	Indicator						Warning
	STAND BY	OPERATE	LAMP	TEMP	FAN	HIDE	
1	—	—	Light On	Blinking	—	Blinking	Lamp does not light up and unit is unable to project
2	—	—	Light On	—	Blinking	Blinking	Lamp turned off during projection
3	—	—	—	—	Blinking	Blinking	Circuits are not functioning properly (Microcomputer Circuit Operation Error)
4	—	—	—	Blinking	—	Blinking	Circuits are not functioning properly (Drive Circuit Operation Error)
5	—	—	Light On	—	—	Blinking	Lamp cover is not installed
6	—	—	—	Light On	—	Blinking	Internal temperature is abnormally high (Internal Temperature Error)
7	—	—	—	Light On	Blinking	Blinking	Temperature at air inlets are high (External Temperature Error)
8	—	—	—	—	Light On	Blinking	Inner fan has stopped (Fan Locked)

Actions to be taken upon warning indications

Please follow the procedures below.

- For Nos. 1 - 4
 - No. 1 : Perform procedures to turn off/on the power again.
 - No. 2 : After checking if an impact shock has not occurred during operation, perform procedures to turn off/on the power again.
 - Nos. 3, 4: Perform procedures to turn off/on the power again.
- For Nos. 5 - 8
 - Pull out the power plug from the outlet while the [STAND BY] indicator is still on. After that, check No. 5 - No. 8.
 - No. 5 : Ensure that the lamp unit is correctly mounted onto this unit. Next, ensure that the lamp cover is correctly mounted. After that, restart according to the basic operation procedures.
 - No. 6 : Check that nothing is blocking the air inlets, and wait until the inside cools down. After that, restart according to the basic operation procedures.
 - No. 7 : Check the ambient temperature. If it is normal, leave the unit until it cools down. After that, restart according to the basic operation procedures.
 - No. 8 : Leave the unit until it cools down. After that, restart according to the basic operation procedures.

If the warning indication is displayed again, wait for the cooling fan to stop. Check that the [STAND BY] indicator is on, followed by removing the plug from the power outlet. Call your authorized dealer for repair.

Troubleshooting

Before sending the unit for repair, check the following points.

Symptom	Probable Cause	Corrective Action	Reference Page
Power is not supplied	Is the power cord disconnected?	Insert the power cord (plug) properly.	Page 25
	Is the lamp cover properly shut?	Remove the plug when the [STAND BY] indicator is on. Close the lamp cover properly and insert the plug again.	Pages 27, 37
	Has the lamp life expired (has the lamp usage time reached 2000 hours)?	Remove the plug when the [STAND BY] indicator is on. Install a new lamp (lamp unit). Upon doing so, insert the plug. Reset the lamp time after installing a new lamp (lamp unit).	Pages 15, 35 - 38
Projected image is dark	Is the lamp near exhaustion?	Check the lamp usage time on the menu. Prepare a new lamp (lamp unit) or replace as soon as possible when the lamp is near exhaustion.	Pages 15, 35 - 38
	Is "Power Save" on the setting menu set to "On"?	Set the "Power Save" setting to "Off".	Page 32
Unit works when the power is turned on but stops abruptly after a few minutes	Are the air suction openings (air inlets) and exhaust vents blocked?	Remove the plug when the [STAND BY] indicator is on. Remove any blocking object. Upon doing so, insert the plug.	Pages 11, 12, 18
	Are the filters dirty?	Clean the filters.	Page 39
Video image does not appear	Are devices properly connected?	Connect devices correctly.	Page 24
	Is the lens cap removed?	Remove the lens cap.	Page 26
	Are correct signals (1080/50p or 1080/60p) being output from the connected devices?	Set connected devices correctly.	Page 24
	Is the video image temporarily turned off when the [HIDE] button is being pressed?	Press the [HIDE] button to display the video image again.	Page 27
Video image is fuzzy	Is the focus correctly adjusted?	Adjust accordingly using the focus button.	Page 27
	Is the unit placed too near or too far away from the screen?	Set the unit at a correct distance from the screen.	Page 21
Video images are missing	Has setting been performed for screen mask?	Set the "Mask" setting of the (Setup) menu to "Off".	Page 33
	Has setting been performed for picture shift?	Alter the "Picture Shift" value in the "Setup" menu to ensure that images are not missing.	Page 34

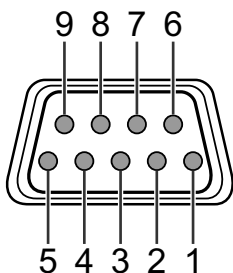
Symptom	Probable Cause	Corrective Action	Reference Page
Remote control unit does not work	Are batteries installed correctly?	Match the polarities (⊕ or ⊖) correctly when inserting the batteries.	Page 17
	Are batteries exhausted?	Replace with new batteries.	Page 17
	Is there an obstructive object between the remote control unit and remote sensor?	Remove any obstructive objects.	Page 23
	Is the remote control held too far away from the sensor?	Hold the remote control closer to the sensor when using.	Page 23

- This unit uses a microcomputer. External noise may cause it to malfunction. If this happens, turn off the power and remove the plug from the power outlet. Insert plug again into the outlet and check operation of the unit (see pages 26, 27 on how to turn on/off the power of the unit).

Terminal Description

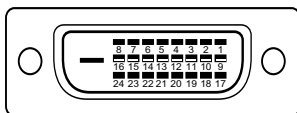
Pin Arrangement

[RS-232C] Terminal



Pin No.	Signal Name	Pin No.	Signal Name
1	N/C	6	N/C
2	RD	7	N/C
3	TD	8	N/C
4	N/C	9	N/C
5	GND		

[DVI-D] Terminal



Pin No.	Signal Name	Pin No.	Signal Name
1	TMDS data 2-	13	N/C
2	TMDS data 2+	14	TMDS +5 V power supply
3	TMDS data 2/4 shield	15	Earth (+5 V)
4	N/C	16	Hot plug detection
5	N/C	17	TMDS data 0-
6	DDC clock	18	TMDS data 0+
7	DDC data	19	TMDS data 0/5 shield
8	N/C	20	N/C
9	TMDS data 1-	21	N/C
10	TMDS data 1+	22	TMDS clock shield
11	TMDS data 1/3 shield	23	TMDS clock +
12	N/C	24	TMDS clock-

TMDS = Transition Minimized Differential Signaling

DDC = Display Data Channel

RS-232C External Control

Control of this unit is possible via a computer by connecting the computer to this unit with a RS-232C cross cable (D-sub 9 pins). The commands to control this unit and the response data format against the received commands are explained here.

For details, please consult your authorized dealer.

1 Communication Specifications

Communication specifications for this unit are as follows:

Baud Rate	9600/19200 bps
Data Length	8 bit
Parity	None
Stop Bit	1 bit
Flow Control	None

2 Command Format

1 Command data format

When sending a control command to this unit, use the following data format:

Header **ID** **SP** **Command** [**SP** **Parameter**] **CR**

Header :Designates the head of data and the data type.

! (21h): Assigns command to the projector (Command)

? (3Fh): Query to the projector (Asking command)

ID : 1: Identification number of the projector (Factory setting is 1)

SP : Designates the delimiter for ID, Command and Parameter. (20h)

CR : Designates the terminal of the data. (0Dh)

*[] is not necessary for Asking command

2 Response data format

Upon executing a control command it has received, this unit sends back the following response data to the computer:

Header **ID** **SP** **Normal Termination Status** **SP** **Parameter** **CR**

Header : Designates the head of the data.

@ (40h): Fetches data from the projector

ID : 1: Identification number of the projector (Factory setting is 1)

SP : Designates the delimiter for ID, Command and Parameter. (20h)

Normal Termination Status : 0 (30h)

CR : Designates the terminal of the data. (0Dh)

Terminal Description (continued)

3 Parameters used for the data format

The following 3 types of parameters are used for command and response data:

- (1) Numeric value (2) ON/OFF (3) Special parameters

Each parameter is as follows:

(1) Numeric value

A 2-byte hexadecimal value (sign included) is represented by a set of 4-digit (4-byte) characters.
The range that can be specified is from "8000H" to "7FFFH"

(2) ON/OFF

Shows the status (ON or OFF) of the unit, such as POWER and HIDE.

Character	Hex	Meaning
0	30	OFF
1	31	ON

(3) Special parameters

Operation mode parameters

Character	Hex	Meaning
0000	30h 30h 30h 30h	Standby mode
0001	30h 30h 30h 31h	Operate mode
0002	30h 30h 30h 32h	Cool down mode
0004	30h 30h 30h 34h	Emergency mode

3 External control command table

Function	Command	Asking		Data Type		
		Operate mode	ELSE	Numeric Value	ON/OFF	Special Data
Operate	U0F	×	×	×	○	×
HIDE	U00	○	×	×	○	×
Left/Right Reversal	U17	○	×	×	○	×
Top/Bottom Inversion	U18	○	×	×	○	×
Operation Mode	Z03	○	○	×	×	○

Operation mode: Only Asking command is possible

Specifications

Model Name/Article Name	DLA-HD10KU/E/DLA-HD10KSU/E D-ILA Home Theater Projector
Emission Method	D-ILA ^{*1} (Reflective Active Matrix Principle)
Display Panel/Size	D-ILA Device ^{*2} / 0.82" (1920 pixels × 1080 pixels) × 3 (Total no. of pixels: Approx. 6,220,000)
Projection Lens	
DLA-HD10KU/E	1.9x power zoom lens (2.0:1 to 3.8:1) (Power zoom/focus adjustment)
DLA-HD10KSU/E	1.4x power zoom lens (1.5:1 to 2.1:1) (Power zoom/focus adjustment)
Light-source Lamp	200 W Ultra-high pressure mercury lamp [Part No.: BHL5008-S]
Screen Size	Approx. 60" to 200" (Aspect ratio: 16:9)
Projection Distance	
DLA-HD10KU/E	Approx. 2.5 m to 15 m
DLA-HD10KSU/E	Approx. 2 m to 10 m
Input Signal	1080/60p signal, 1080/50p signal
Resolution	1920 dots × 1080 dots
Input Sync Frequency	Horizontal : 56.25 kHz, 67.43 kHz, 67.5 kHz Vertical : 50 Hz, 59.94 Hz, 60 Hz
Input Terminals	
VIDEO IN	DVI 1-line, DVI-D (Single-24pin) terminal, HDCP-compatible ^{*3}
CONTROL	RS-232C 1-line, D-sub 9 pin × 1 (External control) SERVICE 1-line, 3.5 mm diameter, stereo mini-jack × 1 (For Service)
Output Terminal	
CONTROL	SCREEN TRIGGER 1-line, 3.5 mm diameter, monaural mini-jack × 1
Power Requirements	AC 100 V - 240 V AC, 50 Hz/60 Hz
Rated Power	3.5 A (100 V AC) - 1.4 A (240 V AC)
Operation Environment	Temperature : 41 °F to 95 °F (+5 °C to +35 °C) Humidity : 20 % to 80 % (No condensation) Storage Temperature : 14 °F to 140 °F (-10 °C to +60 °C)
Dimensions (Width x Height x Depth)	Approx. 20 1/5" × approx. 7 3/5" × approx. 22" (Approx. 513 mm × approx. 193.7 mm × approx. 558.5 mm) (Excluding lens and protrusion portion)
Mass	Approx. 37.5 lbs (Approx. 17.0 Kg)
Accessories	(Refer to Page 10.)

^{*1} D-ILA is the abbreviation for Direct drive Image Light Amplifier.

^{*2} D-ILA devices are manufactured using extremely high-precision technology. Pixel effectiveness is 99.99 %. Only 0.01 % or less of the pixels would either not lit up or remain permanently lit up.

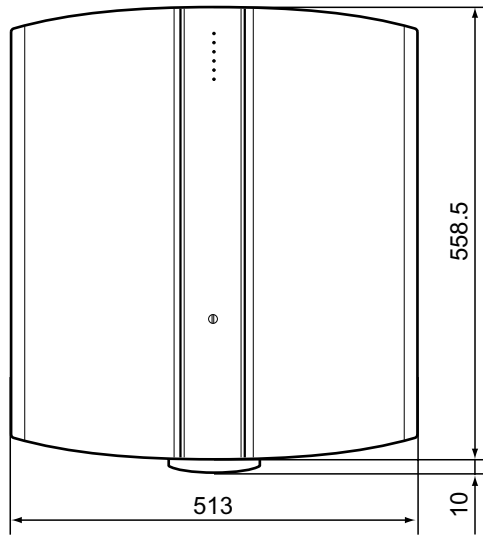
^{*3} The image of DVI input terminal may not be displayed due to HDCP specification change.

- Design and specifications are subject to change without prior notice.
- Please note that some of the pictures and illustrations may have been abridged, enlarged or contextualized in order to aid comprehension. Images may differ from the actual product.

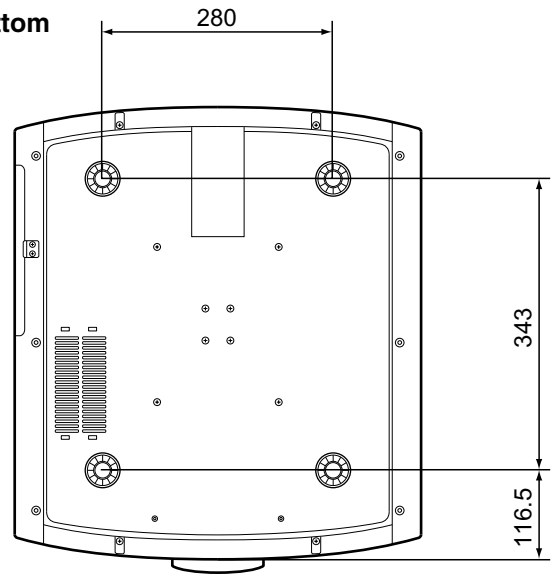
Specifications (continued)

Dimensions (Unit: mm)

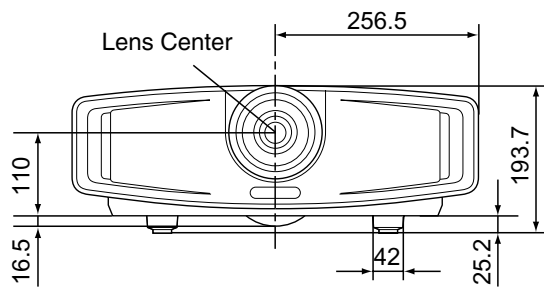
Top



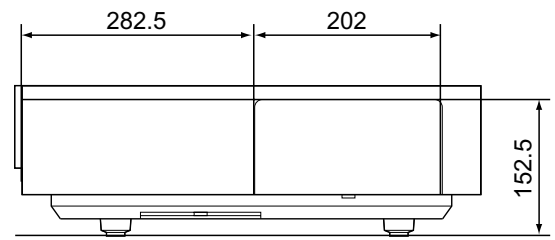
Bottom



Front



Side



DLA-HD10KU/E/DLA-HD10KSU/E
D-LILA® HOME THEATER PROJECTOR

