

Streamcorder Application Note 1

Subject: Installing the KA-DV300/350 Network Pack and accessory cards



Objective

Before you can stream video or record to a CompactFlash (CF) memory card, you must attach the KA-DV300 or KA-DV350 Network Pack to the GY-DV300 camcorder. Once installed, accessory cards, such as a LAN or CF memory card must be installed.

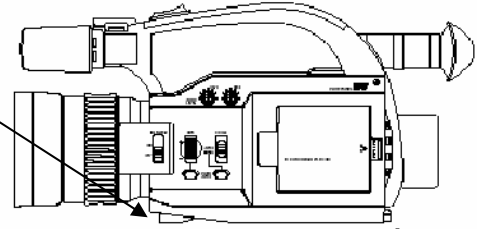
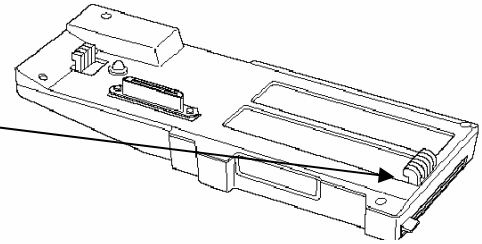
What you need

- GY-DV300 camcorder
- KA-DV300 network pack or KA-DV350 Cisco Aironet 350 enabled network pack
- One of the following accessory cards, depending on application:
 - Wired LAN:** Socket Communications (www.socketcom.com) EA2900-117. A CF to PCMCIA (PC Card) adapter is required.
 - Wireless LAN:** Linksys (www.linksys.com) WCF11. A type II CF to PCMCIA (PC Card) adapter is required.
 - Socket Communications (www.socketcom.com) WL6000-320. A CF to PCMCIA adapter is required (can only be used with KA-DV300 firmware revision 2.0 or later).
 - Symbol Technologies (www.symbol.com) Wireless Networker CompactFlash Card. A CF to PCMCIA (PC Card) adapter is required (can only be used with KA-DV300 firmware revision 2.0 or later).
 - Cisco (www.cisco.com) Aironet 350 model AIR-PCM35x (can only be used with a KA-V350 network pack).
 - CF Memory:** SanDisk (www.sandisk.com) SDCFB-16 ~ SDCFB-256. A CF to PCMCIA adapter is required.

Attaching the Network Pack to the Camera

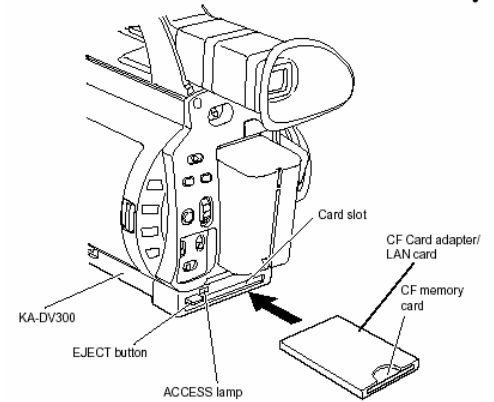
1. Insure that the GY-DV300 power is off.
2. Slide the connector cover located on the bottom of the GY-DV300 in the direction as shown by the arrow located next to the connector cover.

3. Align the hook on the network pack with the cutout on the rear of the GY-DV300 below the battery compartment.
4. Rotate the network pack upward toward the GY-DV300 until a positive 'click' is heard and felt.
5. To remove the KA-DV300 Network Pack, press the release button on the front of the pack and pull away from the camera.



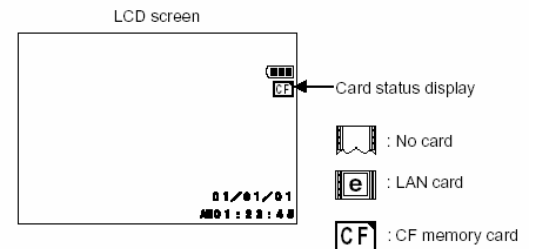
Inserting Accessory Card

1. Insure that the GY-DV300 power is OFF.
2. Insert the accessory card into the network pack. Please note that some accessory cards will require an adapter.
3. The card can only be inserted in one direction. Do not force the card into the slot.
4. Turn on the power to the GY-DV300.
5. The status of the inserted card is displayed on the LCD and/or viewfinder screen.



NOTES:

- When turning the power on, the card status display will flash during initialization.
- Inserting a card with the power ON may result in damage to the card.



JVC wants you to get the most from your Streamcorder. If you have any comments, concerns, or questions, please feel free to contact us at netinfo@jvc.com.