



8-NDI and 4-SDI Input Studio Switcher *Powered By vMix*



KM-IP8S4



Inputs:
3G-SDI x 4



NDI®



Gigabit LAN

USB 3.2 x 6

USB 2.0 x 2

Monitors:

DP x 4

Outputs:

3G-SDI

HDMI

KM-IP8S4

KM-IP8S4 - NDI/SRT + SDI

KM-IP8 - NDI/SRT (no SDI card)

vMix Control Surface **RM-LP350G**



USB



vMix GUI



USB 2.0	2	Type-A
USB 3.2 Gen 1	4	Type-A
USB 3.2 Gen 2	1	Type-A
USB 3.2 Gen 2x2	1	Type-C
Gigabit Ethernet	1	RJ45
Audio in/out	3	3.5 mm

Mini DP x 4

Mini 3G-SDI x 4
Inputs/Outputs

3G-SDI / HDMI
output

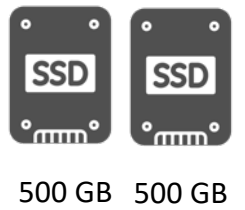
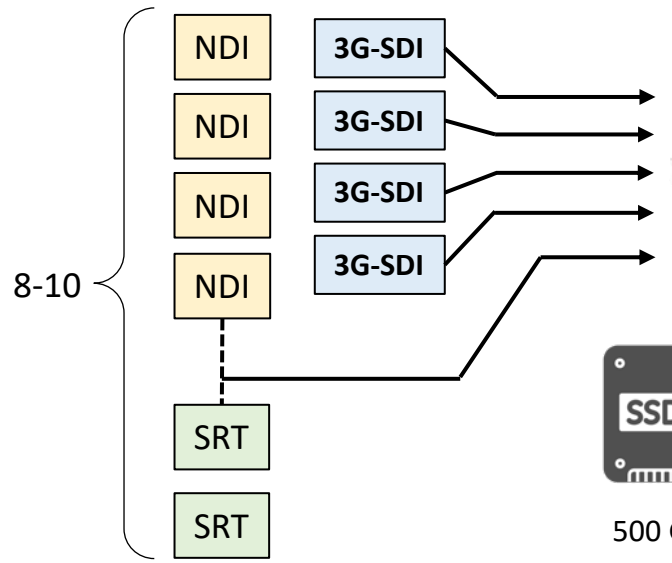
Included adapters
Mini SDI → SDI-F (4)
Mini DP → DP (4)

Multi-view

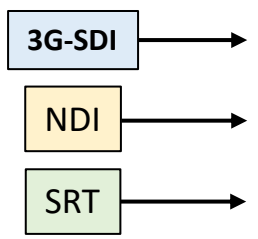
Preview

GUI

Program



- Video/Audio clips
- Titles
- Animated graphics
- Virtual sets
- Replay



RM-LP350



RM-LP350 Control Surface



Inputs **1 - 12**

Shift **13 - 24**

T-Bar



KM-IP8S4

Camera Inputs



3G-SDI
3G-SDI
3G-SDI
3G-SDI

DP 1
DP 2
DP 3
DP 4



PREVIEW / PROGRAM



MULTIVIEW



- 4 x DisplayPort Outputs:
- GUI
 - Preview
 - Program
 - Multiview
 - Aux



SRT

8

LAN

3G-SDI
HDMI

PGM

PGM



Control Surface
RM-LP350G

- Titles
- Graphics
- Videos
- Audio
- Animations
- Virtual Sets

NDI

NDI HX3

NDI HX

24+

SSD x 2



USB
USB 3.0




Audio





vMix 4K *lifetime* license is included

Free Updates	First 12 months
Total Inputs *	1000 (50)
Camera / NDI Inputs *	1000 (12)
Resolution	1920 x 1080
Overlay Channels	4
 Recording	✓ 2 Recorders
Streaming <i>Including 3 simultaneous live streams</i>	✓
Fullscreen Output	✓
External Output	✓
GT Designer Standard 100+ Built-In Animated Titles, ScoreBoards, Tickers	✓
GT Designer Advanced Custom Animated Titles and Import PSD's	✓

Playlist	✓
Professional Colour Correction	✓
Video List	✓
vMix Call	✓ 4 Callers
MultiCorder	✓
Instant Replay	✓ 1 Camera
Two External Outputs Two Fullscreen Outputs Four Virtual Outputs	✓
Scripting	✓
PTZ Control	✓
SRT Outputs	✓ 4
Vertical HD (1920p)	✓

vMix Pro
4 Cameras

* This system is built according to vMix "Ruby" reference configuration.

- 3G-SDI inputs 4
- NDI inputs (HD) 8-10
- Total inputs 50