

For using HZ-AS1G.

Before operating your HZ-AS1G, please read this manual thoroughly and keep it for future reference.

NIPPON VIDEO SYSTEM accepts no liability whatever for incidental damages arising out of the use or inability to use the product, including, but not limited to, damage to the camera, etc., corruption or loss of data, lost business revenue or suspension of business operations.
 NIPPON VIDEO SYSTEM accepts no liability whatever for damages arising from improper use not conforming to the instructions in the instruction manuals.

■ Features

- Supports the ENG video camera for the professional use.
- Supports the FUJINON Lens and CANON Lens with the 8P control interface for a ENG video camera for the professional use.

■ Parts Names and Functions

ASSIGN REC/RET Switch :
 Assigns the REC or RET functions to the ASSIGN 1 and 2 buttons.

F/C//PA/LA Select Switches :
 Set the F/C and PA/LA switches to the appropriate position according to the camera and lens connected as follows.

- F : FUJINON LENS
- C : CANON LENS
- PA : Not available
- LA : LANC camera

HDS Connector(12P) :

LENS Connector(8P) :
 Used to connect to the zoom lens.

ZOOM TW/WT Select Switch :
 Selects the direction of the zooming, WIDE to TELE or TELE to WIDE with the zoom lever rotating direction.
 TW : To TELE rotating to left / WT : To TELE rotating to right

SPEED S/F Select Switch :
 Selects the zooming speed, S(slow) or F(fast).

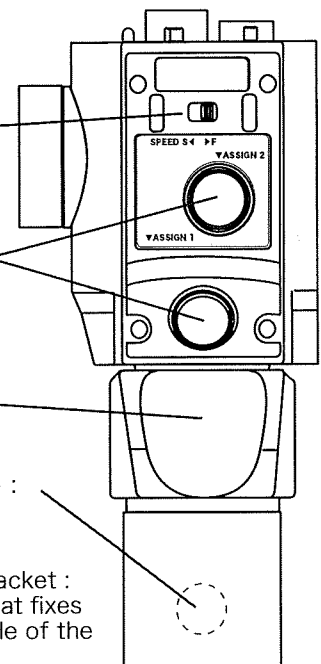
ASSIGN 1/2 button :
 Used to RETURN or REC functions assigned by ASSIGN switch.

ZOOM Lever :
 Used for zooming.

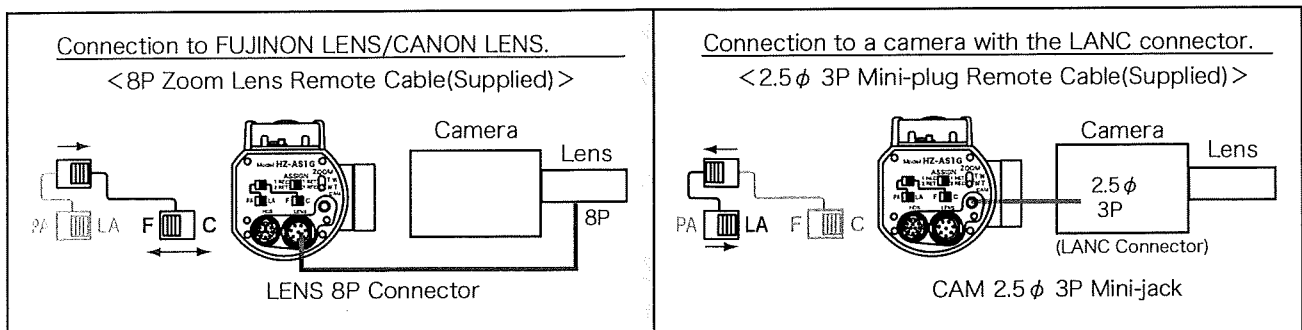
RET Button(on the grip) :
 Used to RETURN.

Fixture to attach the clamp bracket :
 Attaches the clamp bracket that fixes the HZ-AS1G on the pan handle of the tripod.

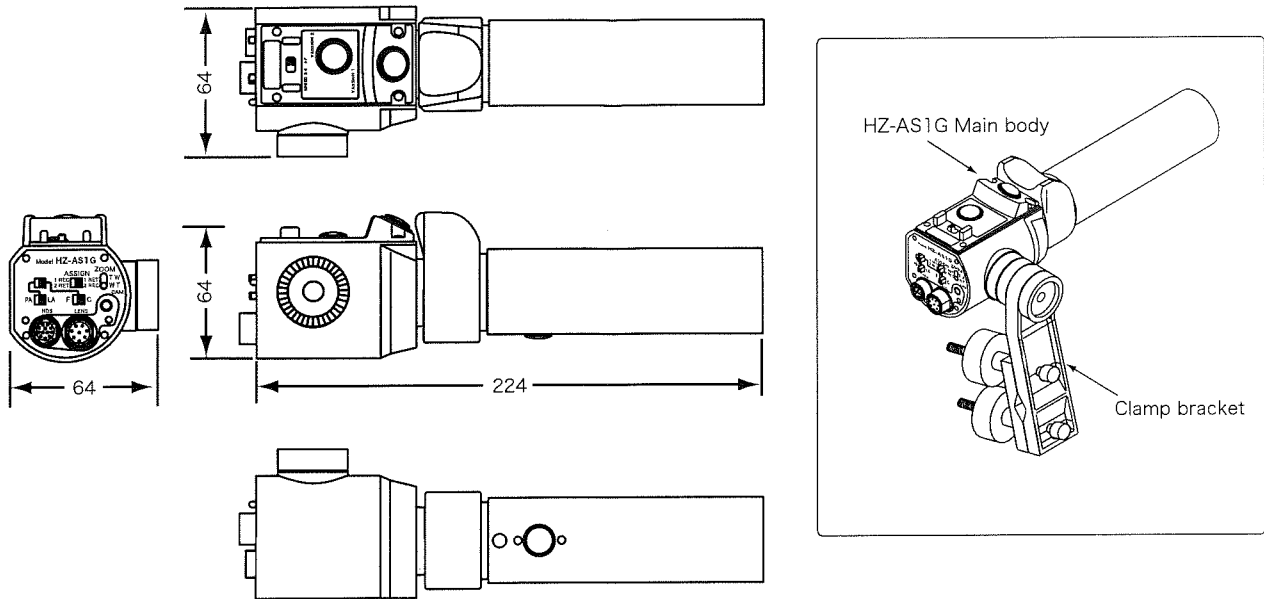
CAM connector (2.5φ 3P mini jack) :
 Used to connect to the LANC connector of the camera.



■ Connection/Use



■ Outsideview and Dimensions



■ Specifications

Input/Output	
LENS connector	8P : connection for zoom lens
CAM connector	2.5 φ 3P mini jack : connection for LANC camera
ZOOM TW/WT switch	Zooming Direction Selection TW : TELE to WIDE / WT : WIDE to TELE
SLOW/FAST switch	Zooming Speed Selection SLOW/FAST
RET switch	RETURN
VTR switch	REC START/STOP
ASSIGN switch	RET switch/ VTR switch selection (RET switch on the grip is always RETURN.)
F/C//PA/LA switch	FUJINON LENS/CANON LENS//LANC camera selection
General	
Clamp bracket	For fixing HZ-AS1G on the pan handle of the tripod (Fixing angle is adjustable.)
Dimensions (WxHxD)	approx. 64 x 64 x 224 mm (main body)
Weight	approx. 0.45 kg (main body), approx. 0.45 kg (clamp bracket)
Operating Temperature	0°C to +40°C
Storage Temperature	-20°C to +60°C
Accessories	
Clamp bracket / 8P Remote Cable / 2.5 φ 3P Mini-plug Remote Cable / Operating Instructions	

NOTE Features, design and specifications are subject to change without notice.