

JVC[®]

PROFESSIONAL

1/3" CCD COLOR VIDEO CAMERA

TK-C1480U

(24V AC/12V DC)

High-sensitivity Super LoLux™ Color Surveillance Camera with Extended Dynamic Range

0.4 Super LoLux™
lux



Shown with optional lens

- High resolution to 480 TV scan lines
- Super LoLux™ 0.4 lux
- Minimum illumination of 0.025 Lux (Slow shutter)
- Extended dynamic range
- Automatic motion detection with alarm
- RS-422A/485 control signal
- ATW/AWC white balance
- Automatic image correction with backlight compensation

Highly Sensitive Super LoLux™ Color Surveillance Camera for Excellent Performance Under Bright and Dark Conditions



JVC's TK-C1480U color CCTV camera performs excellently even in near-dark or bright ambient light conditions, both indoors and outdoors. Unlike other CCTV cameras, the TK-C1480U features a new high-sensitivity CCD, digital signal processor with extended dynamic range, motion detector, and Super LoLux™ to ensure quality image capture even under the most demanding conditions and in the most difficult locations.

■ Totally New 1/3-Inch Interline Transfer (IT) CCD

JVC's TK-C1480U camera comes loaded with a totally new 1/3-inch IT CCD, which delivers clear pictures without image lag or geometric distortion. And, with a signal-to-noise ratio of more than 50dB, the TK-C1480U produces crisp images with a low level of smear and accurate color reproduction. High-sensitivity is also excellent so that no detail is missed even under low light conditions (0.4 lux at F1.2.)

■ New Digital Signal Processor (DSP)

A powerful Digital Signal Processor (DSP) with Extended Dynamic Range (X170 Max. at Auto, X330 Max. at Manual) lets users shoot in dark and bright locations.

■ Super LoLux™

JVC's exclusive Super LoLux™ enables the

camera to shoot high-quality images in light as low as 0.4 lux with minimal noise. This is the lowest level ever of darkness where the TK-C1480U can see far better than the naked eye. At X32 slow shutter minimum illumination is even as low as 0.0125 lux.

■ Compatible with the Wide Dynamic Range

A bright portion in the shooting area is shot with the high-speed shutter exposure, while a dark portion shot with the normal exposure. Both of the images read in then synthesized to output a single image that includes distinguishable bright and dark portions. Therefore, the camera is compatible with a wide range of scenes such as the entrance of a building where a difference in illumination tends to be encountered due to the varying effects of the external light on the entrance, and a place where a subject can be backlit due to the direction of lighting, etc. (See the example on the next page.)

These images are sample images output in an extended dynamic range. So, actual images may vary according to various shooting conditions.



At high speed shutter



At normal speed shutter



--- MENU ---

- > SYNC ADJUST..
- ALC SETTINGS..
- VIDEO ADJUST..
- MODE SELECT..
- MOTION DETECT..
- COMMUNICATION..
- FACTORY SETTINGS..

--- VIDEO ADJUST ---

> WHITE BALANCE	ATW	NORMAL
COLOR LEVEL		NORMAL
ENHANCE LEVEL		NORMAL
PEDESTAL LEVEL		NORMAL
AUTO BLACK CTL		OFF

--- MOTION DETECT ---

> MODE	OFF
LEVEL	NORMAL
AREA EDIT..	
ALARM TIME	10s
DEMONSTRATION..	

---WHITE BALANCE CONTROL---

> AWC SET..

R : : B

MR : : G

--- ALC SETTINGS ---

> IRIS LEVEL	NORMAL
AVERAGE : PEAK	8 : 2
SHUTTER (ExDR)	NORMAL
AGC MODE	20 dB
SENSE UP	OFF
PRIORITY	---
BLC	OFF

--- SHUTTER (ExDR) ---

> SHUTTER SPEED	1 / 100
FAST LIMIT	---
ExDR LEVEL	---
M. ExDR SPEED	---

■ **RS-422A/RS-485 Terminals**

RS-422A/RS-485 terminals offer multi-system remote control compatibility.

■ **Motion Detector Function**

A motion detector function detects the motion inside an image and emits alarm signals.

■ **Full Genlock**

INT/EXT (Full genlock)/LINE LOCK opens up a wide array of shooting options with connectors for BB or VBS (BNC) sync input.

■ **White Balance**

To ensure optimum white balance under a wide range of color temperatures, the TK-C1480U comes with four white balance modes — ATW (Auto Traced White Balance) and AWC (one push Automatic White Balance Control with Manual Paint Possible). So the operator can select the ideal white balance for the shooting conditions.

■ **Camera ID**

The TK-C1480U has a built-in camera ID system for configuring a multi-camera surveillance system.

■ **Wide-Range Automatic Electronic Shutter**

A wide-range Automatic Electronic Shutter (AES) continuously adjusts speed to ensure correct exposure under any lighting conditions (1/60 — 1/100,000 second).

■ **Y/C Output Connectors**

The TK-C1480U is equipped with connectors for BB or VBS (BNC) sync input and VBS (BNC), Y/C (S-terminal, 4-pin) output.

■ **Easy Menu-Driven Parameter Setting**

A simple menu-driven operation sets a range of parameters including IRIS, ENHANCE, PED, ATW/AWC, H. PHASE/SC. PHASE, AGC ON/OFF, AGC, COLOR and L.L. PHASE.

■ **Backlight Compensation**

With a bright light in the back, this function improves the image. 4 types of fixed and 2 types of editable, metered areas are available.

■ **C/CS Mount with DC/Video Iris Lens**

The TK-C1480U is C/CS-mount lens compatible, so the ideal lens for an application can be selected from the widest possible range.

■ **AC 24V/DC 12V Power Supply**

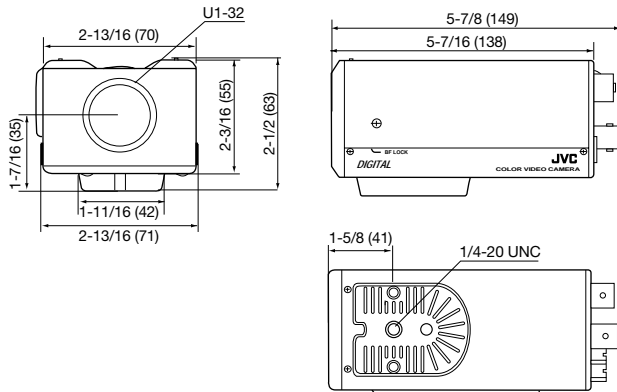
The TK-C1480U may be powered by AC 24V/DC 12V sources.

Specifications

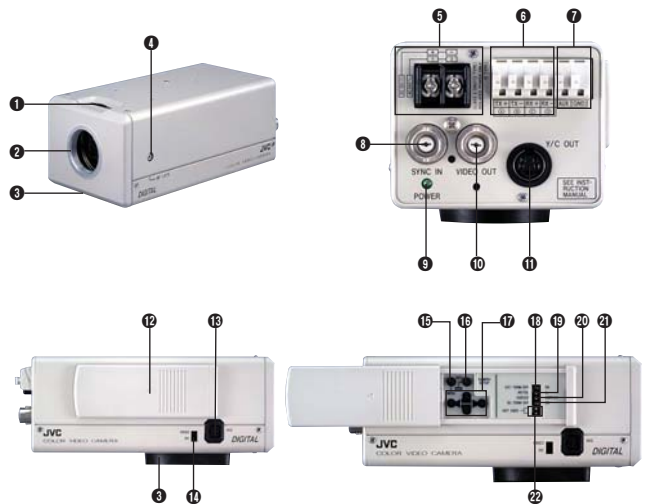
Image device	1/3" IT CCD, 768 (H) x 494 (V)
Sync system	Internal, Line Lock, Full Genlock
Scanning frequency	15.734 kHz (H), 59.94 Hz (V)
Horizontal resolution	480 TV lines
Video output	Composite video signal
Y/C output	Y/C video signal (4-pin)
Video S/N ratio	50 dB (AGC OFF)
Minimum required illumination	0.4 lux (F1.2, 25% AGC 20dB) 0.25 lux (F1.2, 25%, Super AGC) 0.0125 lux (F1.2, 25%, AGC 20dB, X32 Slow Shutter)
Communication	RS-422A or RS-485 (switchable) 9600 bit/s
Lens mount	C/CS mount
Power requirement	AC 24 V (60 Hz), DC 12 V
Power consumption	5.2 W
Operating temperature range	14°F to 122°F (-10°C to 50°C) 32°F to 104°F (0°C to 40°C) (recommended)
Weight	1.4 lbs. (600g)
Accessories	4P plug x1 Ferrite core x1 Instructions x1

Dimensions

Unit: inches (mm)



Controls, Connectors and Indicators



- 1 BACK FOCUS adjustment
- 2 Lens mount (C or CS)
- 3 Camera mounting bracket
- 4 BACK FOCUS locking screw
- 5 [DC 12V, AC 24V] Power input terminals
- 6 [TX+(A), TX-(B), RX+(C), RX-(D)] Control signal connection terminals
- 7 [AUX OUT] Auxiliary (Alarm) output
- 8 [SYNC IN] Sync signal input connector
- 9 [POWER] Power indicator lamp
- 10 [VIDEO OUT] Video signal output connector
- 11 [Y/C OUT] Y/C output connector
- 12 Cover
- 13 [IRIS] Iris terminal
- 14 [VIDEO/DC] Iris selector switch
- 15 [MENU] Menu button
- 16 [SET/AWC] Set. auto white control button
- 17 Up-and-down, left-and-right button
- 18 [EXT.TERM-ON/OFF] Terminal ON/OFF switch of external synchronization signal
- 19 [INT/GL, LL] Selector switch for synchronizing system
- 20 [DUPLEX, SIMPLEX] Selector switch for transmission system
- 21 [RX, TERM-ON/OFF] RX signal terminal ON/OFF switch
- 22 NOT USED

JVC®

DISTRIBUTED BY

JVC PROFESSIONAL PRODUCTS COMPANY
DIVISION OF JVC AMERICAS CORP.
1700 Valley Road, Wayne, N.J. 07470
TEL: (973) 315-5000, (800) 582-5825
FAX: (973) 315-5030
Internet Web Site <http://www.jvc.com/pro>
E-mail: proinfo@jvc.com

JVC CANADA INC.
21 Finchdene Square, Scarborough, Ontario M1X 1A7
TEL: (416) 293-1311 FAX: (416) 293-8208
Internet Web Site <http://www.jvcpro.com/>

Design and specifications subject to change without notice.



■ The Hachioji Plant of Victor Company of Japan, Ltd., has received ISO14001 and ISO9001 Certifications under the global standard for environmental management.

This catalog is printed on recycled paper.

Printed in Japan
KCN-1795
CETKC1480UKN0109