

JVC
PROFESSIONAL

1/2" C-MOUNT DIGITAL CAMERA

KY-F1030U

1360 x 1024 SXGA Digital Image Capture with
Dual Output: IEEE1394 and RGB Analogue

PRELIMINARY

1360 x 1024 SXGA Digital Imaging



Shown with optional lens

- 1.45 million Pixel 1/2" CCD with Progressive Scanning
- 1360 x 1024/1280 x 960 Switchable Resolution
- Dual Output: IEEE1394 and RGB Analogue
- C-mount
- Long Integration Shutter
- Dual Power Supply: IEEE1394 and AC Power
- IEC601-1 and UL-2601 Medical Approval
- JVC's Proprietary "KY-LINK" Image Acquisition Software Available
- Motorised Zoom Lens Control Capability

JVC's KY-F1030U: the Best Solution for a Wide Range of High-Resolution Imaging

FEATURES

Regardless of system configuration requirements, the KY-F1030U flexibly meets the demand of SXGA high-resolution images. Its dual output capability presents IEEE1394 one cable PC system, easy placement in video capture card solution, even no PC is necessary to project an image on screen with optional scan rate converter. Furthermore, JVC's proprietary image acquisition software "KY-LINK" provides easy installation on a PC for true one monitor solution through IEEE1394, which can provide a full SXGA preview and capturing, camera control, and motorised zoom lens control.

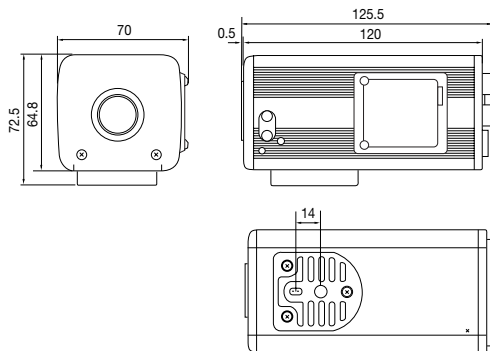


SPECIFICATIONS

Image device	1/2-inch Interline Transfer CCD
Scanning	Progressive
Total pixels	1.50 million pixels
Effective pixels on CCD	1.45 million pixels (H: 1,392 x V: 1,040)
Output pixels from CCD	1,360 x 1,024 pixels
Quantisation	10 bit in, 8 bit out
Lens mount	1/2-inch C mount
Analogue video output	
Resolution	1,360 x 1,024 lines (800 TVL)
Output signal	RGB 0.7V, 75 ohms
Frame rate	7.5 fps
Cable length max.	HV Separate Sync: 5 m Sync On Green: 30 m
Terminal	Mini D-sub 15 pins
Digital video output	
Resolution	1,280 x 960 lines (800 TVL) 1,360 x 1,024 lines (800 TVL)
Protocol	IIDC 1394 based Digital Camera Specification, Rev. 1.30
Frame rate	7.5 fps (max.)
Cable length max.	4.5 m
Terminal	IEEE1394 6 pins
Aspect ratio	4:3
Sync output	Hs/Vs 3.3 V(p-p) Sync On Green 0.3 V(p-p)
Sensitivity	F8 2000 lux (at 1/30 shutter)
Lens control	Iris/Focus/Zoom
White balance	Auto/manual
White paint	Manual Paint/Flare Compensation
Gain	0 dB to +12dB
Electronic shutter	
STEP	4 sec., 2, 1, 1/2, 1/4, 1/8, 1/15, 1/30, 1/60, 1/125, 1/250, 1/500, 1/1000, 1/2000
V.SCAN	4 sec. - 1/5906.8 sec.
EEL	1 - 1/2384.7 sec. 1/7.5 - 1/2384.7 sec.
RANDOM	1/7.5 - 1/5648.2 sec. Sync non reset made only
Regulatory	
	UL1419 UL2601-1 (with AA-P700MDU) IEC60950 IEC60601-1 (with AA-P700EG/EK) FCC Part15 Class B IEC60601-1-2/2001 (with AA-P700EG/EK) EN55103-1, -2/96
Dimensions (W x H x D)	70 x 64.8 x 125.5 mm
Weight	470 g
Power supply	through AC Adapter +12 V through 1394 cable +8 V - +40 V
Power consumption	through AC Adapter 8 W (with motorised lens) or less through 1394 cable 2.5 W
Operating temperature	0° - 40°C
Storage temperature	-20° - 60°C

DIMENSIONS

Unit: mm



OPTIONS



■ PFW-41
IEEE1394 High Performance
Serial Bus Interface Board



■ D16x7.3A-D29
16x Motorised
Zoom Lens

JVC

VICTOR COMPANY OF JAPAN, LIMITED

DISTRIBUTED BY

Design and specifications subject to change without notice.



■ The Hachioji Plant of Victor Company of Japan, Ltd., has received ISO14001 and ISO9001 Certifications under the global standard for environmental management.