

PRELIMINARY

JVC
PROFESSIONAL

KY-F75U

1/2" 3-CCD DIGITAL CAMERA

New Product News

1360 x 1024 SXGA Digital Imaging via IEEE 1394



iidc Instrumentation &
Industrial
Digital
Camera

Shown with optional lens

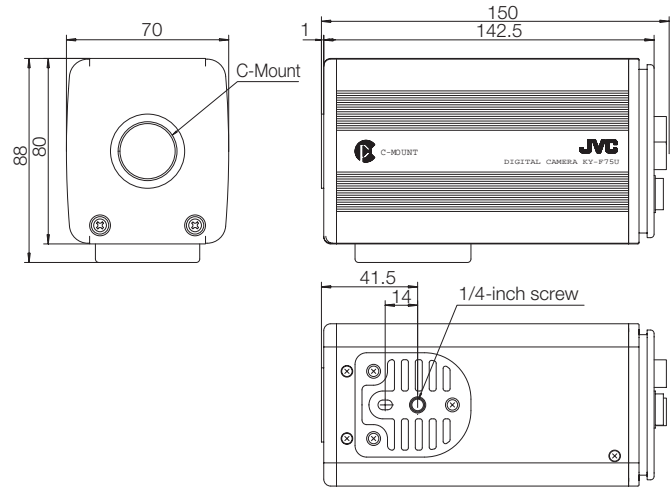
- 4.3 million effective square pixels
- Greater than SXGA resolution, having 1360 x 1024 pixels
- Progressive scan CCD output
- RGB prism separator and 3-CCD for total colour accuracy
- Direct digital interface to PC via IEEE 1394
- IIDC v1.3 subset of IEEE 1394 for uncompressed data transmission
- Live image preview on PC monitor and instantaneous capture
- Long duration image integration mode (slow shutter)
- Designed to accommodate applications using IR lighting
- Single cable 6pin IEEE 1394 connection, carrying DC power, image and control signals
- EN60601-1 medical approval when used with separate AA-P700 power adaptor
- Bundled with new JVC proprietary KY-LINK image acquisition and control software
- Turnkey solutions available, incorporating IEEE 1394 card & accessories

Specifications

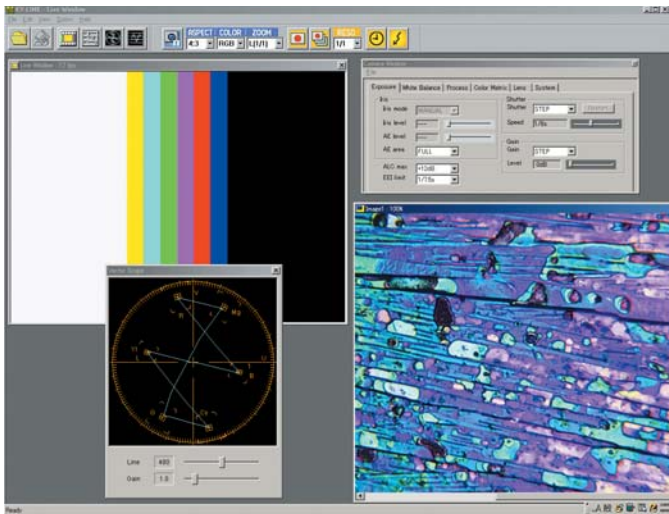
Imaging device	1/2 inch IT CCD x 3
Scanning type	Progressive
Total pixels	4.3 million (3 x 1.45 million) pixels
Effective pixels for CCD	1.45 million pixels (H:1,392 x V:1,040)
RGB output resolutions, switchable	1,280 x 960 pixels 1,360 x 1,024 pixels
Aspect ratio	Approx. 4:3
SHUTTER speed	4.010s to 1/5906.836s
Lens mount	C-mount
Digital data interface	IEEE1394 6 pins (IIDC ver. 1.3 standard), Uncompressed data (not for DV output)
Frame rate	7.5 frames/s
Detail compensation method	H/V simultaneous compensation
Output cable length	4.5 metres or less
Synchronisation method	Internal synchronisation
Operating temperature range	0°C to 40°C (with humidity of less than 80% RH)
Input voltage	DC 12V (when AA-P700 is used) DC 8V to 40V (IEEE1394 power supply)
Power consumption	12W (when AA-P700 is used, including lens) 7.2W (when IEEE1394 power supply +12V, without lens)
Weight	750g

Dimensions

Unit: mm



Software



Bundled with new JVC proprietary KY-LINK image acquisition and control software

Options



AA-P700
AC Power Adaptor
AA-P700EK (IEC601-1 Conformed)
AA-P700EG (IEC601-1 Conformed)
AA-P700MDU (UL-2601 Approved)
AA-P700U (General use)

*KY-F75U is currently applied in the Medical Standard configuration.

JVC
 VICTOR COMPANY OF JAPAN, LIMITED

DISTRIBUTED BY

Design and specifications subject to change without notice.



■ The Hachioji Plant of Victor Company of Japan, Ltd., has received ISO14001 and ISO9001 Certifications under the global standard for environmental management.