

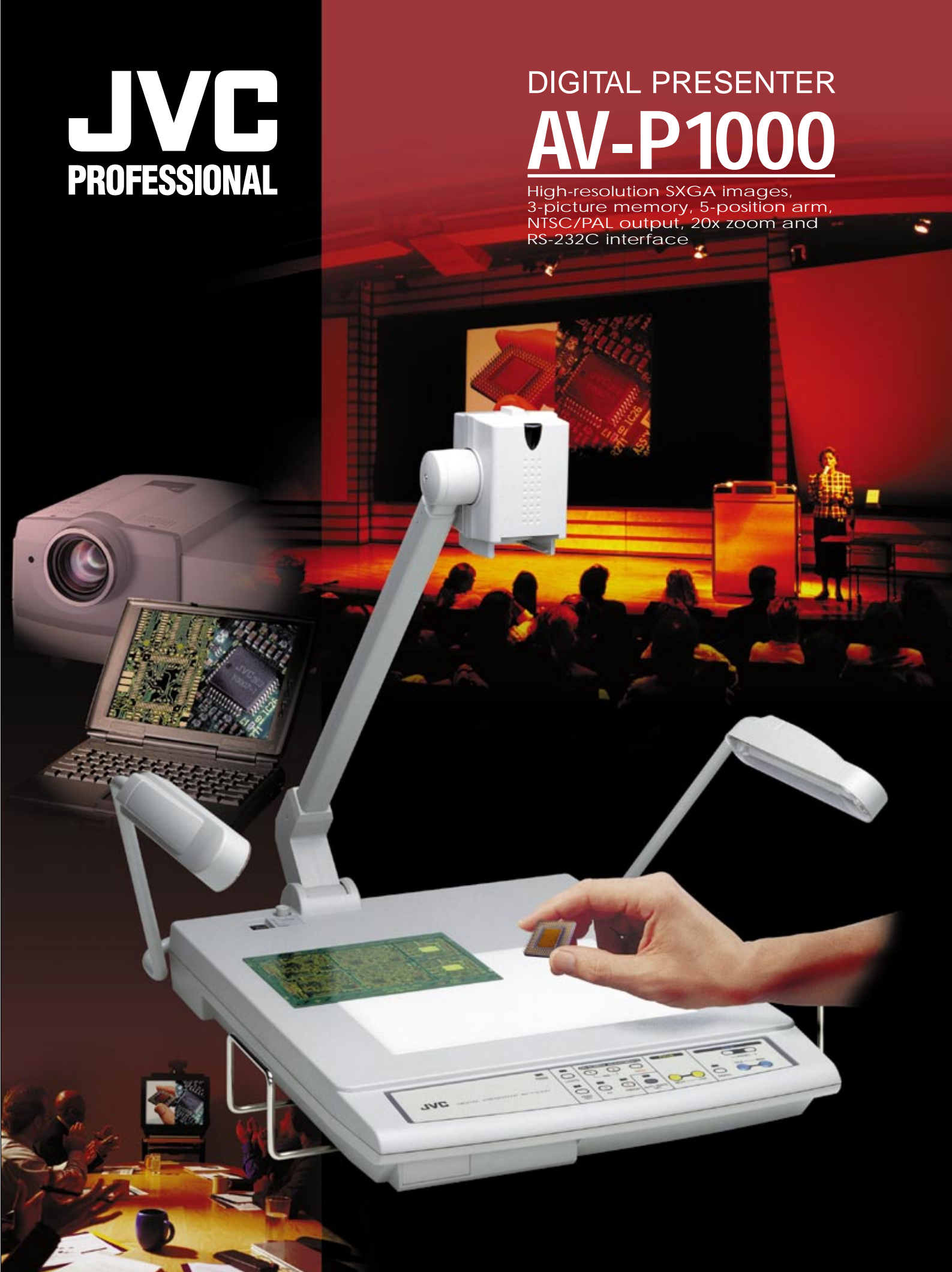
JVC

PROFESSIONAL

DIGITAL PRESENTER

AV-P1000

High-resolution SXGA images,
3-picture memory, 5-position arm,
NTSC/PAL output, 20x zoom and
RS-232C interface



The Power To Persuade — High-Resolution Shooting Functions, And Easy Operation

The ultimate multimedia presentation tool, this versatile digital presenter lets you mix and match computer data and real three-dimensional objects to produce a high-quality, entertaining presentation that's sure to impress even the most demanding audiences. Featuring high resolution SXGA images with clear characters (down to 8-point), simultaneous display with 3-picture memory and 4x electronic zoom, the AV-P1000 lets you switch easily from computer-generated images to the real thing. Other features include a remote control unit, 5-position arm, camera panning, flip-type close-up lens and book holder. Ideal for classrooms, lectures, scientific presentations, product demonstrations, and more, the AV-P1000's powerful performance and versatile features make it the essential realtime presentation device for the multimedia age.

High-Resolution 1280 x 960 pixels equivalent to SXGA images

To achieve the picture quality required for advanced PC environments, picture signals are upgraded from NTSC/PAL video signals to PC signals. High-resolution SXGA images equivalent to 1,280 x 960 pixels are produced without degradation or flicker.

RGB (SXGA to VGA) or NTSC/PAL output

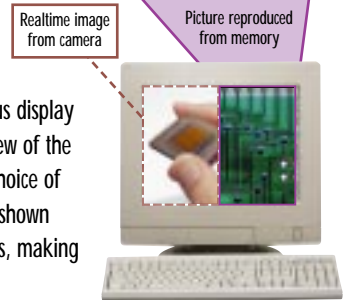
High-quality images can be output to a variety of computer displays and to NTSC or PAL video monitors, allowing easy integration into any system.



Simultaneous display with 3-picture memory



You can store up to 3 pictures in memory and compare them with the current image. The simultaneous display function gives you a side-by-side view of the real-time camera image and your choice of stored images. Moving pictures are shown clearly with picture output of 4.3 fps, making it easy to compare images.



Smooth transitions with Freeze function

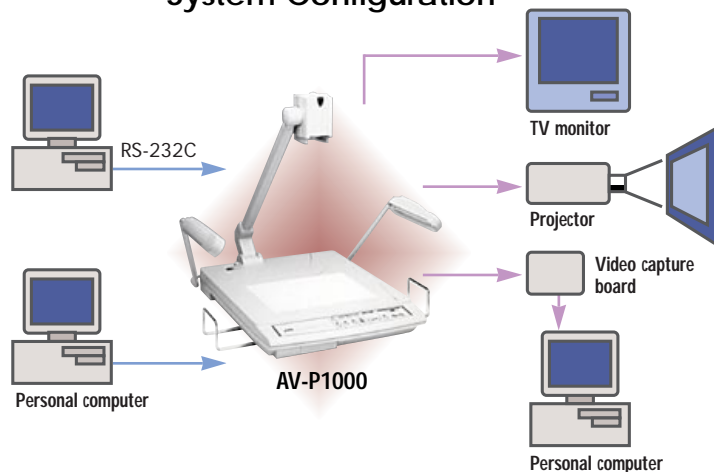
The Freeze function is a great way to keep your presentation running smoothly by eliminating awkward transitions. When you want to switch the object you're showing or change pages, just press the FREEZE button to freeze the current picture. While you're setting up the next display, your audience will continue to view the still image. As soon as you're ready, press the FREEZE button again to display the next image.



20x zooming

The 4x electronic zoom allows you to magnify images by up to 20x when it is combined with the 5x power zoom. For example, microscopic objects such as the veins of a leaf or the intricate detail in a woven fabric or painting can be displayed with great precision.

System Configuration



Resolution 1280 x 960 SXGA Images, Versatile Design Make Every Presentation A Winner

Other functions

- Quick change of angle of view (2 settings stored in memory)
- Camera/PC input selector
- Pointer indication
- Switching between a camera and PC input via RS-232C interface
- Book holder



Rear panel

The AV-P1000 has a comprehensive array of input/output connectors, including an RS-232C serial interface, allowing control of useful functions from a personal computer. Adding to this flexibility, images can be input from a PC source and the AV-P1000's output can be switched between camera or external PC. Output resolution from VGA (640 x 480) to SXGA (1280 x 960) is available via an industry standard 15-pin "D" connector, in addition to 75-ohm composite video outputs for connection to a video monitor or TV receiver/monitor.

Camera head rotation control for camera panning

A handy camera panning function lets you display surrounding objects such as large presentation materials on a wall, or even the entire interior of a conference hall.



Flip-type close-up lens

Switching between normal shots and close-ups is quick and easy with this unique lens. And you'll never misplace a lens, because it's never necessary to change it.

Slide film holder

8-point* character clearly displayed

Documents and reports are shown with SXGA quality. Characters down to 8 points can be clearly shown without black blur or flickering. A high-contrast character mode is available for even greater legibility.

*When fonts such as Arial Bold are used.

16 pt
14 pt
8 pt

8 Point Letter Visible

Side light (left and right)

Backlight

Full flat stage

An A4 size document can be zoomed up to the corners. The materials can be moved easily around the A-4 area because there are no obstacles (such as a support). Slide position can be set with ease.



5-position arm with panning camera

The combination of a 5-position arm with a panning camera head makes it possible for you to capture a three-dimensional object from just about any angle you choose. Direct front shooting capability as well as a vertical flip function give your presentations even more versatility.

Wireless remote control

The remote control gives you complete control over the presenter, allowing you to move freely around a room to make your presentation more exciting and entertaining.



Control panel



On-screen display

Fine adjustment of picture characteristics such as a white balance is possible using the remote control and the menu displayed on the monitor. You can also switch to black and white mode to show characters more clearly.

Specifications

General

Power requirements	AC 220 V to 240 V, 50/60 Hz (AV-P1000E) AC 100 to 120 V, 50/60 Hz (AV-P1000U)
Power consumption	1 A (AV-P1000E) 40 W (AV-P1000U)
Operating temperature	5°C to 40°C (41°F to 104°F)
Humidity	30% to 85%
Dimensions (WHD)	740 x 636 x 690 mm (open) (29-3/16" x 25" x 27-3/16") 450 x 236 x 706 mm (closed) (17-3/4" x 9-3/10" x 27-13/16")
Weight	9.2 kg (20.3 lbs.)

Optical

Lens	F2.9 to F3.1, f = 6.4 mm to 32 mm (5x zoom)
Shooting area	350 x 260 mm max. (13-13/16" x 10-1/4") 75 x 56 mm min. (3-1/16" x 2-1/4")
Focal distance	100 mm (3-15/16") above the platform surface (with close-up lens) ∞ to 0.8 m (2.6 ft) (without close-up lens)
Zoom control	Motorized (user control)
Iris	Auto (with fine-tuning)/manual

Lighting

Side lamp	2 x 6 W (fluorescent)
Backlight panel	2 x 6 W (fluorescent)
Backlit area	A4 size, horizontal 297 x 211 mm (11.7" x 8.3")

Camera head

Image pickup device	1/2.7" interline-transfer CCD		
Total number of pixels	1,300,000		
Crawler frequency	RGB output	H	V
	1280 x 960	64.0 kHz	60.0 Hz
	1024 x 768	48.4 kHz	60.0 Hz
	800 x 600	37.9 kHz	60.3 Hz
	640 x 480	31.5 kHz	59.9 Hz
	Video output		
	NTSC	15.734 kHz	59.95 Hz (AV-P1000U)
	PAL	15.75 kHz	50 Hz (AV-P1000E)
White balance	Auto (with fine tuning)/manual		
Contour correction	Available		
Color/monochrome selection	Yes		
Input select	Camera/PC		

Input/output

Input terminals	PC: D-SUB 15-pin x 1, RS-232C: D-SUB 9-pin x 1
Output terminals	RGB: D-SUB 15-pin x 1, BNC x 1 set, Video: RCA x 1 DC: 12 V socket x 1

Accessories

Provided	Instruction manual x 1, power cable x 2, wireless remote control x 1, "AA" battery x 2
Optional	4" LCD color monitor with bracket (TA-AV-Z7U)

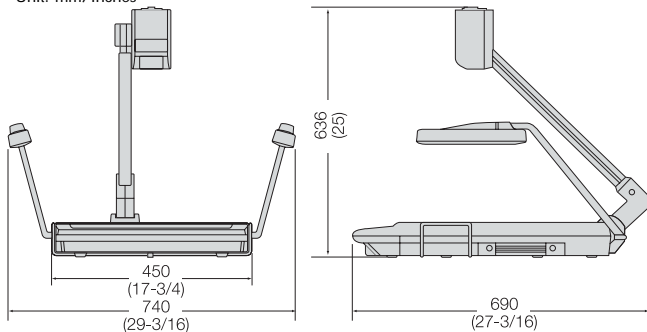
Option



TA-AV-Z7U
4-inch LCD monitor

Dimensions

Unit: mm/inches



D-ILA™ Projectors



DLA-G15



DLA-G11

Design and specifications subject to change without notice.
D-ILA™ is a trademark of Victor Company of Japan, Limited.
Copyright © 2000, Victor Company of Japan, Limited (JVC). All Rights Reserved.

JVC

VICTOR COMPANY OF JAPAN, LIMITED

DISTRIBUTED BY



Certificate No. EC96J1049



ISO9001/No. FM26586

■ The Hachioji Plant of Victor Company of Japan, Ltd., has received ISO14001 Certification under the global standard for environmental management.