



Indoor Network PTZ HD Dome Camera

VN-H557U

Security at its Highest Level



SuperLoLux HD™

The new VN-H557U is a 1080p Super LoLux HD™ network PTZ dome camera that delivers very wide coverage, full HD imagery with automatic day/night performance. At less than half the price of a standard PTZ camera it is ideal for use in school campuses, small businesses, shopping centers, and airports. Audio and alarm support is built-in and the camera allows multi-angle installation. With an MTBF of 30,000 hours, the VN-H557U is designed to provide many years of exceptional performance.

Key features:

- 1920 x 1080 Full HD (H.264 High Profile, Motion JPEG)
- 10x optical zoom, 10x digital zoom
- 350 deg. Non-endless Pan/Tilt performance
- SLL sensitivity 0.45 lux color
- 3DNR, Privacy mask, Motion detection
- Alarm IN / OUT function
- Audio communication
- SD card recording
- Normal PoE / 24VAC / 12VDC power supply
- Multi angle installation available
- MTBF 30,000 Hours

The VN-H557U camera features 10x optical zoom with 350° pan and 120° tilt operation. And, with JVC's famous Super LoLux HD™ technology, it delivers brilliant high-definition resolution and remarkable light sensitivity and produces color images at just 0.45 lux. The camera features powerful dual stream operation (30ips / 30ips JPEG / H.264 High Profile), along with SD card recording with alarm record function and direct MPEG 4 export. It also has 3D dynamic noise reduction and supports the latest ONVIF protocol for network cameras (Profile S).

Panels

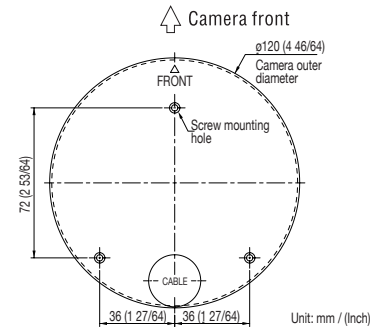


Terminal Panel



SD Card Slot Panel

Direct Mount Diagram



Specifications

| Camera | |
|--------------------------------|--|
| Image Device | 1/2.8" CMOS |
| Number of effective pixels | 2Mega pixels, (1920 H x 1080 V) |
| Minimum illumination (typical) | 0.9 lx (F1.8, 50IRE, 1/30) |
| < B&W mode > | 0.7 lx (F1.8, 50IRE, 1/30) |
| White balance | ATW/AWC |
| Wide dynamic range function | Active gamma (Easy wide-D) |
| Backlight compensation | Yes (4 areas are selectable) |
| Shutter speed | Select from menu (1/60 s to 1/10,000 s) |
| Lens | |
| Zoom ratio | 10x optical |
| Max. aperture ratio | F1.8 |
| Auto focus | Easy AF/One push AF |
| Mechanism | |
| Preset position | 100 positions |
| Panning | -75 to +175° |
| Panning speed | 0.1°/s to 300°/s |
| Tilting | -5° to 185° |
| Tilting speed | 0.1°/s to 200°/s |
| General | |
| Alarm I/O | Input x 2, Output x 2 |
| Power supply | AC24V/DC12V/ PoE |
| Power consumption | 1.2 A (24 VAC) / 12.95 W (PoE) |
| Operating temperature range | 14 °F to 122 °F (-10 °C to 50 °C) |
| < recommended > | < 32 °F to 104 °F (0 °C to 40 °C) > |
| Dimensions | ø 4-3/4 inches x 6-3/4 inches (ø 120 mm (D) x 172 mm (H)) |
| Weight (approx.) | 2.1 lbs (.95 kg) |

| Network | | |
|----------------------------------|---|--|
| Network interfaces | RJ-45 (Cat 5): 10 BASE-T/100 BASE-TX | |
| Protocol | IPv4, HTTP, TCP, RTSP/RTCP/RTP, ICMP, UDP, IGMP, DNS, DHCP, ARP, FTP Client, SMTP, NTP, RTSP/RTCP/RTP | |
| Picture | Resolution (pixel) | 1920x1080, 1280x960, 1280x720, 720x480, 640x480, 640x360, 352x240, 320x240 |
| | Compression | Motion JPEG, H.264 (High/Baseline) |
| Frame rate | H.264: | 1920x1080, 30fps, 30, 25, 15, 10, 7.5, 5, 3, 2, 1 fps |
| | JPEG: | 30, 15, 10, 7.5, 5, 3, 2, 1 fps |
| Internal storage capacity | SDHC Card Slot | |
| Access protection | 3 levels password, IP address filtering | |
| Motion detection | Yes | |
| Web server | Yes | |
| Data transmission | Unicast / Multicast | |
| System requirement (recommended) | | |
| OS | OS: Microsoft Windows XP professional*, Windows Server 2003*, Windows Server 2008 R1*/R2*, Windows Vista (Business*, Enterprise*, Ultimate*), Windows 7 (Professional*, Enterprise*, Ultimate*) | |
| CPU | CPU: Intel Core2 Duo 2.4GHz or higher | |
| Memory | More than 1 GB | |
| HDD space | More than 512 MB | |
| Display / Video card | 1,024 x 768 pixels, true color (24-bit or 32-bit) | |

*Specifications are tentative and subject to change without notice. All product names stated in this document are trademarks or registered trademarks of their respective companies. Marks such as TM, ®, and © are omitted in this document.

DISTRIBUTED BY

pro.jvc.com

JVC