

JVC®

The Perfect Experience

17" PROFESSIONAL LCD DISPLAY MONITOR

GD-17L1G

Stylish and Versatile LCD Display Monitor
Ideal for Diverse Applications

TENTATIVE



- Simple and stylish with space-saving design
- PC and video inputs for flexible integration into systems
- Built-in AC adaptor with detachable cable for simplified installation
- Excellent visibility with wide viewing angles: 140° H and 130° V
- High contrast ratio: 500:1 (typical)
- Excellent picture brightness of 300cd/m²
- IR remote control
- Slim, low-profile bezel gives excellent visibility, especially where multiple units are side by side
- Built-in, front mounted stereo speakers (2W + 2W)
- Control lock defeats front panel controls
- BNC video input adaptor included
- Designed to be mounted flush against the wall using the VESA 100 mm pitch holes in rear panel
- Tilting desktop stand supplied as standard
- VESA 100 mm pitch holes in base of stand

Elegant yet practical design with wide viewing angles make the GD-17L1G into a remarkably versatile monitor, indispensable in today's demanding environments.

Whether being used stand-alone or rack-mounted, this versatile professional LCD monitor can be counted on to exceed expectation. It is packed with beneficial features. Its slim rectangular design combined with VESA mounting holes provide a vast number of possibilities for mounting and installing. Whether to be used as an individual commercial information monitor or to equip a multi-screen surveillance control room, JVC's new GD-17L1G is the clear choice for top performance.

PC and Video Inputs

The GD-17L1G is equipped with three separate types of video input: Component (Y/R-Y/B-Y), S-video (Y/C) and composite video. Graphics from a PC can be displayed up to SXGA resolution (1280 x 1024) and are input via a D-sub 15 pin terminal.

Built-in AC Adaptor with Detachable Cord

The AC power supply (120V or 230V, 50/60Hz) is built-in to the monitor and has a detachable power cord, thus making the power installation neat and simple.

Excellent Visibility

The TFT-LCD monitor provides crisp bright pictures for easy viewing. A wide horizontal viewing angle of 140° and a vertical viewing angle of 130° (Up 67°/Down 63°), plus a high contrast ratio of 500:1, enable the monitor to be located in raised positions for viewing by larger audiences. In such elevated installations monitor control is easily achieved with the IR remote control, supplied as standard with the monitor.

Simple and Stylish Design

The stylishly designed GD-17L1G has smooth, flush surfaces that are attractive and which also simplify installation. What's more, the slim 28mm bezel provides a clear view of displayed images, which is especially beneficial when multiple monitors are installed. The control buttons on the front panel do not protrude and so help prevent unintentional operation. Because the cooling vents are located at the top and sides of the rear panel of the GD-17L1G, it can be installed flush against the wall.

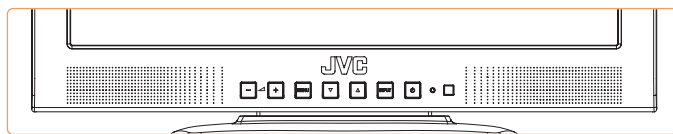
Control lock on/off function

The control buttons on the front panel can also be locked to prevent unintentional operation.

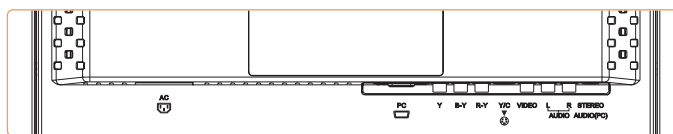
BNC Video Connector

The display monitor is equipped with a BNC – RCA adaptor to enable connection to a BNC cable.

Front Panel



Rear Panel



Specifications

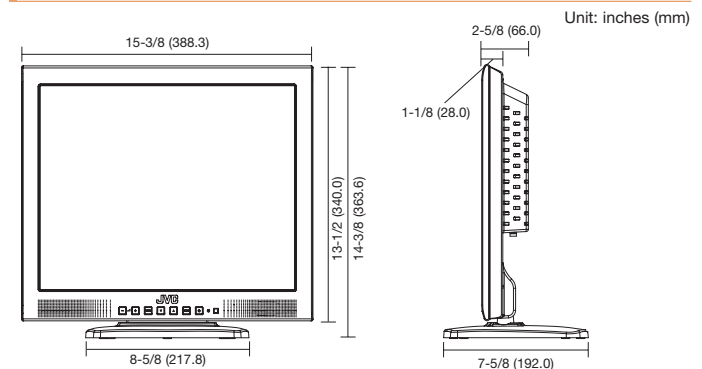
Type	LCD video and PC display monitor	
Color system	NTSC, PAL	
LCD panel	Size	17-inch / 432 mm (W x H: 337.9 x 270.3 mm)
	Type	TFT active matrix
	Pixels	1280 x 1024
	Luminance	300cd/m ²
	Contrast ratio	500:1
	Viewing angle (typical)	Horizontal: 140°, Vertical: 130° (Up 67°/Down 63°)
	Display colors	16,200,000
Power requirements	120 V / 220-240 V AC, 50/60 Hz	
Power consumption	40W	
Input terminals	Component (Y/B-Y/R-Y)	1 line: RCA x 3
	Y/C Separated	1 line: mini-DIN 4-pin x 1
	Composite Video	1 line: RCA x 1
	PC (Analog RGB)	1 line: D-sub 15-pin x 1
	Input signal	Video
Input signal	PC	f _h : 31.5 kHz – 64 kHz f _v : 56 Hz – 70 Hz
	Supported range of resolutions	VGA, SVGA, XGA and SXGA
	Audio input	L/R: RCA x2, 3.5 mm stereo jack x1
Audio Speaker	Built-in stereo speakers (2W + 2W)	
Remote control	IR remote	
Cabinet color and material	Front: Dark gray, ABS resin. Rear: Black, ABS resin.	
VESA mounting	100 mm pitch VESA standard mounting holes are located in both the monitor's rear panel and in the base of the tilting stand	
Dimensions (W x H x D)	Without stand	15-3/8 x 13-1/2 x 2-5/8 inches / 388.3 x 340.0 x 66.0 mm
	With stand	15-3/8 x 14-3/8 x 7-5/8 inches / 388.3 x 363.6 x 192.0 mm
Weight	Without stand	11.0 lbs / 5.0 kg
	With stand	12.5 lbs / 5.7 kg

Accessories Provided

- Power cable
- VGA cable
- Adjustable tilting desktop stand (Forwards: 5° / Back Wards: 20°)
- Remote control handset with battery
- BNC – RCA adaptor (x 1)



Dimensions



Design and specifications subject to change without notice

JVC®

DISTRIBUTED BY

TENTATIVE

JVC PROFESSIONAL PRODUCTS COMPANY
DIVISION OF JVC AMERICAS CORP.
1700 Valley Road, Wayne, N.J. 07470
TEL: (973) 317-5000, (800) 582-5825 FAX: (973) 317-5030
Internet Web Site <http://www.jvc.com/pro>
E-mail: proinfo@jvc.com

JVC CANADA INC.
21 Finchdene Square, Scarborough, Ontario M1X 1A7
TEL: (416) 293-1311 FAX: (416) 293-8208
Internet Web Site <http://www.jvc.ca/en/pro/>

Printed in Japan
ICN-0328

"JVC" is the trademark or registered trademark of Victor Company of Japan, Limited.