

ProHD

DT-N24H

23.8" Broadcast Studio LCD Monitor



FEATURES

Supports 3G/HD/SD-SDI and 2K-SDI

DT-N24H supports 3G-SDI (SMPTE 425M) Level-A & B, 2K-SDI (SMPTE 2048-2) 60p Level-A & B display.

Full HD LCD panel with LED backlighting

The monitor features a 1920×1080 pixel full HD resolution LCD panel with LED backlighting, with 178° wide viewing angle (H & V), 1000:1 contrast, and 16.7M color depth.

ITU-709 color space

The DT-N24H is compatible with ITU-709 standard color space for HDTV broadcasting.

Selectable gamma preset

The DT-N24H supports gamma preset selection from: 2.2, 2.4 and 2.6.

Audio meters display

The DT-N24H supports SDI/HDMI embedded audio 2-ch meters display, and analog audio 2-ch meters display.

TSL UMD control and display

The DT-N24H monitor supports UMD controlling input via RS485 and RS232 port, compatible with TSL 3.1 and 4.0 UMD protocol.

USB firmware upgradable

The Monitor offers a USB port on the rear side, for firmware upgrade. Users can download firmware to a USB disk, and the upgrade operation is directly on the monitor, without PC or other adaptors.

Other features

- SDI Timecode (LTC, VITC1&2) and AFD info display
- R/G/B/Mono, False color, Zebra stripes display
- Peaking focus assist display mode
- H/V delay, freeze frame display mode
- Safety area selection: 80%, 85%, 90%, 93%, 95%
- Scale marker: 4:3, 13:9, 14:9, 15:9, 1.85:1, 2.35:1
- Native scan, over scan and normal scan selection
- GPI control via RS485 port connection
- 3 User setting data storage
- TALLY light with adjustable brightness
- 4 User definable function keys
- Easy One-key Menu operation
- Built-in speaker (2.5W, 8Ω)
- AntonBauer battery plate for field application (V-mount plate in an option)



Rear Terminals

- RS-485 ×2.....UMD input and output
- RS-485 ×1.....GPI input
- BNC ×3.....Y/Pb/Pr input
- BNC ×2.....CVBS input and loop output
- RS-232C ×1.....UMD input
- VGA ×1.....VGA input
- HDMI-A ×2.....HDMI input and loop output
- BNC ×2.....SDI 1 input and loop output
- BNC ×2.....SDI 2 input and loop output
- RCA ×2.....Analog audio L and R input
- USB ×1.....USB firmware upgrade

ProHD

DT-N24H

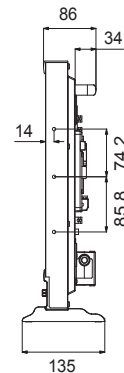
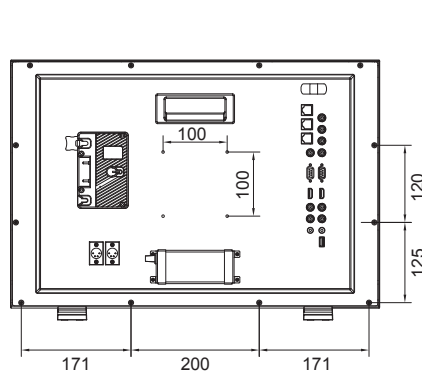
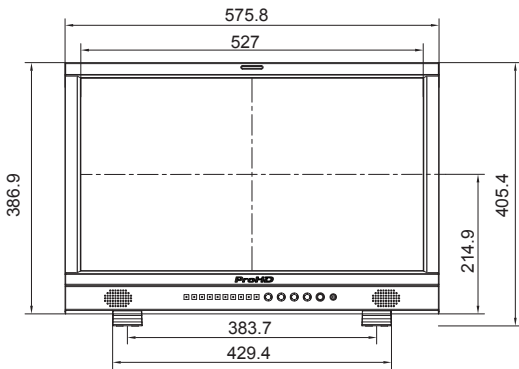
23.8" Broadcast Studio LCD Monitor



Specifications

LCD Display		Compatible video formats		
Size	23.8 inches wide format	CVBS	NTSC / PAL	
Display area	527mm×296mm	Y/Pb/Pr	480i, 480p, 576i, 576p, 720p (50 / 60), 1080i (50 / 60)	
Resolution	1920×1080 (Full HD)	HDMI	480i / 576i / 480p / 576p	
Color depth	16.77 million		1080i (60 / 59.94 / 50)	
Aspect ratio	16:9		720p (60 / 59.94 / 50)	
Brightness	300cd/m ²		1080p (60 / 59.94 / 50 / 30 / 29.97 / 25 / 24 / 23.98)	
Contrast	1000:1		1080psf (30 / 29.97 / 25 / 24 / 23.98)	
Viewing Angle	178°(H) / 178°(V)	SDI	SMPTE-2048-2	
Surface treatment	Non-glass		2048×1080p (23.98 / 24 / 25 / 29.97 / 30 / 50 / 59.94 / 60)	
Backlighting	LED		2048×1080i (50 / 59.94 / 60)	
Working voltage	DC / battery 11V-17V		SMPTE-425M	1080p (60 / 59.94 / 50)
			SMPTE-274M	1080i (60 / 59.94 / 50)
Power consumption	Max 36W		SMPTE-RP211	1080p (30 / 29.97 / 25 / 24 / 23.98)
Working temperature	0°C - +40°C			SMPTE-296M
Working humidity	10% - 90%	SMPTE-125M	720p (60 / 59.94 / 50)	
Storage temperature	- 15°C - + 60°C	ITU-R BT.656	480i (59.94)	
Storage humidity	10% - 90%	VGA	576i (50)	
VESA standard	100mm×100mm (M4×4mm screw)		640×480, 800×600, 1024×768, 1152×864, 1280×768, 1280×960, 1280×1024, 1600×1200	
Dimensions	576×387×87mm			
Net weight (w/o stand)	7.2 Kg			

External dimensions



Package



AC-DC power adaptor (bundled on rear panel)

Gold mount plate (Pre-installed)

Desktop stand

JVCKENWOOD

E. & O.E. Design and specifications subject to change without notice
 Copyright 2016, JVCKENWOOD Corporation. All Rights Reserved.
 Manufactured by SWIT Electronics Co., Ltd.