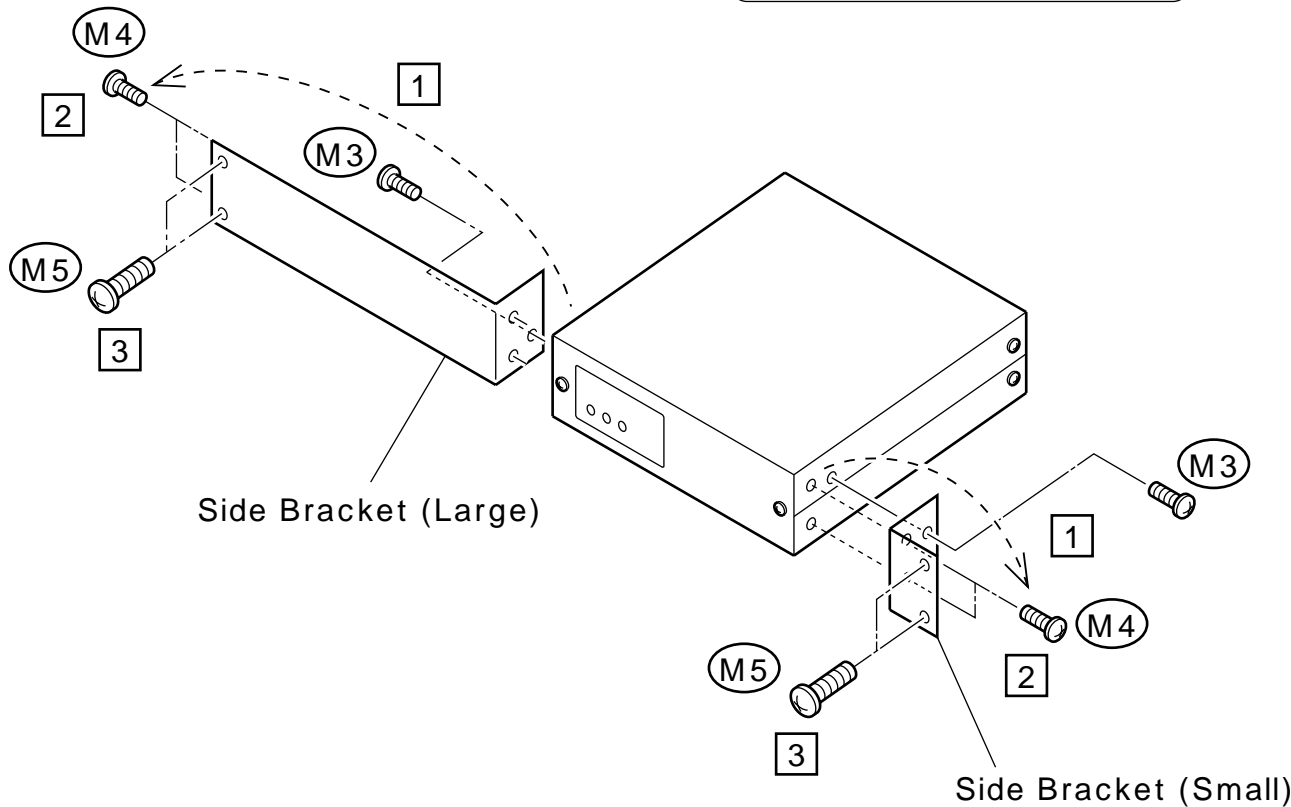


VN-A1U Rack-mounting a VN-A1U Unit

(VN-BK10)

Provided Accessories

Side Bracket (Small)	—	1
Side Bracket (Large)	—	1
Screw (Large), M5 x 10 mm	—	4
Screw (Medium), M4 x 10 mm	—	4



Procedure

- 1 Remove the mounting screws from the side panels of the VN-A1U unit.

(Note)

A total of 2 screws should be removed, one from each of the left and right sides.

- 2 Attach the Side Brackets
 - Attach the Side Bracket using the 4 provided screws (Medium: M4) and the 2 screws removed in 1.

(Note)

Attach the Side Bracket (Large) to the left side panel.

- 3 Rack-mount the VN-A1U unit.
 - Fix the unit to the rack using the 4 provided screws (Large: M5).