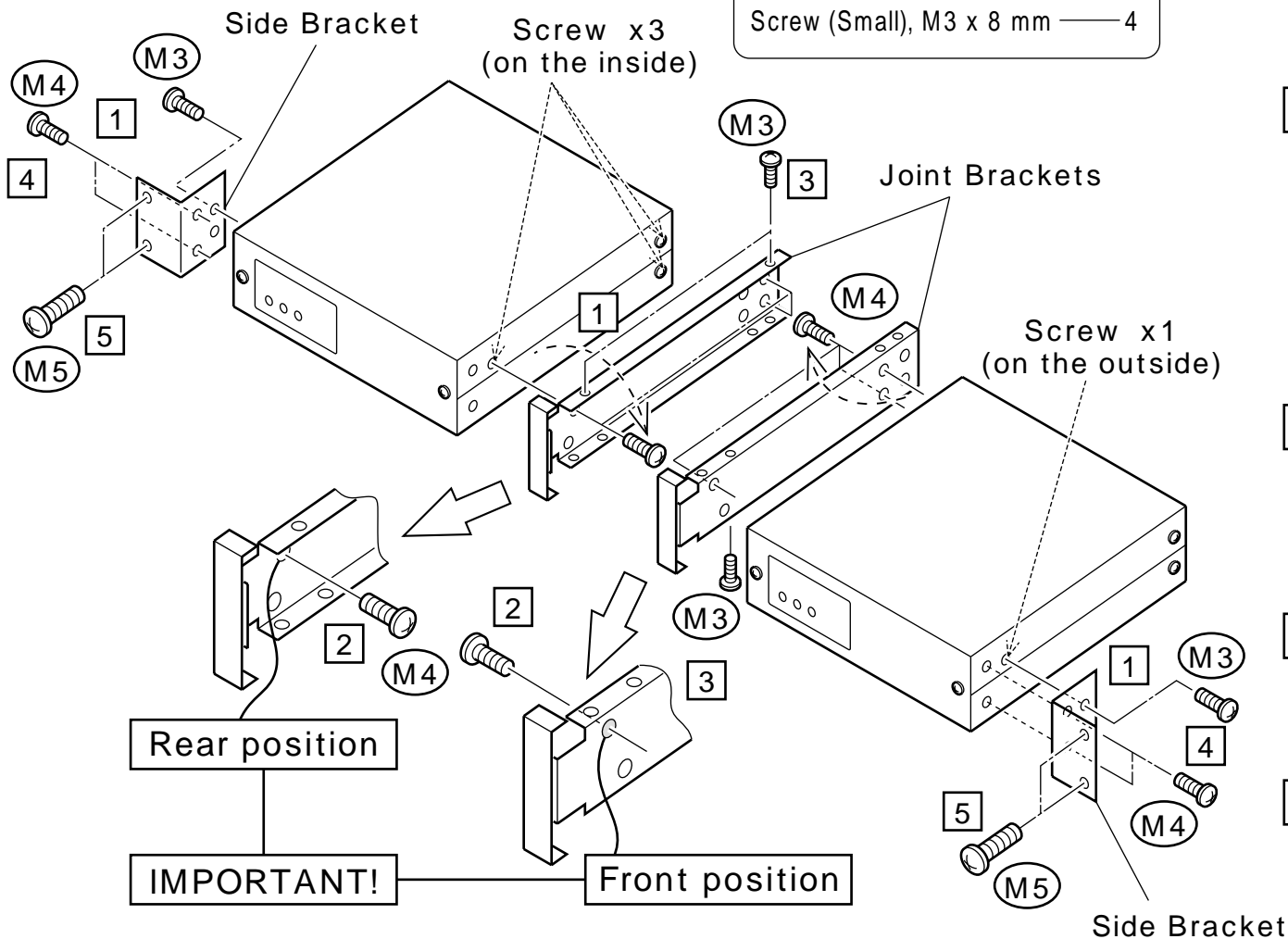


# VN-A1U Combining and Rack-mounting the two VN-A1U Units (VN-BK11)

## Provided Accessories

Joint Bracket	2
Side Bracket	2
Screw (Large), M5 x 10 mm	4
Screw (Medium), M4 x 10 mm	4
Screw (Small), M3 x 8 mm	4



## Procedure

- 1 Remove the mounting screws from the side panels of the VN-A1U units.  
(Note)  
From each unit, remove all the 3 screws from the front and back of the inside panel.  
From each unit, remove the 1 screw from the front of the outside panel. (A total of 8 screws)
- 2 Attach the Joint Brackets.  
(Note)  
The attachment holes are different for the left and right units.  
**IMPORTANT**  
Use the rear hole of the left unit and the front hole of the right unit.  
Use 6 of the 8 screws removed in 1.
- 3 Combine the left and right units using the Joint Bracket.
  - Tighten the 4 provided screws (Small: M3) in the 4 positions at the top and bottom of the Joint Brackets.
- 4 Attach the Side Brackets.
  - Attach the Side Brackets using the 4 provided screws (Medium: M4) and the remaining 2 of the 8 screws removed in 1.
- 5 Rack-mount the VN-A1U unit.
  - Fix the units to the rack using the provided 4 screws (Large: M5).